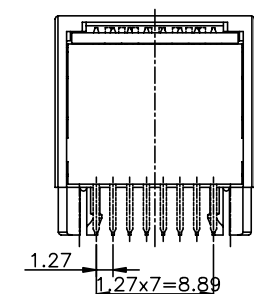
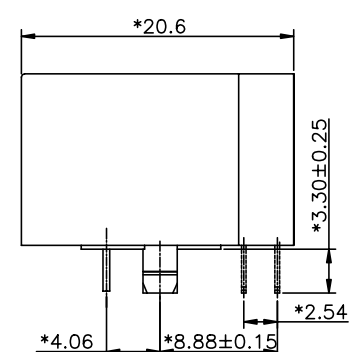
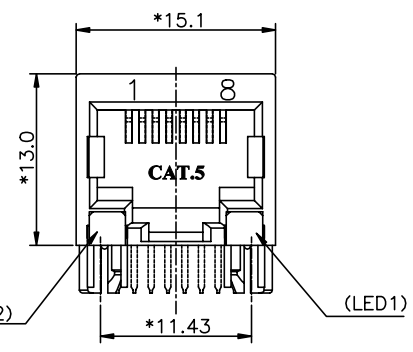
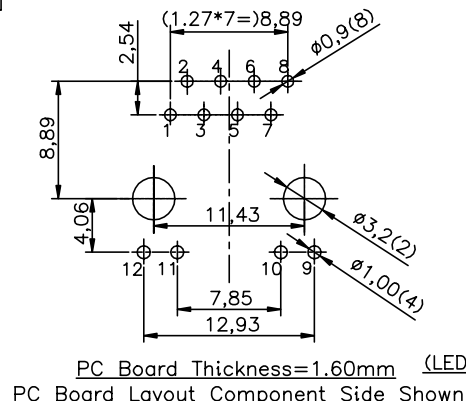


A1RFRD10

REVISION RECORD				
REV	ECO	DESCRIPTION	DRFT	CHKD
△		ADD PART NO.	Yison 11/02/05	



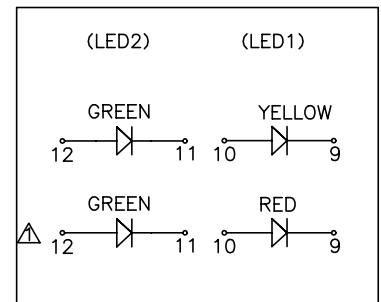
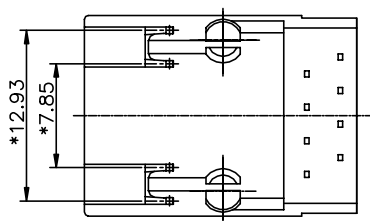
PC Board Thickness=1.60mm  
PC Board Layout Component Side Shown

NOTE:

ELECTRICAL:

1. VOLTAGE RATING : 125 VAC RMS.
2. CURRENT RATING : 1.5 AMP.
3. CONTACT RESISTANCE : 60 MILLIOHMS MAX.
4. INSULATION RESISTANCE : 1000 MEGOHMS MIN @ 500 VDC.
5. DIELECTRIC STRENGTH : 1000 VAC RMS 60Hz, 1MIN.
6. CATEGORY 5 CHARACTERISTIC:

Frequency	Near-End Cross Talk dB, MIN.	Return Loss dB, MIN.	Attenuation dB, MAX.
1.0 MHZ	65	23	0.1
4.0 MHZ	65	23	0.1
8.0 MHZ	62	23	0.1
10.0 MHZ	60	23	0.1
16.0 MHZ	56	23	0.2
20.0 MHZ	54	23	0.2
25.0 MHZ	52	14	0.2
31.25 MHZ	50	14	0.2
62.5 MHZ	44	14	0.3
100.0 MHZ	40	14	0.4



PART NUMBER: E6588-600X2X-L

△ J-LED1:RED LED2:GREEN  
P-LED1:YELLOW LED2:GREEN

PLATING: 1- 3u" 4-30u"  
2- 6u" 5-50u"  
3-15u"

MECHANICAL:

1. HOUSING MATERIAL : PBT+G.F30%. UL94V-0. COLOR BLACK
2. INSERT : PBT+G.F30%. UL94V-0. COLOR BLACK
3. PCB : FR-4, 0.6mm THICKNESS, DOUBLE SIDE
4. CONTACT MATERIAL : PHOSPHOR BRONZE t=0.35mm.
5. PLATING : GOLD PLATING OVER NICKEL.
6. OPERATING LIFE : 750 CYCLES MIN.

ENVIRONMENTAL:

1. STORAGE : -40°C TO +85°C.
2. OPERATION : -40°C TO +85°C.
3. WAVE SOLDERING TEMPERATURE: 230°C ~250°C (5~10 SECONDS).
4. RoHS COMPLIANT.

MATES WITH MODULAR PLUG CONFORMING TO FCC PART 68, SUBPART F.

← MM (INCH) →		DFTO SAMMY	DATE 09/30/03
TOLERANCES EXCEPT AS NOTED		CHKDASHELLY	DATE 2006/7/21
MM		MFO	DATE
.0 ± 0.15	±	APPVLLUSHENG	DATE 2006/7/21
.00 ± 0.075	±	MATERIAL :	
.000 ± 0.05	±	ANGLES ± 0.5	
THIRD ANGLE PROJECTION		QTY :	
		FINISH :	
		SCALE :	

	RoHS Compliant		
FULL RISE ELECTRONIC CO., LTD			
TITLE			
20.57 C5 LED JACK			
DRAWING NO. GE653024-LC			SIZE A3
/PART NO. SEE NOTE			REV 1
DO NOT SCALE DRAWING			SHEET X OF Y

8 | 7 | 6 | 5 | 4 | 3 | 2 | 1