

D

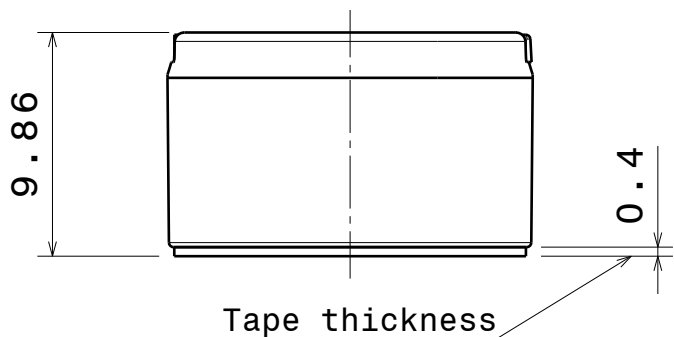
C

B

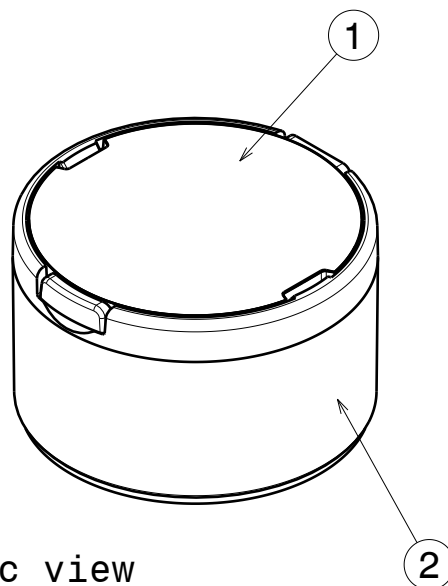
A

4

4



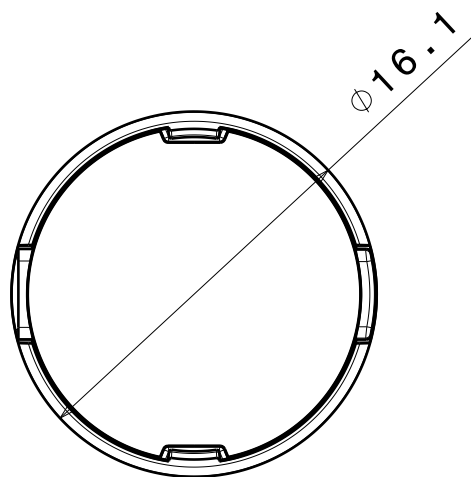
Front view



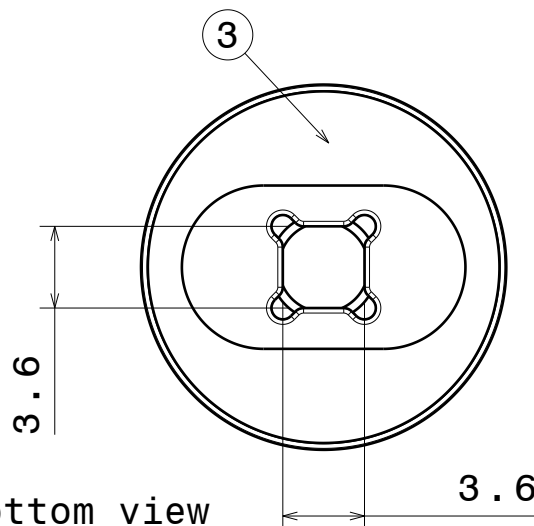
Isometric view

3

3



Top view



Bottom view

2

2

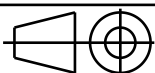
INDEX	PART NO	DESCRIPTION	MATERIAL	COLOUR
1	F12953	TINA-M2	PMMA	clear
2	F10637	TINA-XP-H-TAPE-WHT	PC	white
3	F11840	TINA-TAPE3	Acrylic foam	black

Tolerances if not otherwise shown
According to DIN ISO 2768-1
Linear measures: class C
According to DIN ISO 2768-2
Form and position: class L

LEDiL

Ledil Oy
Salorankatu 10
FIN 24240 SALO
Finland

THIRD ANGLE PROJECTION:



DRAWING TITLE

FA13093_TINA-M2

This drawing is the property
of LEDiL Oy. It may not be
reproduced, copied or
communicated without a written
agreement with LEDiL Oy.

SIZE PART NUMBER

A4

FA13093

SCALE

1:1

WEIGHT

3,7 g

SHEET

1/1

D

A

1

1