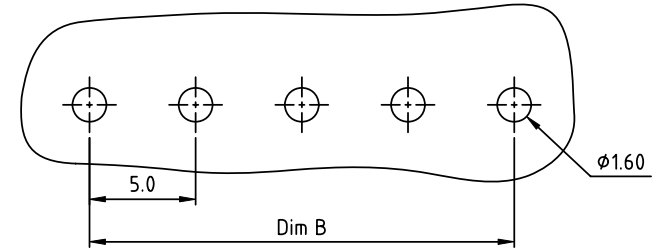
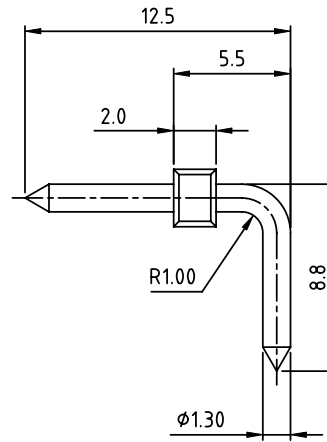
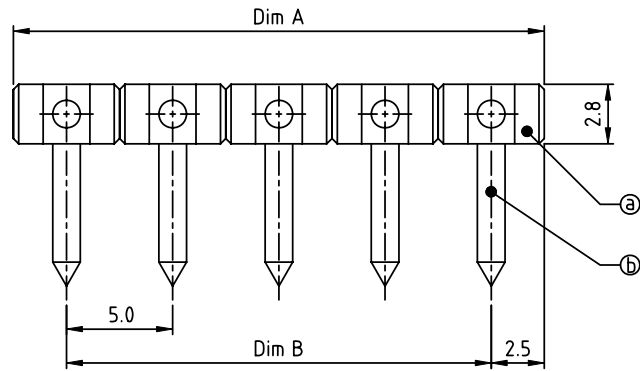


PRODUCT NUMBER	PITCH
OPxx0Fx000J0G	5.00mm



RECOMMENDED P.C.B. LAYOUT  
TOP VIEW

Material:

- Item (a) Terminal(housing): Thermoplastic (UL94V-0)
- Item (b) Contact pin: Brass, Tin or Au plated.

Electrical:

- Voltage rating: 300V
- Current rating: 10A
- Withstanding Voltage: 1.6KV
- Operating temperature: -40°C to +115°C
- Soldering temperature: 260°C±5°C/5 Sec
- Safety Approval: cULus

N = Number of poles  
Dim L=Nx5.0  
Dim B=(N-1)x5.0

poles	Tolerance
2-5p	±0.10
6-9p	±0.15
10-13p	±0.20
14-17p	±0.25
18-21p	±0.30
22-24p	±0.40

PART NO.: OP xx 0 F x 0 00J0 G

- Solid block
- No. of poles
- 02 2 poles
- 03 3 poles
- ... ..
- 24 24 poles
- 0 Tin plating 120u" Min
- 1 Gold plating 10u"
- 2 Gold flash
- RoHS compliant (lead<4%) In copper Alloy

mat'l. code		surface ASME Y14.5	tolerance ASME Y14.5	projection	product family
ltr ecn no dr date		tolerances unless otherwise specified		MM	TERMINAL BLOCK
angles		X.±0.5	X.X±0.3	scale	title
X*±1"		X.XX±0.1			TERMINAL BLOCK
dr		EVIN ZHONG	041714		PLUGGABLE SOCKET,RIGHT ANGLE,BEND PIN
enr		EVIN ZHONG	041714		sheet 1 of 1 size
chr		HANKE FENG	041714		OPxx0Fx000J0G A4
appd		SHI JUN	041714		type CUSTOMER Drawing
sheet index	revision sheet	A	1		