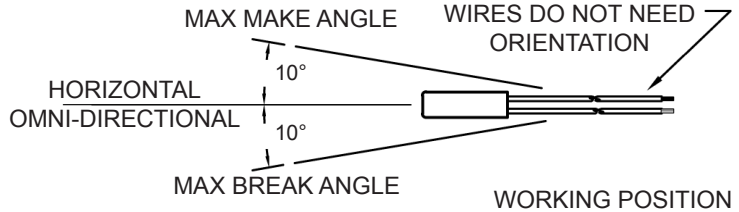


**Part Number: PD6045-LC**  
**Power Tilt Switch**  
**Product Data Sheet**

**PICTURE**

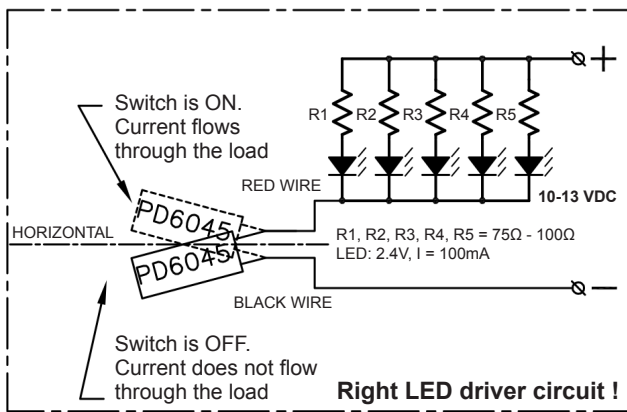


**OPERATION**



**✓ RoHS Compliant**

**WIRING DIAGRAM**

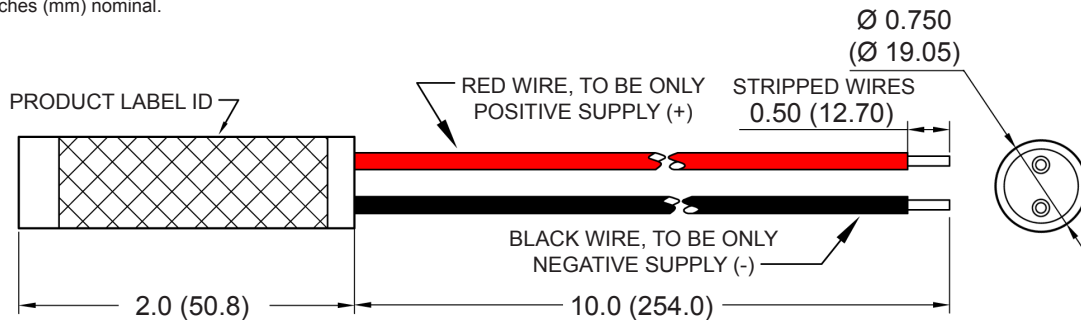


**FEATURES**

- Resistant to ambient environmental conditions
- Housing Material: ABS plastic
- Construction: Epoxy encapsulated
- Red Wire: #16 AWG stranded copper, PVC insulation, to be positive DC supply
- Black Wire: #16 AWG stranded copper, PVC insulation, to be negative DC supply
- Unless specified all tolerances are  $\pm 0.032$
- Mechanical stress resistant
- Limited anti vibration characteristics
- Reverse polarity protection

**DIMENSIONS**

Drawings not to scale.  
 All dimensions in inches (mm) nominal.



**SPECIFICATION**

DC Voltage Range	5 - 30 VDC
Load Current Range	0.001 A Min - 1.5 A Max
Make Angle Above Horizontal	10° Max
Break Angle Below Horizontal	10° Max
Differential Angle	15° Max
Operation Temperature	-40°C to 176°C

As part of the company policy of continued product improvement, specifications may change without notice. Our sales office will be pleased to help you with the latest information on this product range and the details of our full design and manufacturing service. All products are supplied to our standard conditions of sale unless otherwise agreed in writing.

**Phone: (1) 973 777 6900**      **www.comus-intl.com**      **Fax: (1) 973 777 8405**