

NOTES:

1. MATERIALS AND FINISHES:

BODY & CONTACT - BeCu, GOLD PLATING
INSULATOR - PTFE, NATURAL

2. ELECTRICAL:

A. IMPEDANCE: 50 OHM
B. FREQUENCY RANGE: DC - 26.5 GHz
C. VSWR (RETURN LOSS): 1.20 MAX. (-20.80 dB MIN.) @ DC - 10 GHz
1.40 MAX. (-15.60 dB MIN.) @ 10 - 18 GHz
1.50 MAX. (-14.00 dB MIN.) @ 18 - 26.5 GHz
D. DIELECTRIC WITHSTANDING VOLTAGE: 500 VRMS, MIN.

3. MECHANICAL:

A. DURABILITY: 100 CYCLES MIN. WHEN MATED FULL DETENT JACK
500 CYCLES MIN. WHEN MATED LIMITED DETENT JACK
1000 CYCLES MIN. WHEN MATED A SMOOTH BORE JACK
B. TEMPERATURE RANGE: -65°C TO +165°C
C. MATING FORCES (PER DSCC #94007):
ENGAGEMENT:
FULL DETENT: 15 LBS (67 N) MAX.
LIMITED DETENT: 10 LBS (45 N) MAX.
SMOOTH BORE: 2 LBS (9 N) MAX.
DISENGAGEMENT:
FULL DETENT: 2 LBS (9 N) MIN.
LIMITED DETENT: 2 LBS (9 N) MIN.
SMOOTH BORE: 0.5 LBS (2.2 N) MIN.

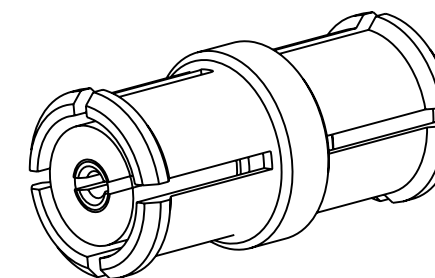
4. PACKAGING:

A. QUANTITY: SINGLE PACK
B. MARKING: BAG TO BE MARKED
"AMPHENOL RF, SMP-FS2A-696 AND DATE CODE".

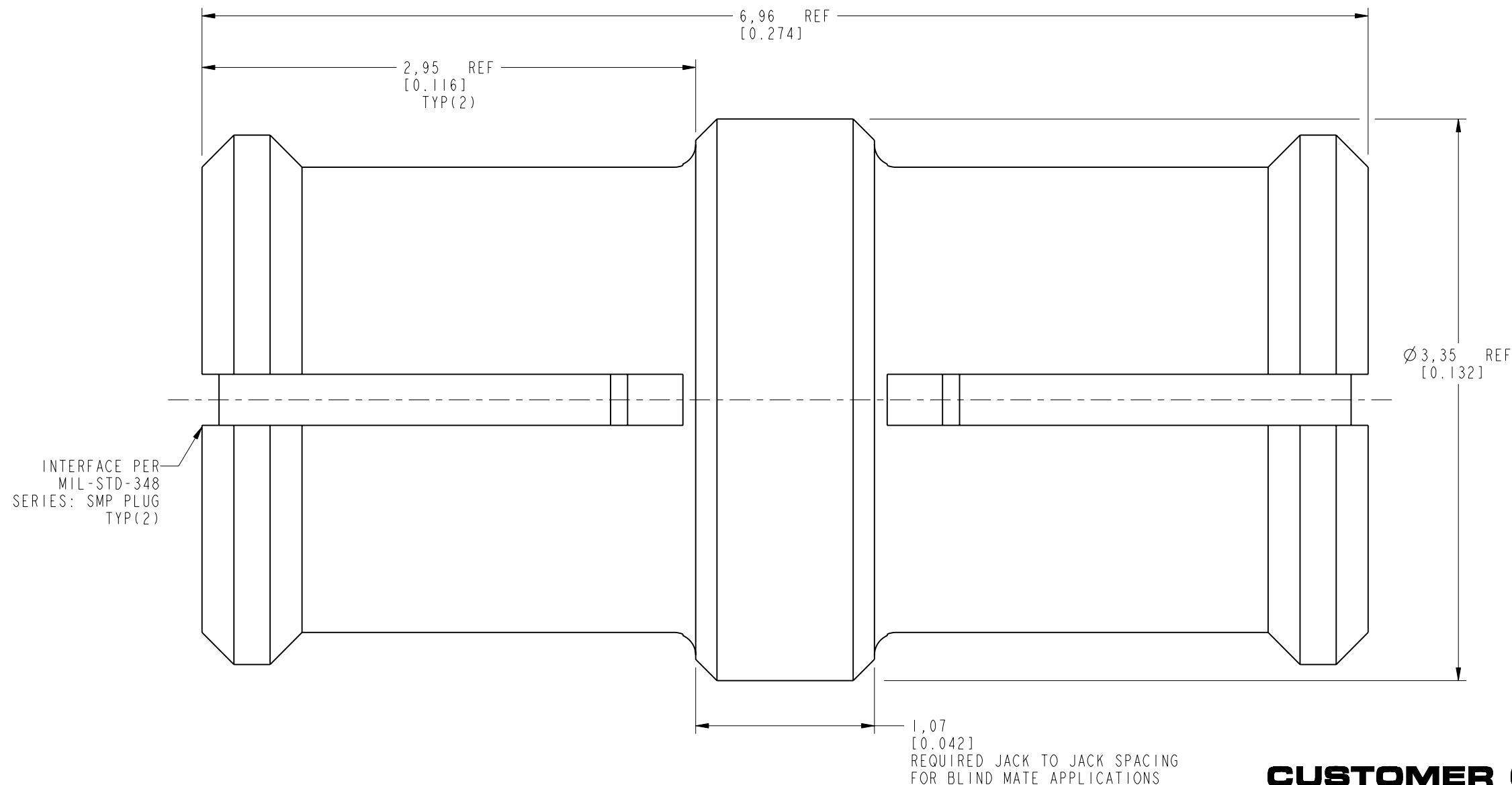
THIRD ANGLE PROJ.

REVISIONS

| REV | DESCRIPTION | DATE | ECN | APPR |
|-----|-----------------|-----------|-------|------|
| A | RELEASE TO MFG. | 09-Nov-18 | 09601 | EH |



SCALE 8.000



CUSTOMER OUTLINE DRAWING

ALL OTHER SHEETS ARE FOR INTERNAL USE ONLY

| | | | | | | |
|--|------------------------------|----------|-----------|-------------------------------------|---|-----------------------|
| <p>UNLESS OTHERWISE SPECIFIED, DIMENSIONS ARE IN METRIC AND TOLERANCES ARE: <0.5mm ± 0.05mm 0.5 - 6mm ± 0.1mm 6 - 30mm ± 0.2mm 30 - 120mm ± 0.3mm ANGLES ± 1°</p> | MATERIAL | DRAWN | DATE | TITLE | <p>Amphenol RF www.amphenolrf.com</p> | |
| | SEE NOTES | W. ZENG | 12-Nov-18 | SMP STR BULLET ASSEMBLY, 6.96 MM | | |
| <p>NOTICE - These drawings, specifications, or other data (1) are, and remain the property of Amphenol corp. (2) must be returned upon request; and (3) are confidential and not to be disclosed to any person other than those to whom they are given by Amphenol Corp. the furnishing of these drawings, specifications, or other data by Amphenol Corp., or to any other person to anyone for any purpose is not to be regarded by implication or otherwise in any manner licensing, granting rights to permitting such holder or any other person to manufacture, use or sell any product, process or design, patented or otherwise, that may in any way be related to or disclosed by said drawings, specifications, or other data.</p> | REFERENCE | ENGINEER | DATE | <p>SCALE: 33.0:1.0 SHEET 2 OF 2</p> | DRAWING NO. SMP-FS2A-696 | |
| | EAR# 8529 | S. DUAN | 15-Nov-18 | | ITEM NO. SMP-FS2A-696 | |
| | REF: SMP-FSBA-696 | APPROVED | S. HSIEH | DATE | <p>DWG SIZE B REV A</p> | PART NO. SMP-FS2A-696 |
| | CONFIGURATION LEVEL: In Work | CAD FILE | | 15-Nov-18 | | |
| FINISH | | | | | | |