

6

5

4

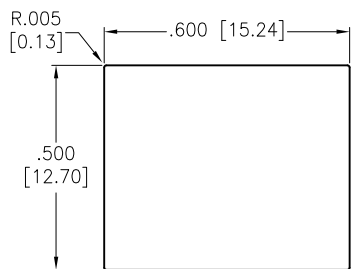
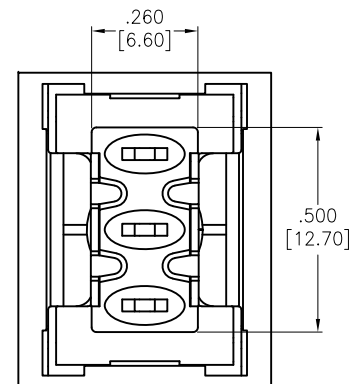
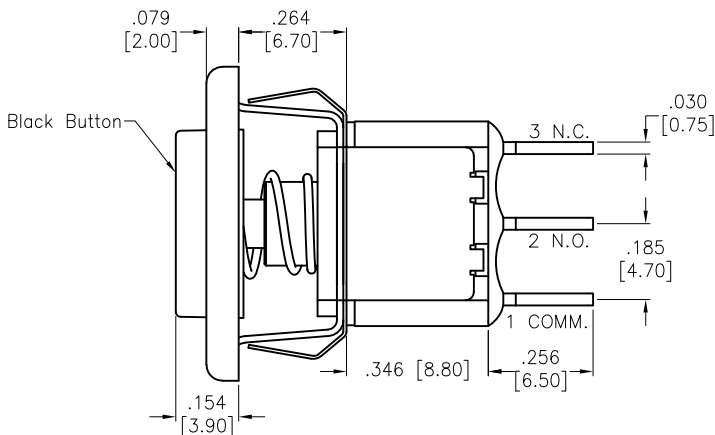
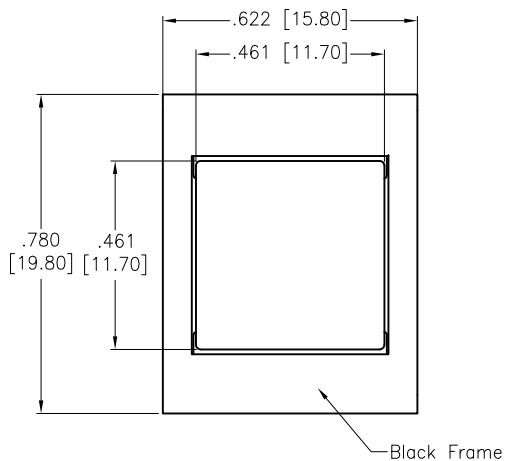
3

2

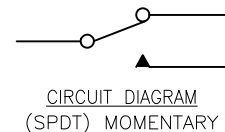
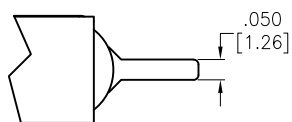
1

APPROVED: _____
 DATE: _____ TITLE: _____

Rev	AWO #	Description	Date	Appr
-		RELEASED	2/8/21	



P.C MOUNTING



SPECIFICATIONS:

Material:
 Movable Contact: Copper Alloy, Silver Plated
 Terminal: Copper Alloy, Silver Plated
 Electrical:
 Voltage rating: 120VAC or 38VDC
 Current rating: 1 Amps
 Contact resistance: 10 mΩ max
 Insulation resistance: 1,000 Mohms min
 Dielectric withstanding voltage: 1,500V RMS @Sea level
 Temperature Rating:
 Operating temperature: -30°C to +85°C
 Environmental:
 Lead free, RoHS compliant



UNLESS OTHERWISE SPECIFIED ALL DIMENSIONS ARE INCHES [MM] TOLERANCES: EXCEPT AS NOTED		 909 Rahway Avenue, Union, NJ 07083 Phone: 908-687-5000 Fax: 908-687-5710	
INCHES HOLES			
.X ± .10	∅X ± .10	TITLE SNAP-ACTING PUSH BUTTON SWITCH, BLACK FRAME SPDT, ON-MOMENTARY, SILVER PLATED, PCB TYPE	
.XX ± .020	∅XX ± .015		
.XXX ± .015	∅XXX ± .010		
APPROVALS		DATE	
DRAWN	LH	2/8/21	
CHECKED	AC	2/8/21	
APPROVED			
SIZE	PART NO.	REV.	
X	SW-PB8-AE222QE-1	-	
REF:	S00198T	SCALE:	NTS
		SHEET 1 OF 1	

6

5

4

3

2

1