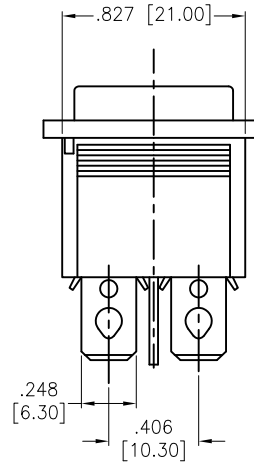
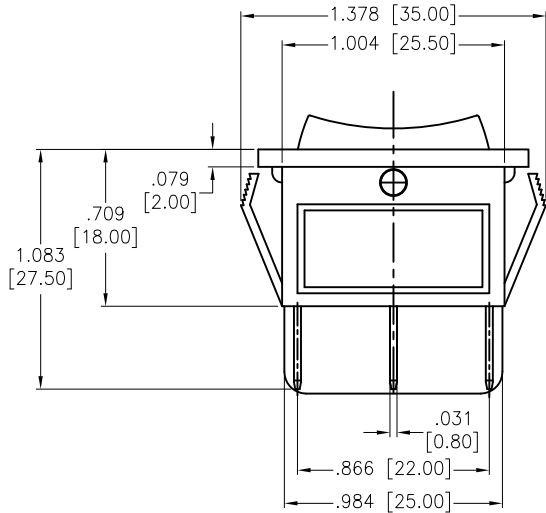
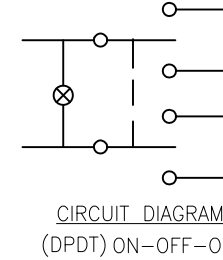
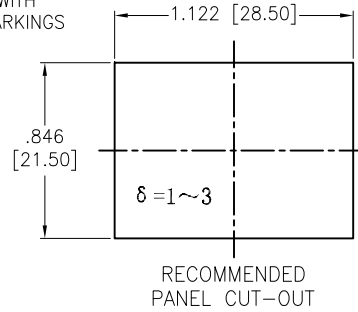
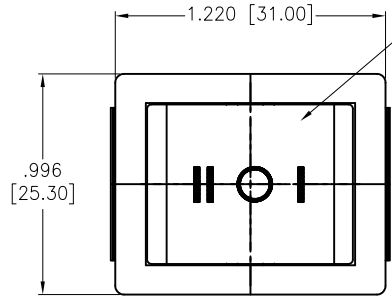


APPROVED: _____
 DATE: _____ TITLE: _____

Rev	AWO #	Description	Date	Appr
-		RELEASED	10/28/20	
A		UPDATE SPEC.	8/31/21	WX/RC



SW-R1-4E-E-LXX-0

	Lighted Actuator	Actuator Markings
W	Lighted White	1
R	Lighted Red	2
G	Lighted Green	3
Y	Lighted Yellow (Amber)	4
B	Lighted Blue	5
O	Lighted Orange	6

Replace "x" in P/N with the corresponding switch color and marking

SPECIFICATIONS:

Body: Nylon 66, Color Black, Rated UL 94V-0

Terminal: Brass, Silver plated

Button: Nylon 66, Lighted color (See Chart). White color markings

Electrical:

The rated load: 250V AC, 16A

125V AC, 20A

Contact resistance: 50 mohms max

Insulation resistance: 100 Mohms min

Dielectric withstanding voltage: 1500 VAC/5S min

Mechanical:

Electrical life: 10000 Cycles min

Temperature Rating:

Operating temperature: -25°C to +85°C

Environmental:

Lead free, RoHS compliant

UNLESS OTHERWISE SPECIFIED
 ALL DIMENSIONS ARE INCHES [MM]
 TOLERANCES: EXCEPT AS NOTED

INCHES	HOLES
.X ± .10	Ø.X ± .10
.XX ± .020	Ø.XX ± .015
.XXX ± .015	Ø.XXX ± .010

**ADAM
 TECH**

909 Rahway Avenue,
 Union, NJ 07083
 Phone: 908-687-5000
 Fax: 908-687-5710

APPROVALS		DATE
DRAWN	OW	10/28/20
CHECKED	AC	10/28/20
APPROVED		

TITLE		
SWITCH, MEDIUM ROCKER, DPDT, ON-OFF-ON, QC .250 [6.35MM], LIGHTED		
SIZE	PART NO.	REV.
X	SW-R1-4E-E-LXX-0	A
REF:	SCALE:	SHEET
-	NTS	1 OF 1