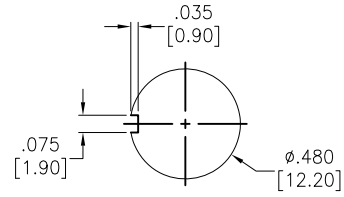
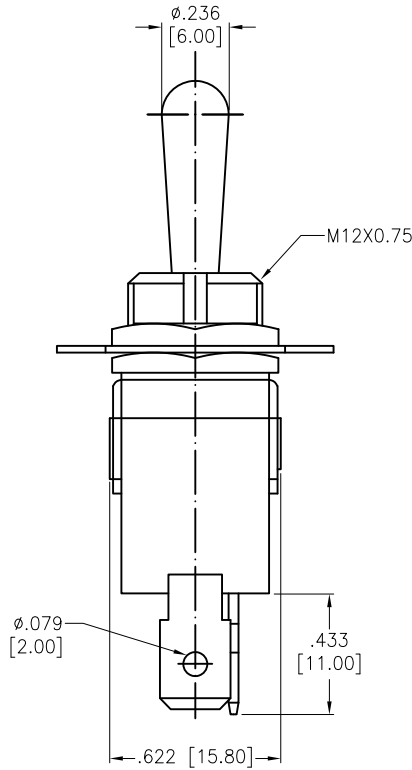
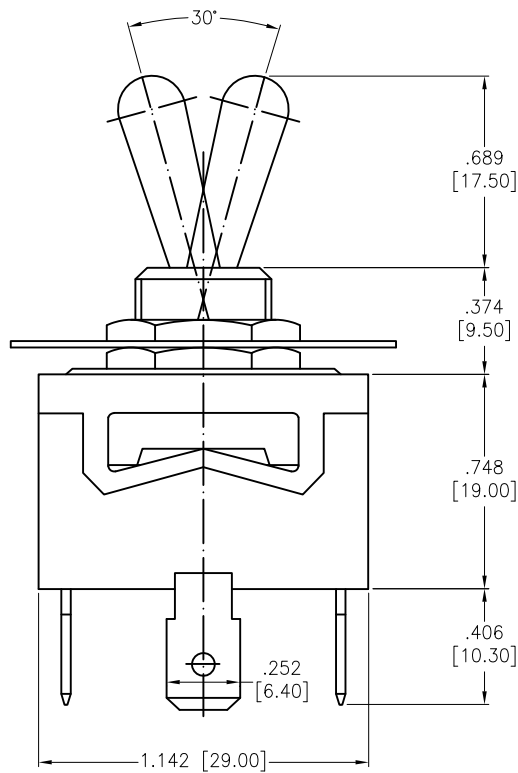
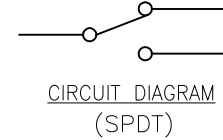


APPROVED: _____
 DATE: _____ TITLE: _____

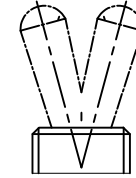
Rev	AWO #	Description	Date	Appr
-		RELEASED	8/10/21	



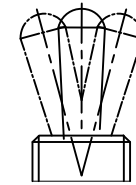
RECOMMENDED
 PANEL CUT-OUT



CIRCUIT DIAGRAM
 (SPDT)



2 WAY



3 WAY

SW-T1-2X-B-K1

- B=ON-ON
- D=ON-(ON)
- E=ON-OFF-ON
- F=ON-OFF-(ON)
- G=(ON)-OFF-(ON)

SPECIFICATIONS:

Material:

Body: Bakelite, Color: Black

Lever: Brass, Nickel plated

Terminal: Brass, Silver plated

Electrical:

Rating: 10A @ 250V AC

15A @ 125V AC

Contact resistance: 50 mΩ max

Insulation resistance: 1000 MΩ min (500VDC)

Dielectric withstanding voltage: 1500V AC for 1 minute

Electrical Life: 10,000 cycles

Temperature Rating:

Operating temperature: -25°C to +85°C

Environmental:

Lead free, RoHS compliant



UNLESS OTHERWISE SPECIFIED ALL DIMENSIONS
 ARE INCHES [MM]. TOLERANCES: EXCEPT AS NOTED

INCHES		HOLES	
.X	± .10	Ø.X	± .10
.XX	± .020	Ø.XX	± .015
.XXX	± .015	Ø.XXX	± .010

DRAWN	WX	8/10/21
CHECKED	RC	8/10/21
APPROVED		

THIS DRAWING CONTAINS INFORMATION THAT IS PROPRIETARY
 AND SHOULD NOT BE USED WITHOUT PRIOR WRITTEN
 PERMISSION FROM ADAM TECH



909 Rahway Avenue,
 Union, NJ 07083
 Phone: 908-687-5000
 Fax: 908-687-5710

TITLE SWITCH, TOGGLE MEDIUM, SPDT,
 PC TERMINAL .250" [6.35MM]

SIZE	PART NO.	REV.
X	SW-T1-2X-B-K1	-
REF: S00204C	SCALE: NTS	SHEET 1 OF 1