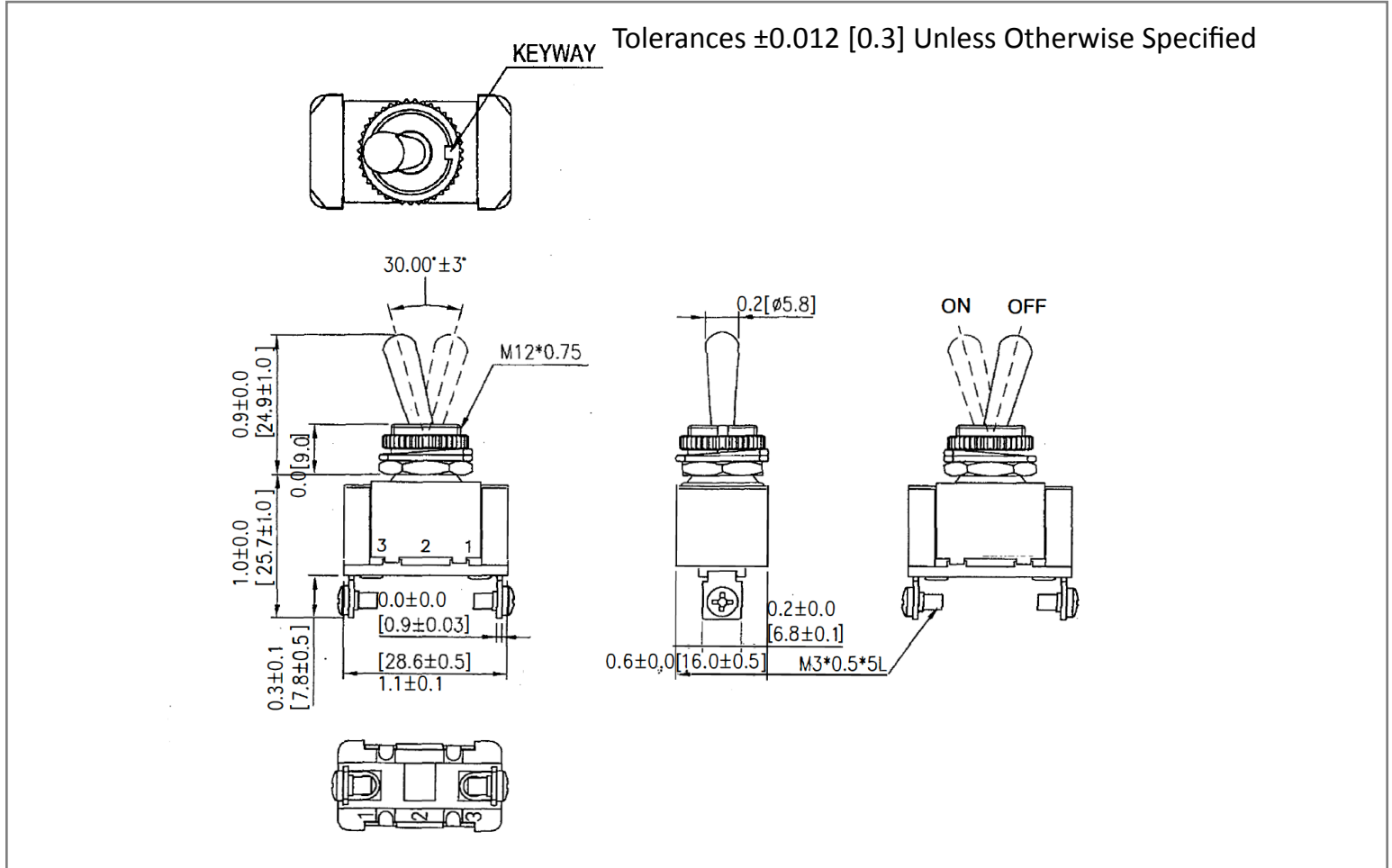
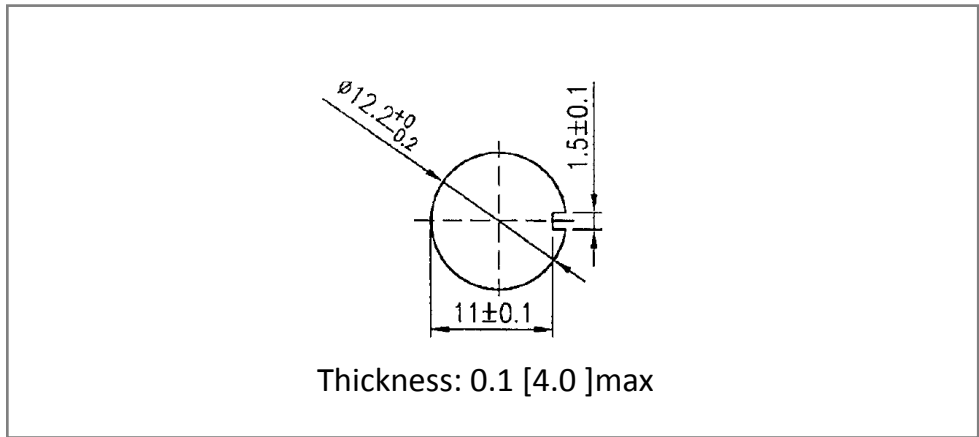


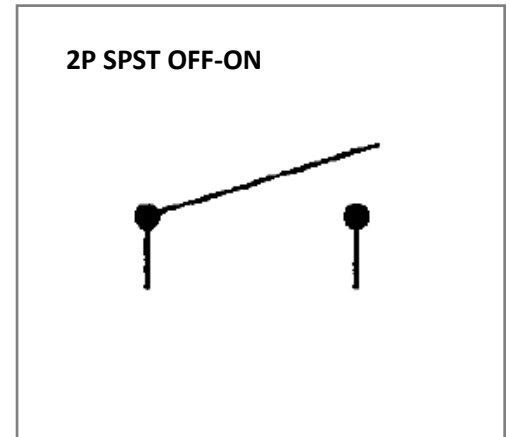
Mechanical Dimensions: Inches [mm]



Mounting Hole



Circuit Diagram



Electrical Specifications

Rating	20A 12V DC, 10A 24V DC
Contact Resistance	50m ohm Max
Insulation Resistance	DC 500V 100M ohm Min
Dielectric Strength	AC 1500V 1 minute
Operation Temperature	0°C ~ 65°C

Material Specifications

1 hex nut assy
1 spring washer
1 knurl nut assy

Rev	Date of issue	Revision Notes	Designed	Approved
A	02-28-2019	Initial Drawing	RC	OH