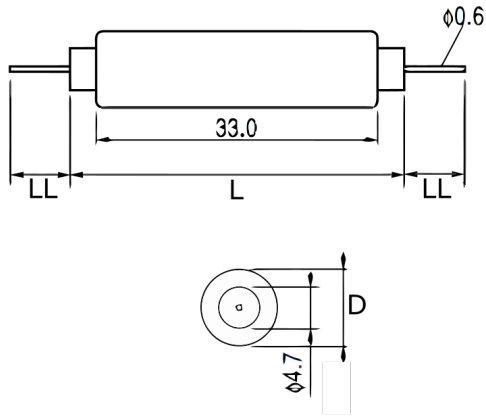


## TRS3-90MCR01

Aliases (USED90MCR01000)

KEMET, TRS, Thermal Reed Switch, Axial, 2.5C Temperature Accuracy, High Reliability, High-Speed Response, Long Operational Life, Excellent Environmental Durability, High Temperature Accuracy, 90°C, Make



Click [here](#) for the 3D model.

### Dimensions

|    |           |
|----|-----------|
| D  | 7mm NOM   |
| L  | 40mm NOM  |
| LL | 8.5mm NOM |

### Packaging Specifications

|                    |           |
|--------------------|-----------|
| Packaging          | Tray, Box |
| Packaging Quantity | 600       |
| Component Weight   | 3.4 g     |

### General Information

|             |   |
|-------------|---|
| Series      | TRS   |
| Type        | Thermal Reed Switch   |
| Style       | Axial   |
| Description | Thermal Reed Switch   |
| Features    | High Reliability, High-Speed Response, Long Operational Life, Excellent Environmental Durability, High Temperature Accuracy |
| Lead        | Wire Leads  |
| RoHS        | Yes   |
| REACH       | Yes   |

### Specifications

|                             |   |
|-----------------------------|---|
| Switching Temperature       | 90C +/-2.5C   |
| Temperature Range           | -20/+130°C  |
| Contact Type                | Make  |
| Voltage DC                  | 200 VDC MAX (Opening/Closing), 1500 VAC/1 minute or 1800 VAC/1 second     |
| Voltage AC                  | 140 VAC MAX (Opening/Closing)   |
| Current                     | 0.5 Amps AC/DC MAX (Opening/Closing), 1 mAmps MIN (5VDC, Opening/Closing) |
| Resistance                  | 150 mOhms MAX (Contact Resistance)  |
| Max Opening/Closing Power   | 35 W (AC)   |
| Max Opening/Closing Voltage | 140 V (AC); 200 V (DC)  |
| Differential Temperature    | 10C Maximum   |