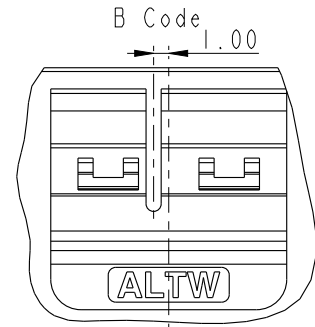
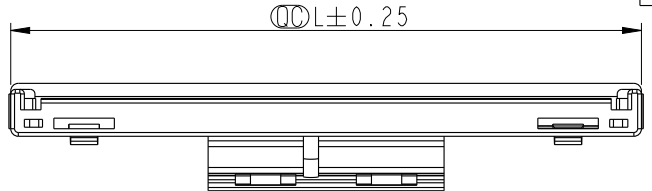


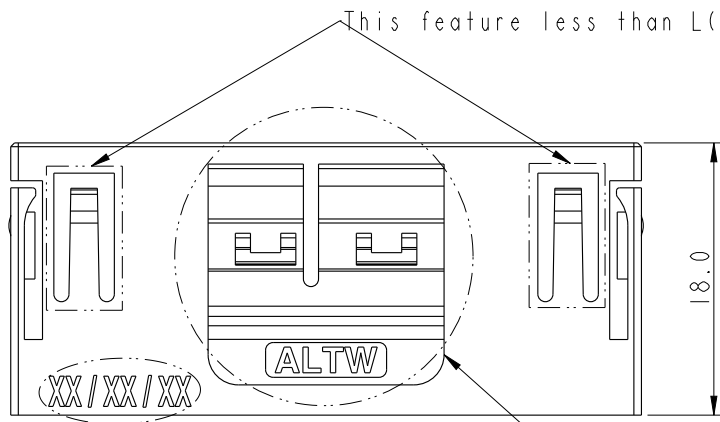
THIS DOCUMENT IS SUBJECT TO CHANGE WITHOUT NOTICE. IT IS CONFIDENTIAL AND A PROPERTY OF AMPHENOL LTW. DISCLOSURE TO THIRD PARTY HAS TO BE AUTHORIZED BY AMPHENOL LTW.

REV.	ECN NO.	DATE	SIGN	DESCRIPTION
A		2021/10/09	Xiaofeng	New Initial
B	C220320	2022/03/02	Xiaofeng	△ X60

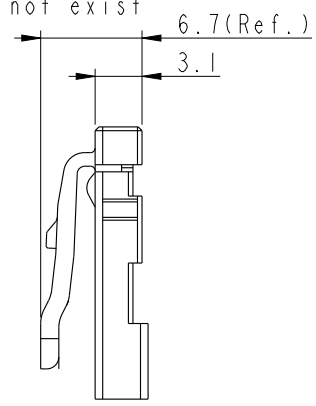
(L Dimensions refer to table)



Detail: A



Detail: A



Laser Etching  
Corresponding Pin Number

ZB- XX NMAN-BN0001

- XX: Number Of Contacts (Pitch)
- AA: 40(P0.9)/20(P1.8)
- AB: 38(P0.9)/19(P1.8)
- AC: 36(P0.9)/18(P1.8)/12(P2.7)
- AD: 34(P0.9)/17(P1.8)
- AE: 32(P0.9)/16(P1.8)
- AF: 30(P0.9)/15(P1.8)/10(P2.7)
- AG: 28(P0.9)/14(P1.8)
- AH: 26(P0.9)/13(P1.8)
- AI: 24(P0.9)/12(P1.8)/8(P2.7)
- AJ: 22(P0.9)/11(P1.8)

Note:

- \*  $\text{Ⓞ}$  Important Dimensions To Check.
- \* Material: Thermoplastic, Black.
- \* FFC
- Recommended Pitch: 1.0mm, 1.5mm, 2.0mm.
- \* WTB
- Recommended Applicable Wire gauge  
22AWG ~ 26AWG
- \* All Parts Are RoHS Compliant.

UNIT: mm		
TOLERANCE		
.X	±0.25	
.XX	±0.1	
.XXX	±0.05	
ANGLES	±1°	

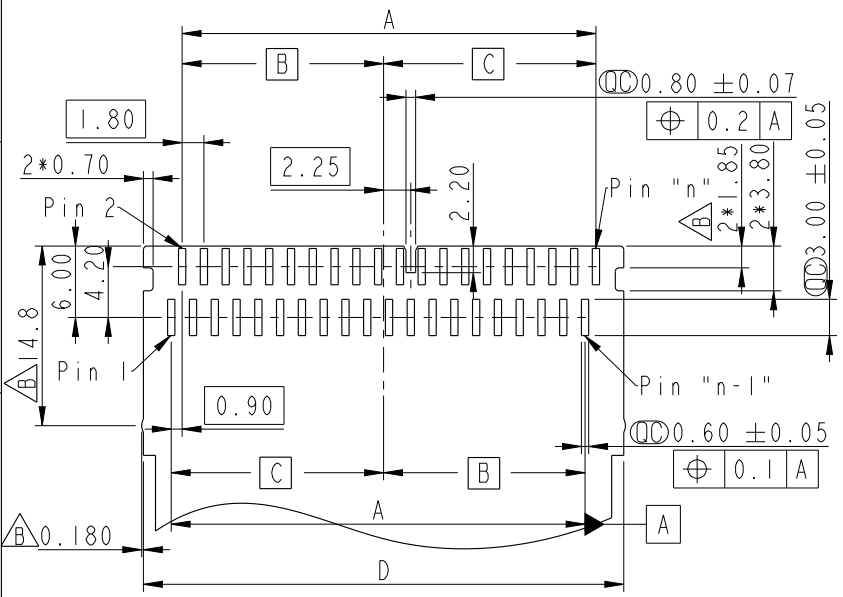
TITLE Z CONN., N SHLD, B, NONE, M			
SCALE 1:1	SIZE A4	SHEET 1 OF 11	
REV. B	WC-REV. .0	$\text{Ⓞ}$ : Inspection item	

**Amphenol LTW**  
安費諾亮泰企業股份有限公司

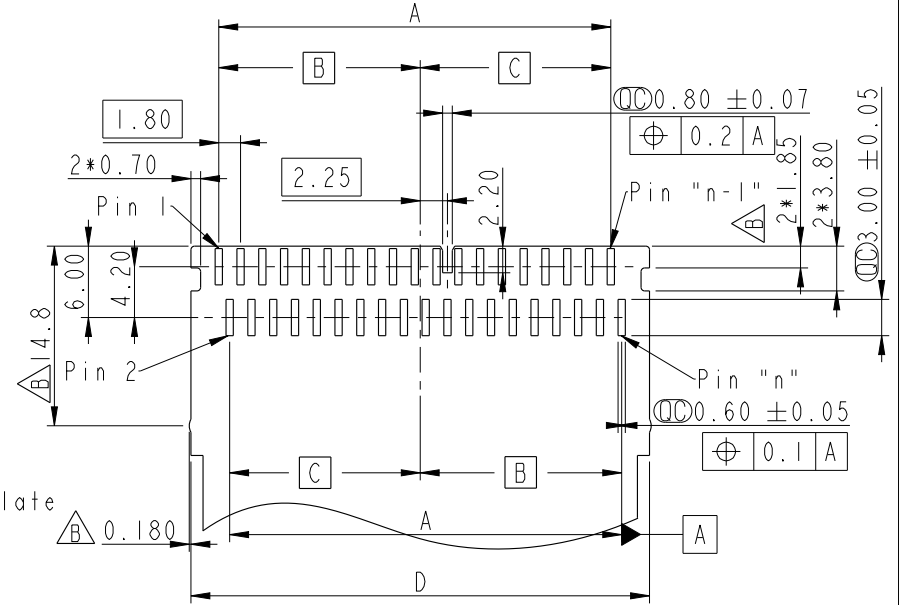
ITEM NO.	DRAWN BY Xiaofeng	DATE 2021/10/09
DWG NO. ZB-XXNMAN-BN0001	CHECKED BY Feng-Li	DATE 2021/10/09
CUSTOMER ALTW	APPROVED BY Jerry	DATE 2021/10/09

THIS DOCUMENT IS SUBJECT TO CHANGE WITHOUT NOTICE. IT IS CONFIDENTIAL AND A PROPERTY OF Amphenol LTW. DISCLOSURE TO THIRD PARTY HAS TO BE AUTHORIZED BY Amphenol LTW.

Flexible Printed Circuit  
Pitch 0.9mm



RECOMMENDED FPC LAYOUT



RECOMMENDED FPC LAYOUT

PIN	L (mm)	A (mm)	B (mm)	C (mm)	D (mm)
24	27.3	19.8	9.45	10.35	25.3
28	30.9	23.4	11.25	12.15	28.9
32	34.5	27.0	13.05	13.95	32.5
36	38.1	30.6	14.85	15.75	36.1
40	41.7	34.2	16.65	17.55	39.7

PIN	L (mm)	A (mm)	B (mm)	C (mm)	D (mm)
22	25.5	18.0	9.45	8.55	23.5
26	29.1	21.6	11.25	10.35	27.1
30	32.7	25.2	13.05	12.15	30.7
34	36.3	28.8	14.85	13.95	34.3
38	39.9	32.4	16.65	15.75	37.9

UNIT: mm

TOLERANCE  
.X ±0.25  
.XX ±0.1  
.XXX ±0.05  
ANGLES ±1°

TITLE  
Z CONN., N SHLD, B, NONE, M

SCALE 1:1 SIZE A4 SHEET 2 OF 11

REV. B WC-REV. .0

QC: Inspection item

**Amphenol LTW**  
安費諾亮泰企業股份有限公司

ITEM NO. ZB-XXNMAN-BN0001

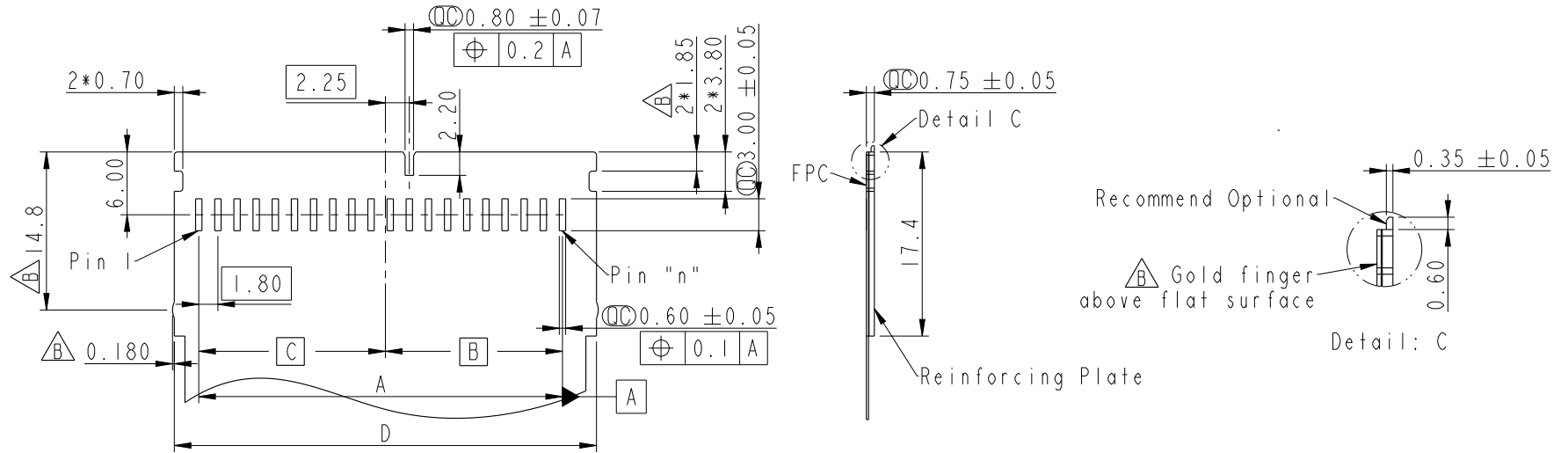
DRAWN BY Xiaofeng DATE 2021/10/09

CHECKED BY Feng-Li DATE 2021/10/09

APPROVED BY Jerry DATE 2021/10/09

CUSTOMER ALTW

Flexible Printed Circuit  
Pitch 1.8mm



RECOMMENDED FPC LAYOUT

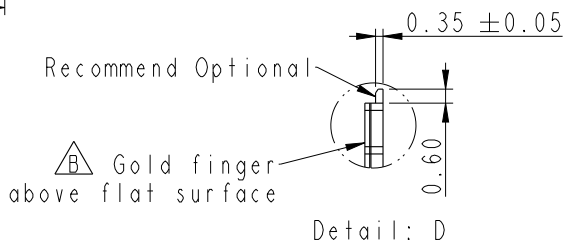
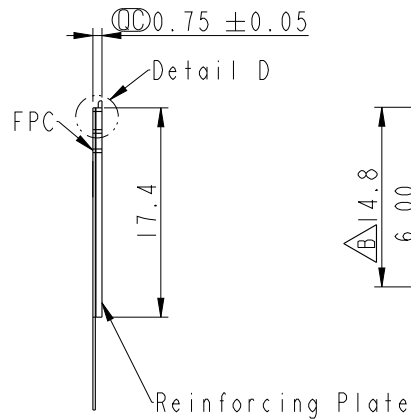
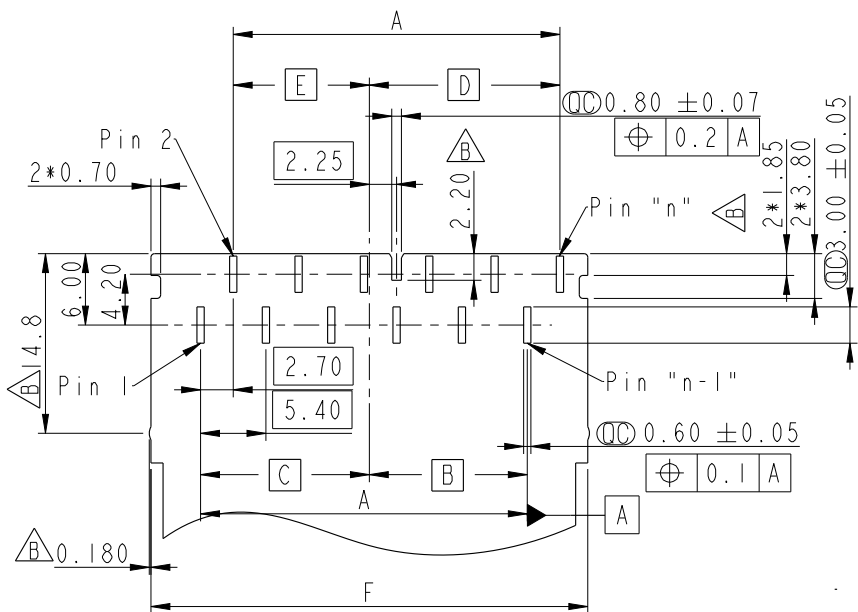
PIN	L (mm)	A (mm)	B (mm)	C (mm)	D (mm)
11	25.5	18.0	9.45	8.55	23.5
12	27.3	19.8	9.45	10.35	25.3
13	29.1	21.6	11.25	10.35	27.1
14	30.9	23.4	11.25	12.15	28.9
15	32.7	25.2	13.05	12.15	30.7
16	34.5	27.0	13.05	13.95	32.5
17	36.3	28.8	14.85	13.95	34.3
18	38.1	30.6	14.85	15.75	36.1
19	39.9	32.4	16.65	15.75	37.9
20	41.7	34.2	16.65	17.55	39.7

UNIT: mm  TOLERANCE .X ±0.25 .XX ±0.1 .XXX ±0.05 ANGLES ±1°	TITLE Z CONN., N SHLD, B, NONE, M		<b>Amphenol LTW</b> 安費諾亮泰企業股份有限公司		ITEM NO ZB-XXNMAN-BN0001	DRAWN BY Xiaofeng	DATE 2021/10/09
	SCALE 1:1	SIZE A4			SHEET 3 OF 11	DWG NO ZB-XXNMAN-BN0001	CHECKED BY Feng-Li
	REV. B	WC-REV. .0	Inspection item	CUSTOMER ALTW	APPROVED BY Jerry	DATE 2021/10/09	

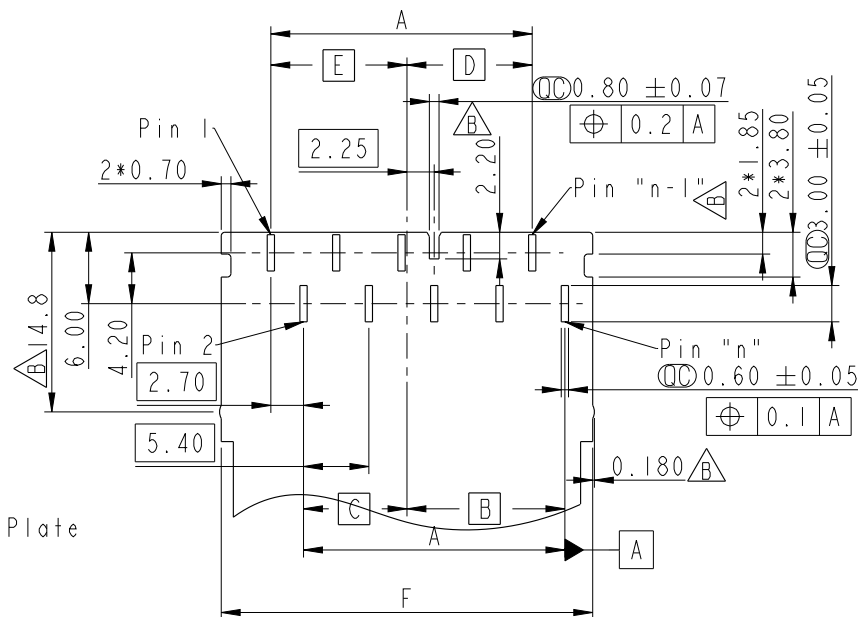
THIS DOCUMENT IS SUBJECT TO CHANGE WITHOUT NOTICE. IT IS CONFIDENTIAL AND A PROPERTY OF Amphenol LTW. DISCLOSURE TO THIRD PARTY HAS TO BE AUTHORIZED BY Amphenol LTW.

THIS DOCUMENT IS SUBJECT TO CHANGE WITHOUT NOTICE. IT IS CONFIDENTIAL AND A PROPERTY OF AMPHENOL LTW. DISCLOSURE TO THIRD PARTY HAS TO BE AUTHORIZED BY AMPHENOL LTW.

Flexible Printed Circuit  
Pitch 2.7mm



RECOMMENDED FPC LAYOUT



RECOMMENDED FPC LAYOUT

PIN	L (mm)	F (mm)	A (mm)	B (mm)	C (mm)	D (mm)	E (mm)
8	27.3	25.3	16.2	7.65	8.55	10.35	5.85
12	38.1	36.1	27.0	13.05	13.95	15.75	11.25

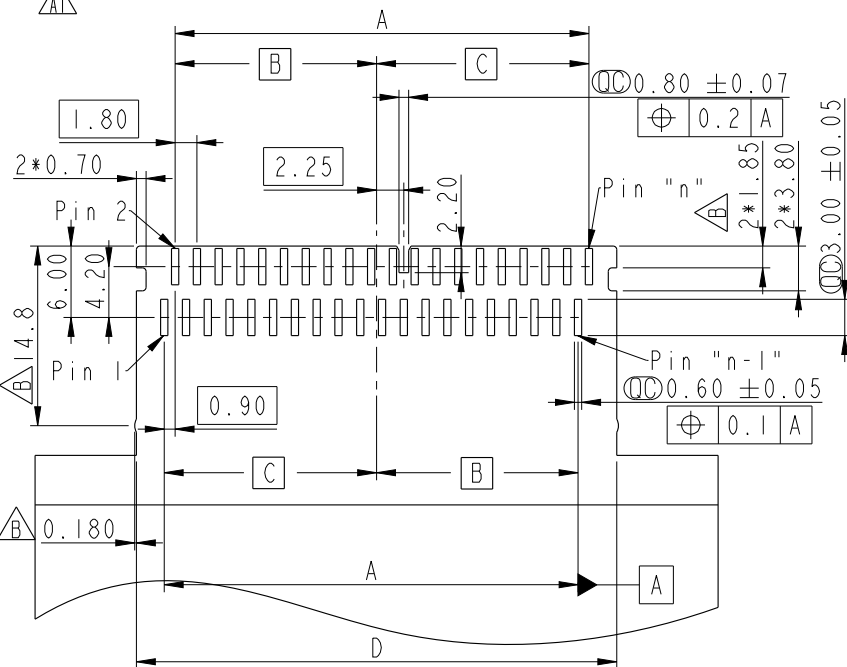
PIN	L (mm)	F (mm)	A (mm)	B (mm)	C (mm)	D (mm)	E (mm)
10	32.7	30.7	21.6	13.05	8.55	10.35	11.25

UNIT: mm			TITLE Z CONN., N SHLD, B, NONE, M				
TOLERANCE	.X ±0.25	.XX ±0.1	SCALE 1:1	SIZE A4	SHEET 4	OF 11	
ANGLES	.XXX ±0.05	±1°	REV. B	WC-REV. .0	QC: Inspection item		

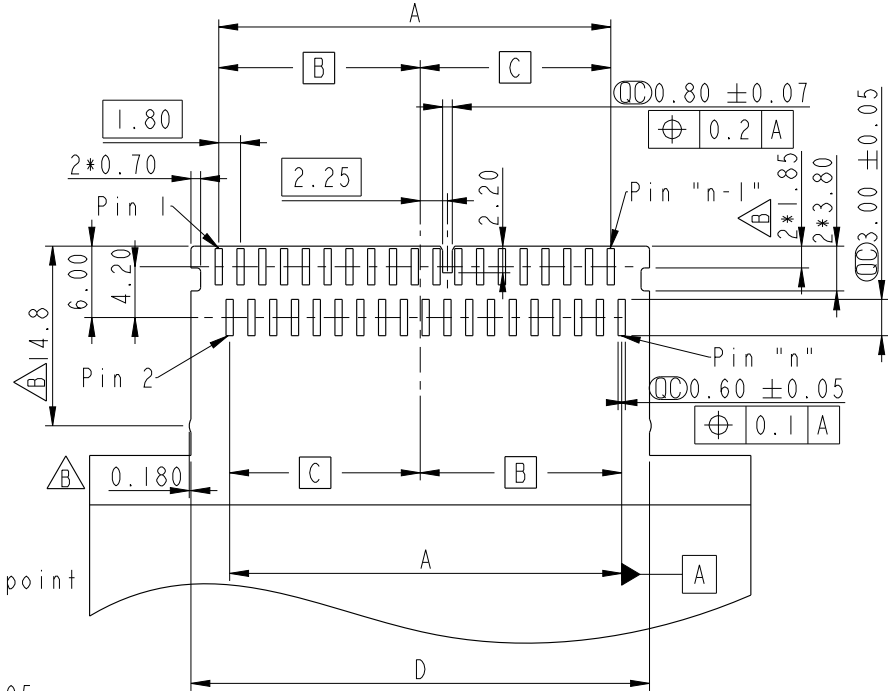
**Amphenol LTW**  
安費諾亮泰企業股份有限公司

ITEM NO	DRAWN BY Xiaofeng	DATE 2021/10/09
DWG NO ZB-XXNMAN-BN0001	CHECKED BY Feng-Li	DATE 2021/10/09
CUSTOMER ALTW	APPROVED BY Jerry	DATE 2021/10/09

Flexible Flat Cables  
Pitch 0.9mm



RECOMMENDED FFC LAYOUT



RECOMMENDED FFC LAYOUT

Recommend Optional

Gold finger  
above flat surface

Detail: E

PIN	L (mm)	A (mm)	B (mm)	C (mm)	D (mm)
24	27.3	19.8	9.45	10.35	25.3
28	30.9	23.4	11.25	12.15	28.9
32	34.5	27.0	13.05	13.95	32.5
36	38.1	30.6	14.85	15.75	36.1
40	41.7	34.2	16.65	17.55	39.7

PIN	L (mm)	A (mm)	B (mm)	C (mm)	D (mm)
22	25.5	18.0	9.45	8.55	23.5
26	29.1	21.6	11.25	10.35	27.1
30	32.7	25.2	13.05	12.15	30.7
34	36.3	28.8	14.85	13.95	34.3
38	39.9	32.4	16.65	15.75	37.9

UNIT: mm

TOLERANCE  
.X ±0.25  
.XX ±0.1  
.XXX ±0.05  
ANGLES ±1°

TITLE  
Z CONN., N SHLD, B, NONE, M

SCALE 1:1 SIZE A4 SHEET 5 OF 11

REV. B WC-REV. .0

Inspection item

**Amphenol LTW**  
安費諾亮泰企業股份有限公司

ITEM NO

DWG NO ZB-XXNMAN-BN0001

CUSTOMER ALTW

DRAWN BY Xiaofeng

CHECKED BY Feng-Li

APPROVED BY Jerry

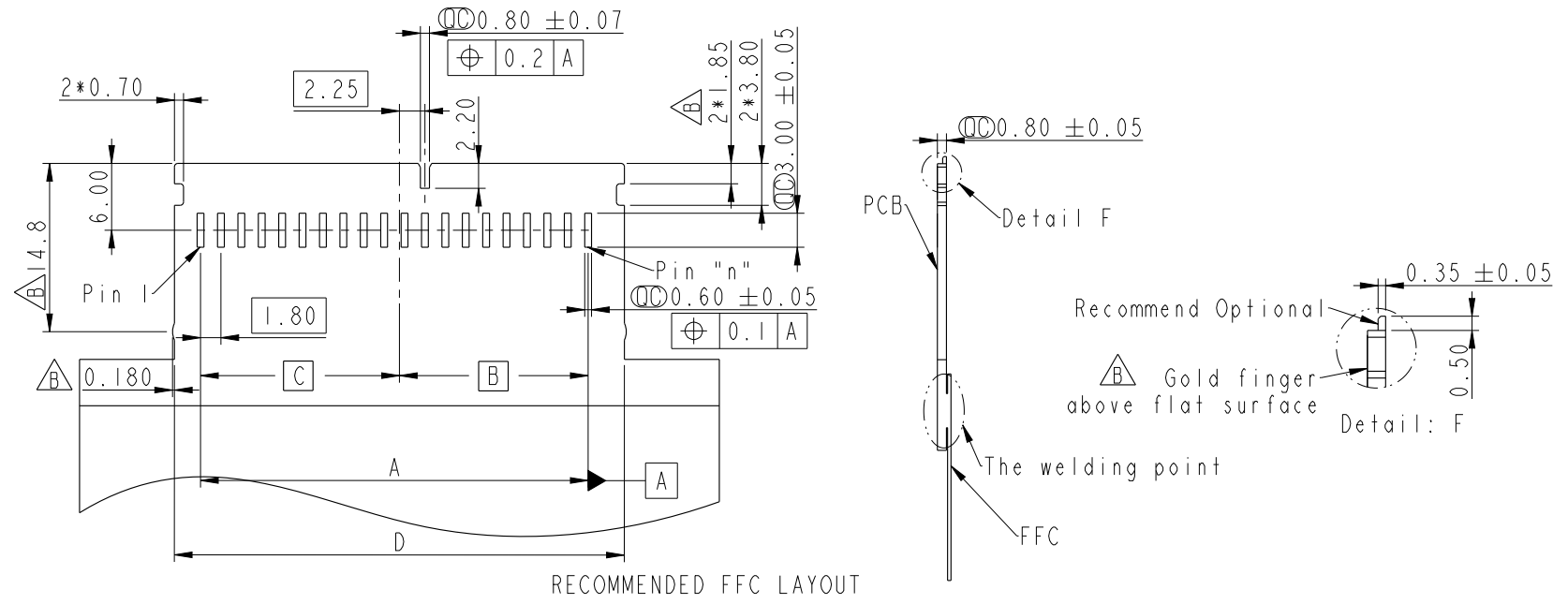
DATE 2021/10/09

DATE 2021/10/09

DATE 2021/10/09

THIS DOCUMENT IS SUBJECT TO CHANGE WITHOUT NOTICE. IT IS CONFIDENTIAL AND A PROPERTY OF AMPHENOL LTW. DISCLOSURE TO THIRD PARTY HAS TO BE AUTHORIZED BY AMPHENOL LTW.

Flexible Flat Cables  
Pitch 1.8mm



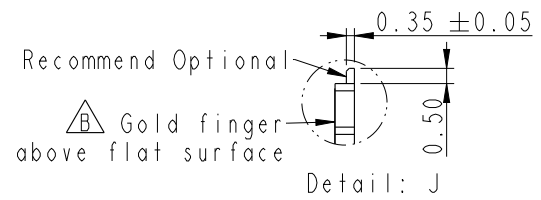
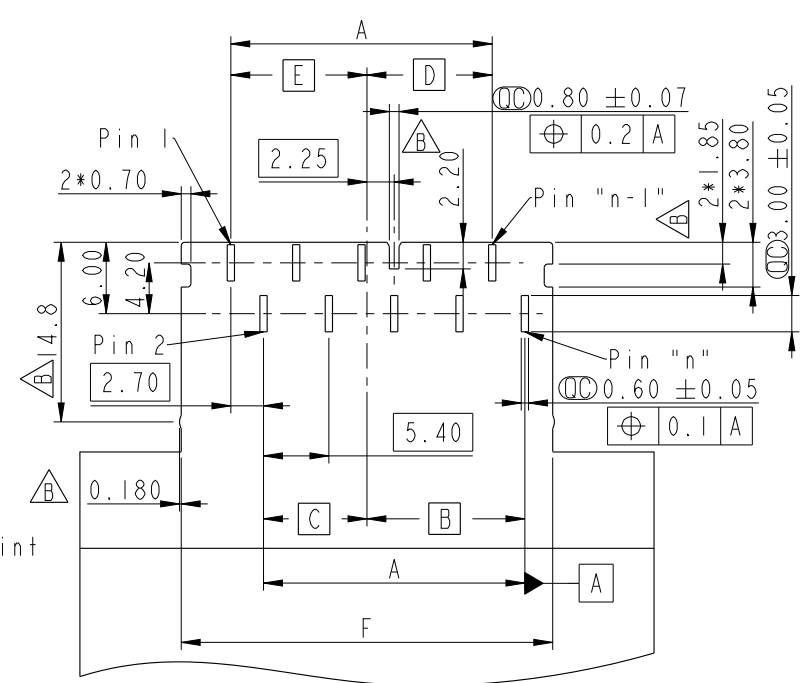
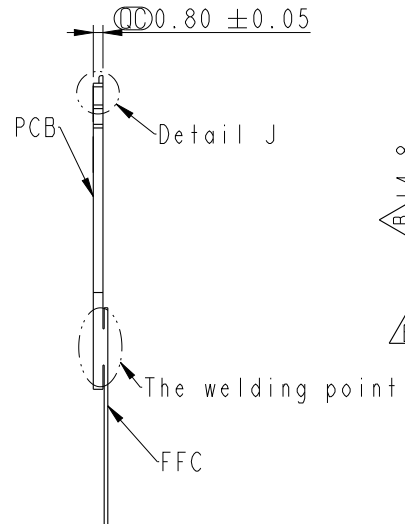
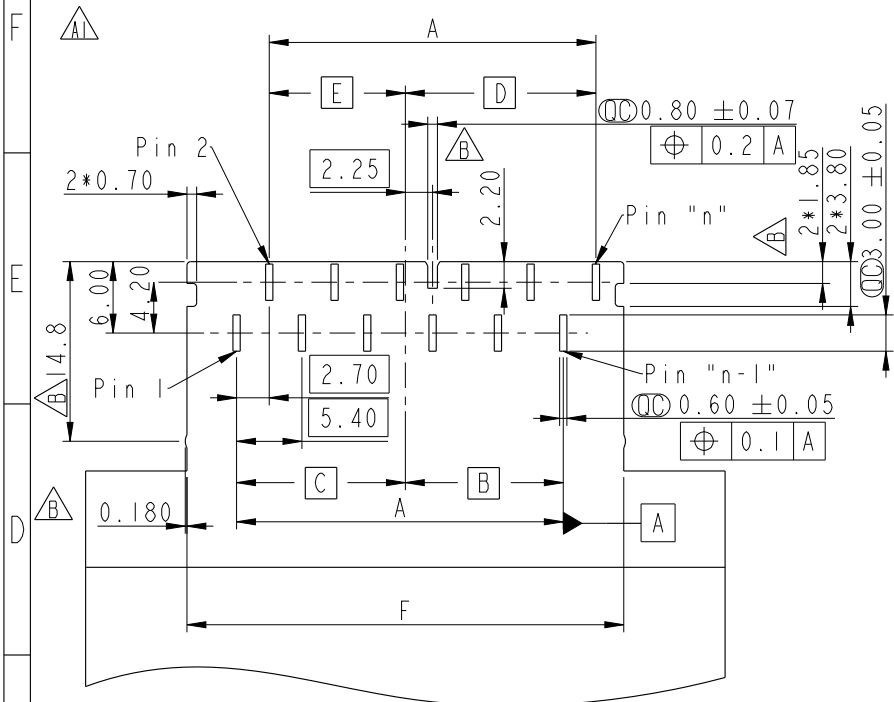
RECOMMENDED FFC LAYOUT

PIN	L (mm)	A (mm)	B (mm)	C (mm)	D (mm)
11	25.5	18.0	9.45	8.55	23.5
12	27.3	19.8	9.45	10.35	25.3
13	29.1	21.6	11.25	10.35	27.1
14	30.9	23.4	11.25	12.15	28.9
15	32.7	25.2	13.05	12.15	30.7
16	34.5	27.0	13.05	13.95	32.5
17	36.3	28.8	14.85	13.95	34.3
18	38.1	30.6	14.85	15.75	36.1
19	39.9	32.4	16.65	15.75	37.9
20	41.7	34.2	16.65	17.55	39.7

UNIT: mm  TOLERANCE .X ±0.25 .XX ±0.1 .XXX ±0.05 ANGLES ±1°	TITLE Z CONN., N SHLD, B, NONE, M			<b>Amphenol LTW</b> 安費諾亮泰企業股份有限公司		ITEM NO	DRAWN BY Xiaofeng	DATE 2021/10/09
	SCALE 1:1	SIZE A4	SHEET 6 OF 11			DWG NO ZA-XXNMAN-BN0001	CHECKED BY Feng-Li	DATE 2021/10/09
	REV. B	WC-REV. .0	QC: Inspection item	CUSTOMER ALTW	APPROVED BY Jerry	DATE 2021/10/09		
								8 W10814-03-001A2

THIS DOCUMENT IS SUBJECT TO CHANGE WITHOUT NOTICE. IT IS CONFIDENTIAL AND A PROPERTY OF Amphenol LTW. DISCLOSURE TO THIRD PARTY HAS TO BE AUTHORIZED BY Amphenol LTW.

Flexible Flat Cables  
Pitch 2.7mm



RECOMMENDED FFC LAYOUT

RECOMMENDED FFC LAYOUT

PIN	L (mm)	F (mm)	A (mm)	B (mm)	C (mm)	D (mm)	E (mm)
8	27.3	25.3	16.2	7.65	8.55	10.35	5.85
12	38.1	36.1	27.0	13.05	13.95	15.75	11.25

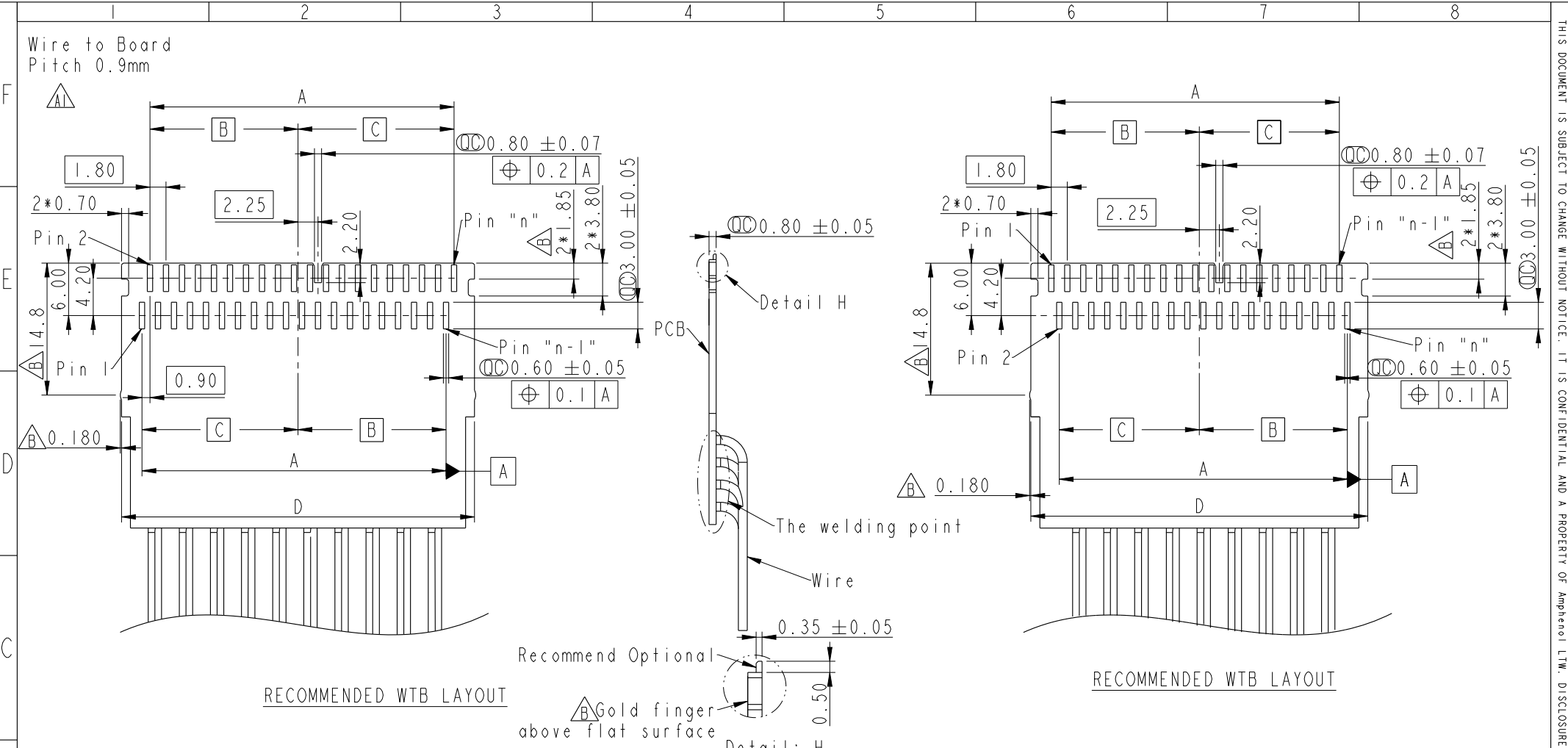
PIN	L (mm)	F (mm)	A (mm)	B (mm)	C (mm)	D (mm)	E (mm)
10	32.7	30.7	21.6	13.05	8.55	10.35	11.25

UNIT: mm		TITLE Z CONN., N SHLD, B, NONE, M
TOLERANCE .X ±0.25 .XX ±0.1 .XXX ±0.05 ANGLES ±1°	SCALE 1:1	SIZE A4
	REV. B	SHEET 7 OF 11
	WC-REV. .0	QC: Inspection item

**Amphenol LTW**  
安費諾亮泰企業股份有限公司

ITEM NO	DRAWN BY Xiaofeng	DATE 2021/10/09
DWG NO ZA-XXNMAN-BN0001	CHECKED BY Feng-Li	DATE 2021/10/09
CUSTOMER ALTW	APPROVED BY Jerry	DATE 2021/10/09

THIS DOCUMENT IS SUBJECT TO CHANGE WITHOUT NOTICE. IT IS CONFIDENTIAL AND A PROPERTY OF Amphenol LTW. DISCLOSURE TO THIRD PARTY HAS TO BE AUTHORIZED BY Amphenol LTW.



PIN	L (mm)	A (mm)	B (mm)	C (mm)	D (mm)
24	27.3	19.8	9.45	10.35	25.3
28	30.9	23.4	11.25	12.15	28.9
32	34.5	27.0	13.05	13.95	32.5
36	38.1	30.6	14.85	15.75	36.1
40	41.7	34.2	16.65	17.55	39.7

PIN	L (mm)	A (mm)	B (mm)	C (mm)	D (mm)
22	25.5	18.0	9.45	8.55	23.5
26	29.1	21.6	11.25	10.35	27.1
30	32.7	25.2	13.05	12.15	30.7
34	36.3	28.8	14.85	13.95	34.3
38	39.9	32.4	16.65	15.75	37.9

UNIT: mm

TOLERANCE  
 .X ±0.25  
 .XX ±0.1  
 .XXX ±0.05  
 ANGLES ±1°

TITLE  
 Z CONN., N SHLD, B, NONE, M

SCALE 1:1 SIZE A4 SHEET 8 OF 11

REV. B WC-REV. .0

☉: Inspection item

**Amphenol LTW**  
 安費諾亮泰企業股份有限公司

ITEM NO. \_\_\_\_\_ DRAWN BY: Xiaofeng DATE: 2021/01/15

DWG NO. ZA-XXNMAN-BN0001 CHECKED BY: Feng-Li DATE: 2021/01/15

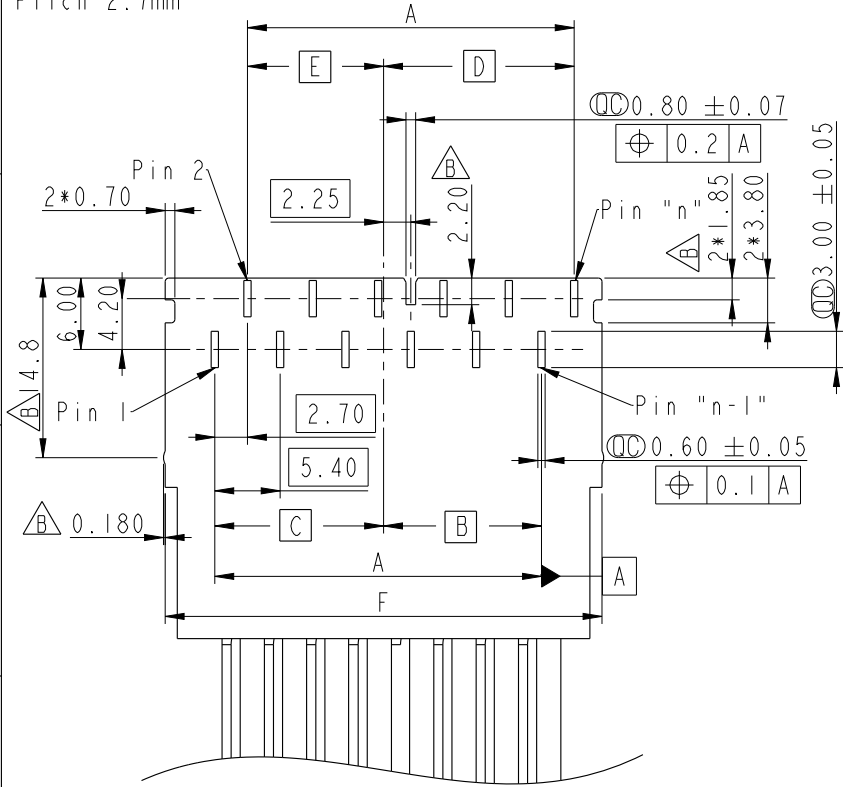
CUSTOMER: ALTW APPROVED BY: Jerry DATE: 2021/01/15



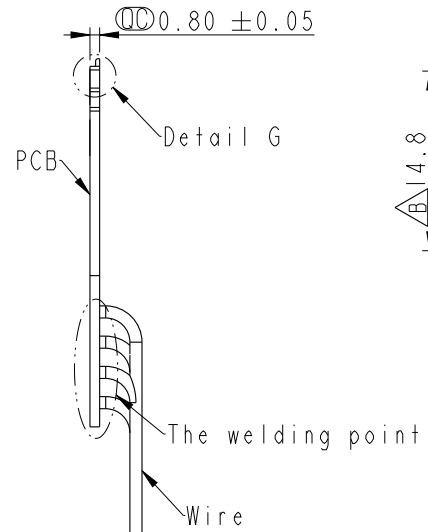


THIS DOCUMENT IS SUBJECT TO CHANGE WITHOUT NOTICE. IT IS CONFIDENTIAL AND A PROPERTY OF AMPHENOL LTW. DISCLOSURE TO THIRD PARTY HAS TO BE AUTHORIZED BY AMPHENOL LTW.

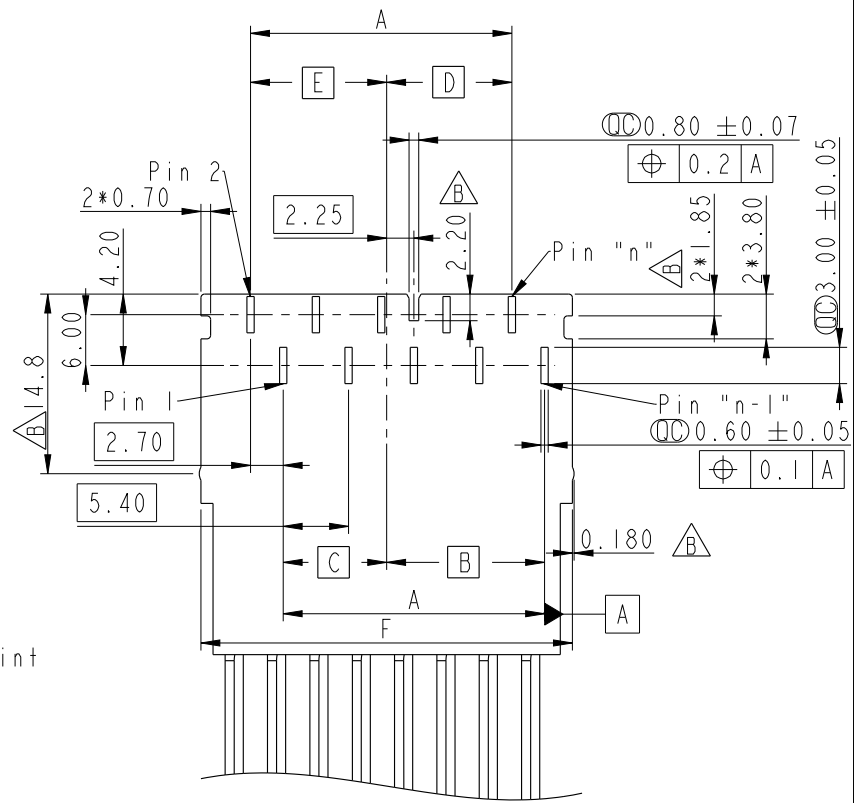
Wire to Board  
Pitch 2.7mm



RECOMMENDED WTB LAYOUT



Recommend Optional  
▲ Gold finger  
above flat surface  
Detail: G



RECOMMENDED WTB LAYOUT

PIN	L (mm)	F (mm)	A (mm)	B (mm)	C (mm)	D (mm)	E (mm)
8	27.3	25.3	16.2	7.65	8.55	10.35	5.85
12	38.1	36.1	27.0	13.05	13.95	15.75	11.25

PIN	L (mm)	F (mm)	A (mm)	B (mm)	C (mm)	D (mm)	E (mm)
10	32.7	30.7	21.6	13.05	8.55	10.35	11.25

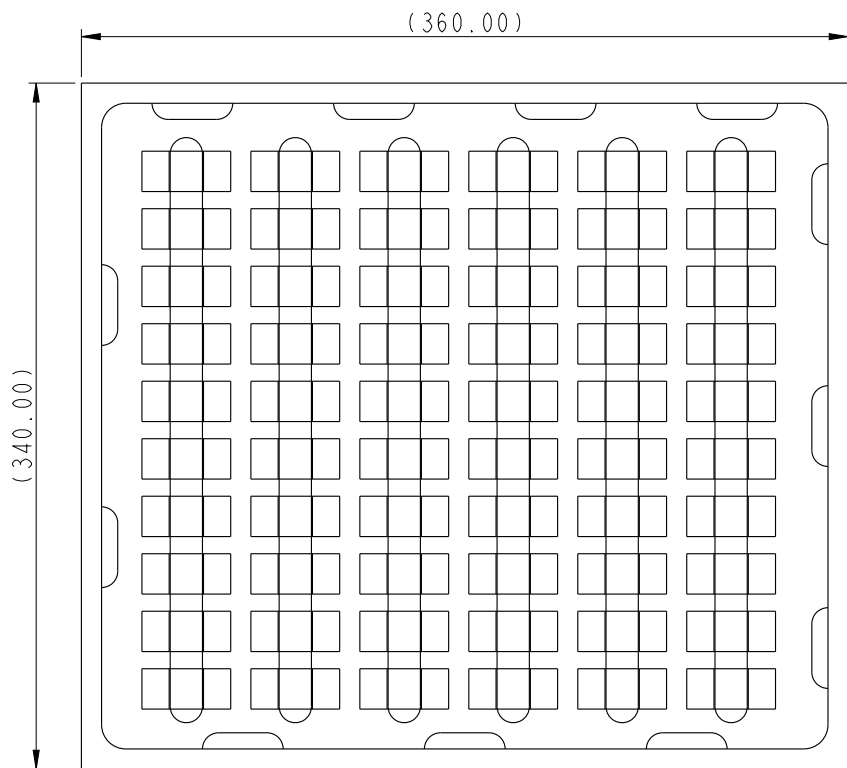
UNIT: mm			TITLE Z CONN., N SHLD, B, NONE, M	
TOLERANCE	.X ±0.25	.XX ±0.1	SCALE 1:1	SIZE A4
.XXX ±0.05	ANGLES ±1°		REV. B	WC-REV. .0
			SHEET 10 OF 11	
			◎: Inspection item	

**Amphenol LTW**  
安費諾亮泰企業股份有限公司

ITEM NO	DRAWN BY Xiaofeng	DATE 2021/10/09
DWG NO ZA-XXNMAN-BN0001	CHECKED BY Feng Li	DATE 2021/10/09
CUSTOMER ALTW	APPROVED BY Jerry	DATE 2021/10/09

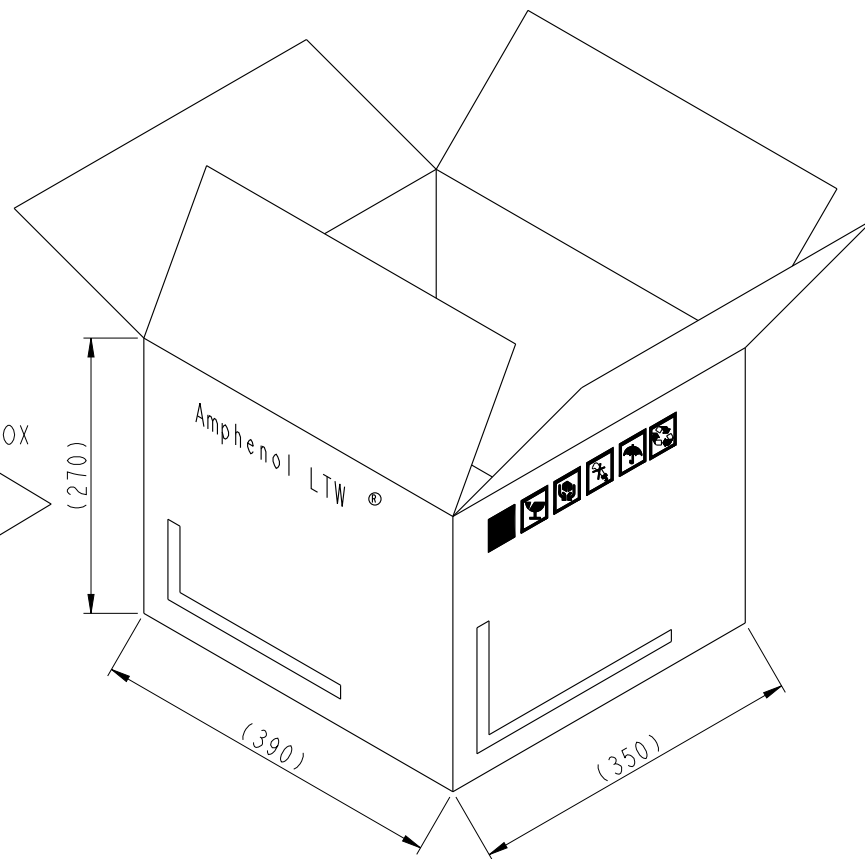
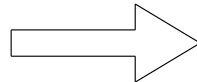
Packing:

Vacuum-Cover Lower Cover



60 PCS/Tray

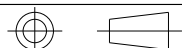
20 Tray/BOX



Note:

- \* Important Dimensions To Check.
- \* Material: PET, 0.6mm, CR

UNIT: mm



TITLE Z CONN., N SHLD, B, NONE, M			
SCALE 1:1	SIZE A4	SHEET 11 OF 11	
REV. B	WC-REV. .0	QC: Inspection item	

**Amphenol LTW**  
安費諾亮泰企業股份有限公司

ITEM NO	DRAWN BY Xiaofeng	DATE 2021/10/09
DWG NO ZB-XXNMAN-BN0001	CHECKED BY Feng Li	DATE 2021/10/09
CUSTOMER ALTW	APPROVED BY Jerry	DATE 2021/10/09