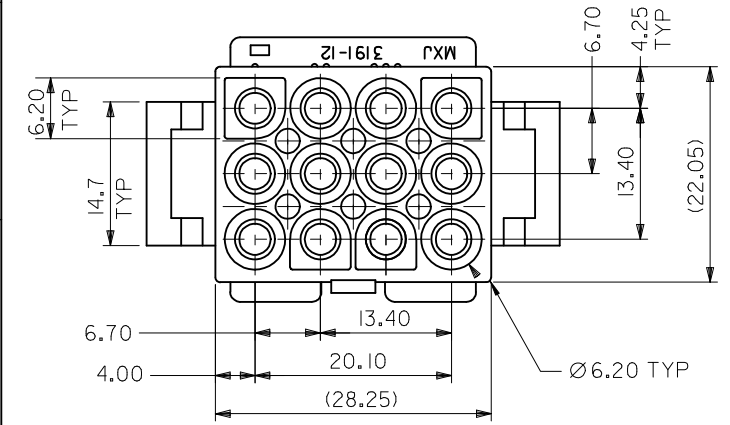


- NOTES:
1. MATERIAL: SEE TABLE
 2. FINISH: NONE
 3. PRODUCT SPECIFICATION: PS-02-09
 4. PACKAGING SPECIFICATION: PK-3191-001
 5. PARTS CONFORM TO MOLEX COSMETIC SPECIFICATION PS-45499-002 CLASS B
 6. DIMENSIONS IN () ARE REFERENCE
 7. HOUSING FOR USE WITH 2.36/0.093 DIA. MALE TERMINALS.
 8. PARTS CONFORM TO CLASS B REQUIREMENTS OF COSMETIC SPECIFICATION PS-45499-002.
 9. TEXT ON PART IS FOR REFERENCE ONLY. TEXT AND TEXT LOCATION MAY VARY DEPENDING ON PART NUMBER AND/OR TOOL.



19-09-2127	3191-12P-201	NYLON66	94V-0	NATURAL	YES
19-09-2128	3191-12P	NYLON66	94V-2	NATURAL	YES
19-09-2129	3191-12PI	NYLON66	94V-2	NATURAL	NO
EDP. NO.	ENG. NO.	MATERIAL	UL	COLOR	MTG. EARS

19092126 OBSOLETE EC NO: UCP2019-0035 DRAWN: SALHAMY 2018/07/18 CHKD: APPR: FSMITH 2018/07/18	DESCRIPTION REV	QUALITY SYMBOLS	GENERAL TOLERANCES (UNLESS SPECIFIED)	DIMENSION STYLE	SCALE	DESIGN UNITS	THIRD ANGLE PROJECTION
		$\nabla Z=0$ $\nabla E=0$ $\nabla F=0$	mm INCH 4 PLACES ± --- ± --- 3 PLACES ± --- ± --- 2 PLACES ± 0.25 ± --- 1 PLACE ± 0.35 ± --- ANGULAR ± ---°	MM ONLY		METRIC	<input checked="" type="checkbox"/> THIRD ANGLE <input type="checkbox"/> FIRST ANGLE
			DRAFT WHERE APPLICABLE MUST REMAIN WITHIN DIMENSIONS	DRAWN BY: JBINGHAM CHECKED BY: MKIPPER APPROVED BY: FSMITH DATE: 2010/10/12 DATE: 2010/10/12 DATE: 2010/11/09	TITLE: 12-CIRCUIT PLUG HOUSING (0.093 DIA. TERMINAL) SALES DRAWING MOLEX INCORPORATED DOCUMENT NO. SD-3191-12P*-* SHEET NO. 1 OF 1		
				SEE CHART			