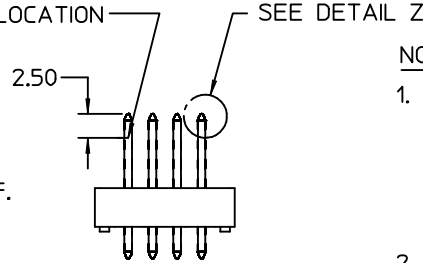


PLATING THICKNESS MEASUREMENT LOCATION



NOTES :

1. MATERIALS :

- WAFER BOARD : 30% GLASS-FILLED LCP, (LIQUID CRYSTAL POLYMER) COLOR - BLACK

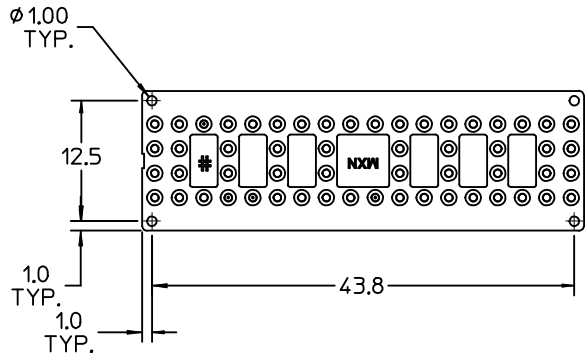
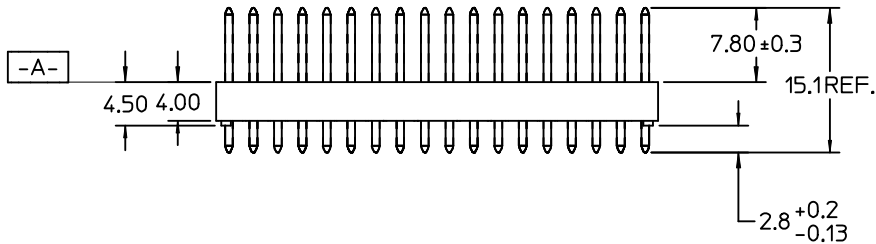
- PINS : BRASS ALLOY C-26000, 3/4 HARD.
 .00050/(0.0013) NICKEL PLATE
 MOLEX SPECIFICATION : ES-88-121

3. PRODUCT SPECIFICATION : N/A

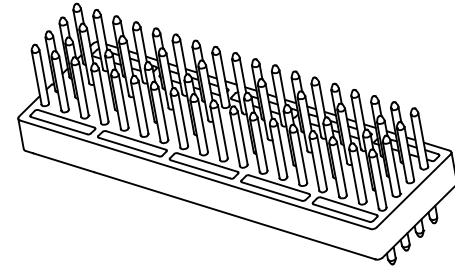
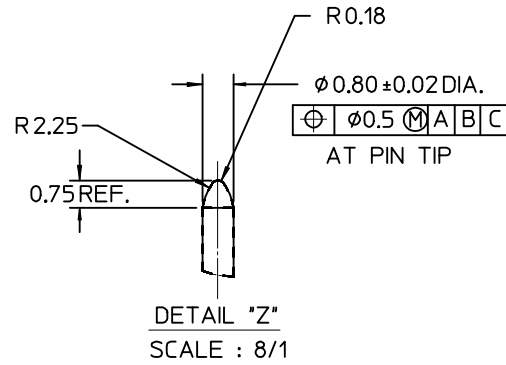
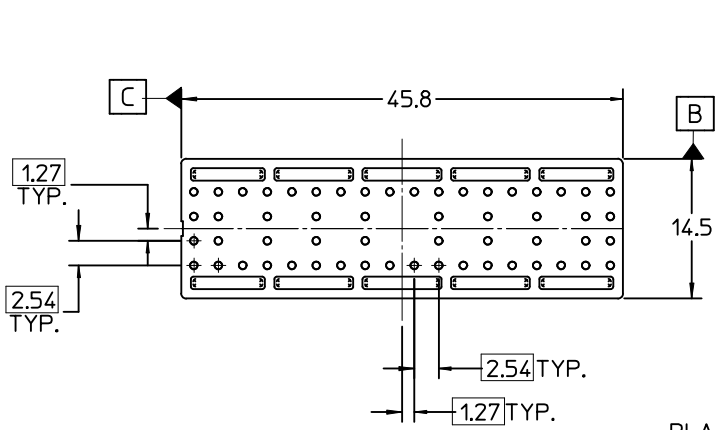
4. TAPE AND REEL PACKAGING PER PK-45616-001.

5. PIN RETENTION SPECIFICATION : 1.5 Lbs MIN PER PIN.

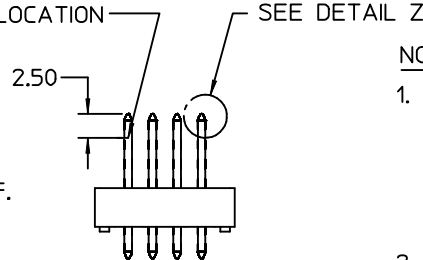
6. THIS PART CONFORMS TO CLASS B REQUIREMENTS OF COSMETIC SPECIFICATION PS-45499-002.



UPDATE NOTES EC NO: UCF2007-3250 DRW:ADDER 2007/06/25 CHKD:JBELL 2007/06/27 APPR:FSMITH 2007/06/28	QUALITY SYMBOLS ▽=0 ▽=0	GENERAL TOLERANCES (UNLESS SPECIFIED)		DIMENSION STYLE MM ONLY	SCALE 2:1	DESIGN UNITS METRIC	THIRD ANGLE PROJECTION	
		4 PLACES ± --- ± ---	DRAWN BY MUELLER	DATE 2003/07/31	TITLE 56 PIN HEADER - ASSEMBLY			
		3 PLACES ± --- ± ---	CHECKED BY MUELLER	DATE 2003/07/31				
		2 PLACES ± 0.13 ± --- 1 PLACE ± 0.25 ± ---	APPROVED BY MARGULIS	DATE 2003/07/31				
DRAFT WHERE APPLICABLE MUST REMAIN WITHIN DIMENSIONS		MATERIAL NO. 456160001	DOCUMENT NO. SD-45616-001	MOLEX INCORPORATED				
		SIZE B	THIS DRAWING CONTAINS INFORMATION THAT IS PROPRIETARY TO MOLEX INCORPORATED AND SHOULD NOT BE USED WITHOUT WRITTEN PERMISSION					



PLATING THICKNESS
MEASUREMENT LOCATION



NOTES :

1. MATERIALS :

- WAFER BOARD : 30% GLASS-FILLED LCP,
(LIQUID CRYSTAL POLYMER)
COLOR - BLACK

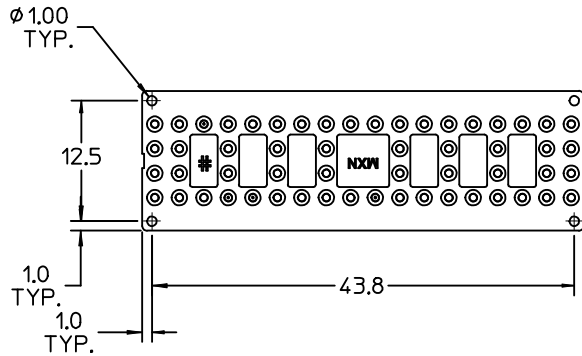
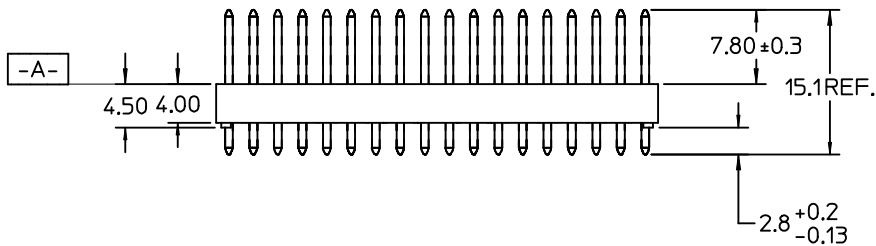
- PINS : BRASS ALLOY C-26000, 3/4 HARD.
.00050/(0.0013) NICKEL PLATE
MOLEX SPECIFICATION : ES-88-121

3. PRODUCT SPECIFICATION : N/A

4. TAPE AND REEL PACKAGING PER PK-45616-001.

5. PIN RETENTION SPECIFICATION : 1.5 Lbs MIN PER PIN.

6. THIS PART CONFORMS TO CLASS B REQUIREMENTS OF
COSMETIC SPECIFICATION PS-45499-002.



UPDATE NOTES EC NO: UCF2007-3250 DRW:ADERR 2007/06/25 CHKD:JBELL 2007/06/27 APPR:FSMITH 2007/06/28	QUALITY SYMBOLS ▽=0 ▽=0	GENERAL TOLERANCES (UNLESS SPECIFIED)		DIMENSION STYLE MM ONLY	SCALE 2:1	DESIGN UNITS METRIC	THIRD ANGLE PROJECTION	
		4 PLACES ± --- ± --- 3 PLACES ± --- ± --- 2 PLACES ± 0.13 ± --- 1 PLACE ± 0.25 ± ---	DRAWN BY MUELLER	DATE 2003/07/31	TITLE 56 PIN HEADER - ASSEMBLY			
		ANGULAR ± 2 °	CHECKED BY MUELLER	DATE 2003/07/31	MOLEX INCORPORATED			
		DRAFT WHERE APPLICABLE MUST REMAIN WITHIN DIMENSIONS	MATERIAL NO. 456160001	DATE 2003/07/31	DOCUMENT NO. SD-45616-001	SHEET NO. 1 OF 1		