

1 2 3 4 5 6

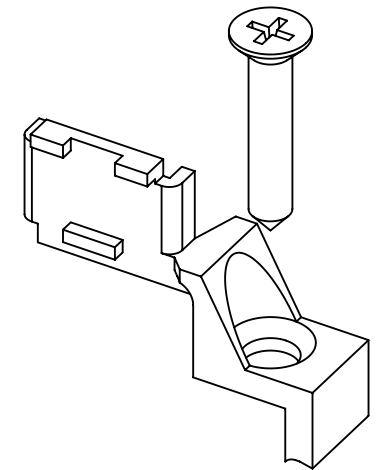
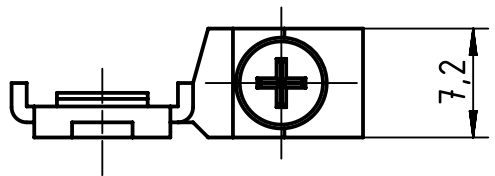
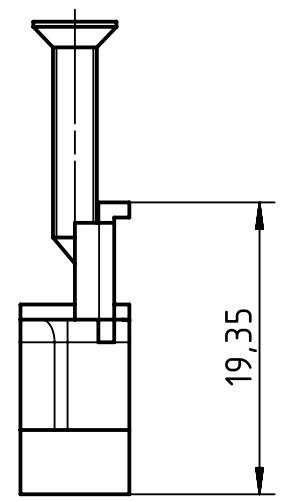
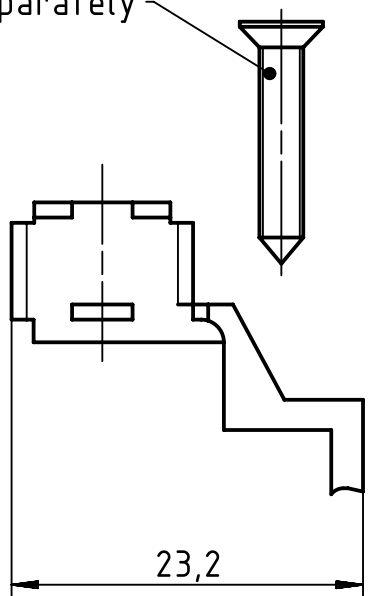
A


B

C

D

enclosed separately



	All Dimensions in mm Original Size DIN A4		Scale 2:1	Free size tol.		Ref.	
	All rights reserved Department EL PD		Created by MOELLERLI	Inspected by BEISCHER	Standardisation RUETERA	Date 2019-10-09	State Final Release
HARTING Electric GmbH & Co. KG D-32339 Espelkamp		Title GND adapter Shielded power module male				Doc-Key / ECM-Nr. 100803301/UGD/001/C 500000158899	
		Type TB	Number 09 14 000 9807			Rev. C	Page 1/1