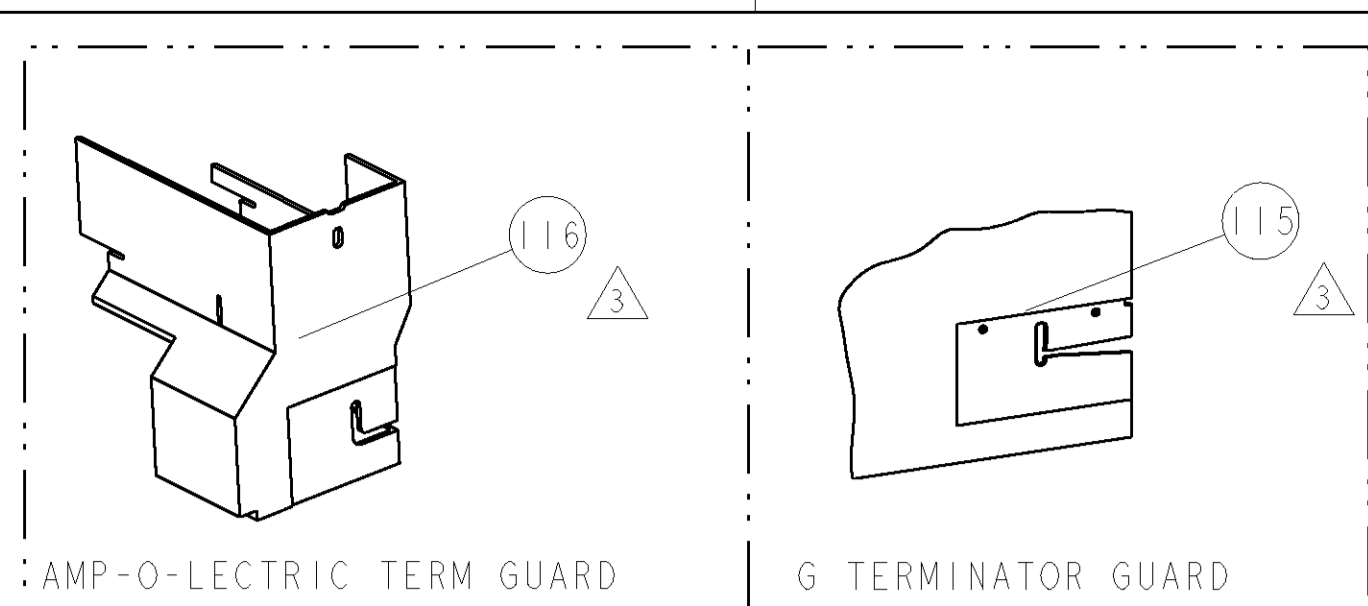


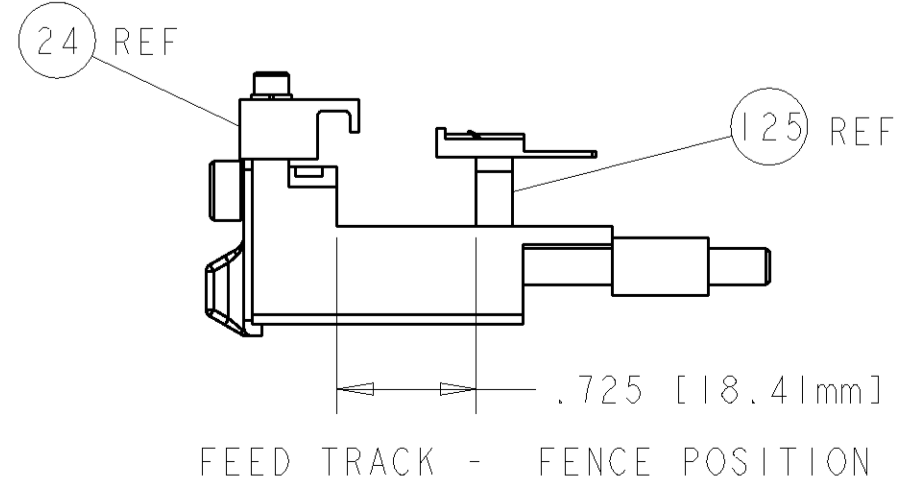
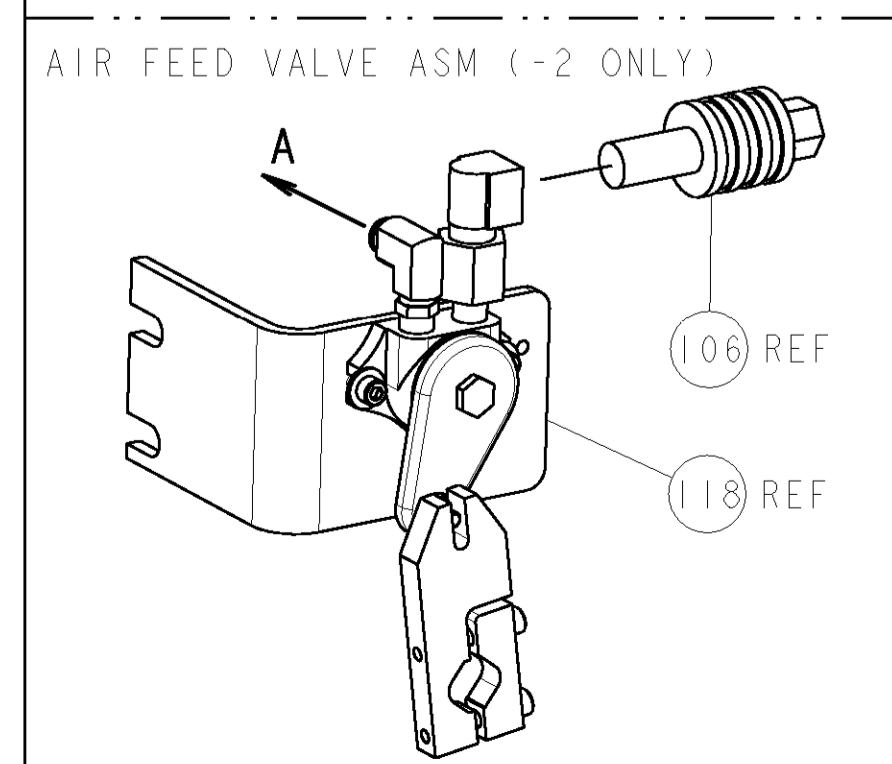
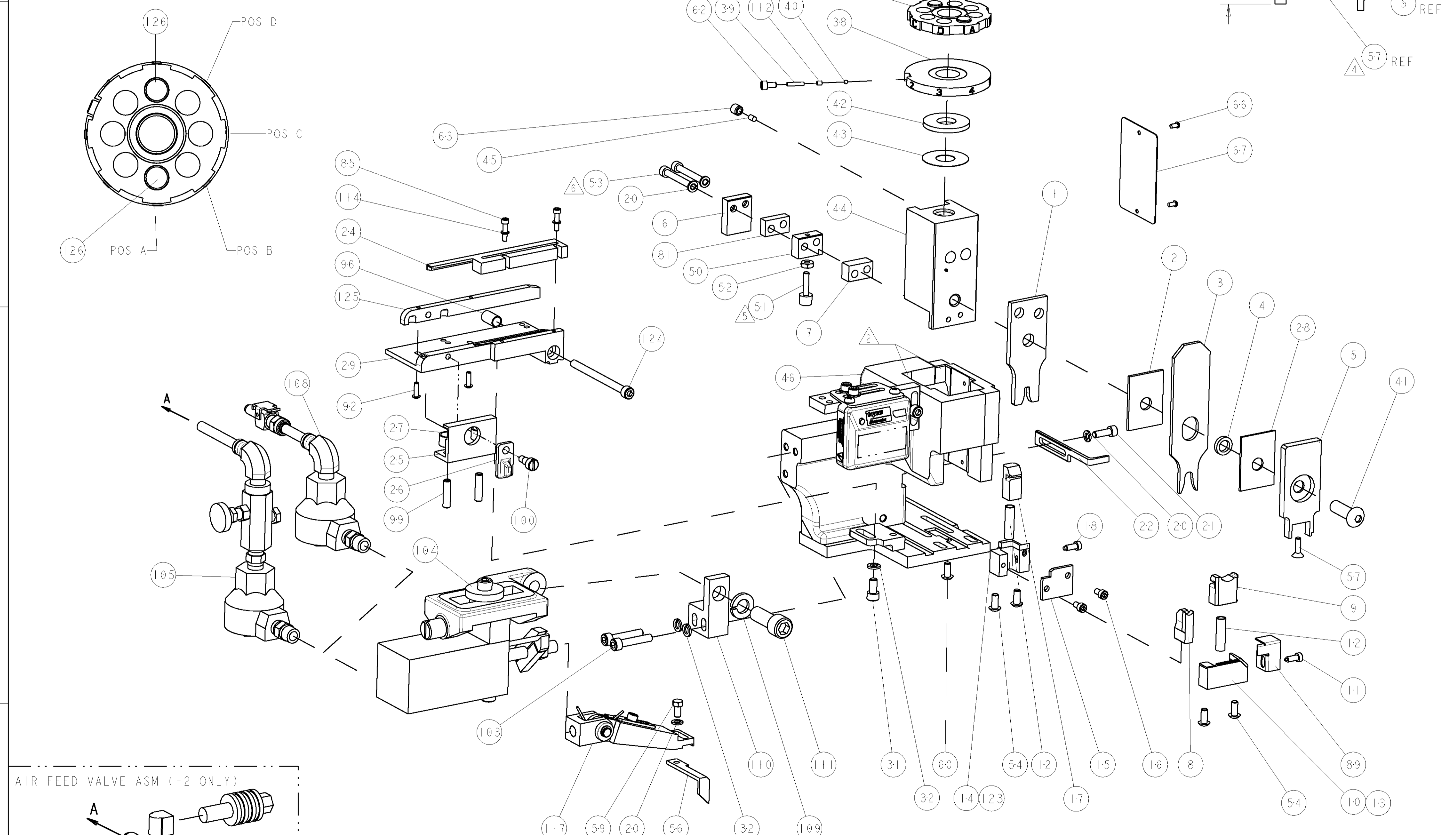
PART NUMBER	REV	FIRST USED	POWER UNIT	FEED TYPE	DESCRIPTION
1852495-1	A	122500-1	LEADMAKER	AIR FEED	CUTS CARRIER
1852495-2	A	565435-5	BENCH MODEL K	AIR FEED	CUTS CARRIER
1852495-3	A	354500-1	BENCH MODEL G	AIR FEED	CUTS CARRIER
1852495-6	A	122500-1	LEADMAKER	AIR FEED	CONTINUOUS CARRIER
7-1852495-7	A	-	-	-	SPARE PARTS



TE PN		MANUF PN		DELPHI TERMINAL - DELPHI CRIMP SPECS	
1949313-1	-	12065197	-	CRIMP HEIGHT	WIRE SIZE
-	-	-	-	2.05±0.05mm [.081±.002]	3.00mm ²
-	-	-	-	CRIMP	SIZE
-	-	-	-	SIZE	TYPE
-	-	-	-	SIZE	RANGE
1949389-1	12048442	WIRE	3.65mm [.144]	F	3.00mm ²
-	-	INSUL	6.30mm [.248]	0	∅2.81-3.76mm
WIRE STRIP LENGTH	TERM APPL SPEC	FEED	APPLICATOR INSTRUCTIONS	SET UP GAGE	
5.6mm	NONE	20.32	408-8040	458637-1	

LOC	DIST	REV	DESCRIPTION	DATE	BY	APPV
A	66		RELEASED	28SEP2007	MEH	GB

- △ RECOMMENDED SPARE PARTS
- △ GREASE LIGHTLY
- △ GUARD MUST BE IN PLACE WHEN OPERATING APPLICATOR IN A BENCH MACHINE.
- △ APPLY TORQ-SEAL IN ALLEN SOCKET TO FILL HOLE AFTER FLAT HD HAS BEEN ADJUSTED TO CORRECT HEIGHT AT QUALIFICATION. APPLY PN 1-23419-5 LOC-TITE TO THREADS.
- △ LOCTITE [THREAD LOCKER].
- △ CUT TO LENGTH AT ASSEMBLY.



QTY	UNIT	PART NO	DESCRIPTION	ITEM NO				
- 2	2	2	2	7-354778-3	PIN, WIRE DISC, .2860	126		
- 1	1	1	1	1-189807-3	FENCE	125		
- 1	1	1	1	8-21000-7	SCR, SKT HD CAP 10-32 X 2.500	124		
- 1	-	-	-	681023-3	SHEAR HOLDER, REAR	123		
-	-	-	-	692655-6	AIR FEED VALVE ASSEMBLY	118		
- 1	1	1	1	461062-1	FEED FINGER ASSEMBLY	117		
-	-	-	-	455749-1	GUARD WINDOW	116		
-	-	-	-	679532-1	INSERT, GUARD	115		
- 2	2	2	2	21024-2	WASHER, SPRG LOCK, REG NO 4	114		
-77	-6	-3	-2	-1	U/M	PART NO	DESCRIPTION	ITEM NO

QTY	UNIT	PART NO	DESCRIPTION	ITEM NO		
- 1	1	1	1	690603-1	SPRING ASSIST AMP-O-MATOR APPLICATOR	112
- 1	1	1	1	3-21001-5	SCR, SKT HD CAP 3/8-16 X 1.000	111
- 1	1	1	1	459610-1	MOUNT, FEED BRACKET	110
- 1	1	1	1	21024-8	WASHER, SPRG LOCK, REG 3/8	109
- 1	1	1	1	692655-7	AIR FEED VALVE ASSEMBLY	108
-	-	-	-	24024-2	VALVE, SHUT OFF	106
-	-	-	-	692655-5	AIR FEED VALVE ASSEMBLY	105
- 1	1	1	1	461065-1	ASSEMBLY, AIR FEED	104
- 2	2	2	2	3-21000-9	SCR, SKT HD CAP 10-32 X 1.000	103
- 1	1	1	1	22353-8	SCR, SHLD, SLOT HD, 3/16 DIA	100
- 2	2	2	2	5-21006-6	SCR, SET, CUP POINT 10-32 X .750	99
- 1	1	1	1	1-22281-8	SPRING, COMPRESSION	96
- 2	2	2	2	1-21002-4	SCR, BTN SKT HD CAP 4-40 X .375	92
- 1	1	1	1	318563-1	GUARD, FRONT CHIP	89
- 2	2	2	2	1-21000-5	SCR, SKT HD CAP 4-40 X .500	85
- 1	1	1	1	1-240641-4	SPACER	81
- 1	1	1	1	4088040	SF APPL INST 408-8040	72
- 1	1	1	1	217238-1	GENERAL INSTRUCTION PKG	71
- 1	1	1	1	461264-1	PLATE, IDENTIFICATION	67
- 2	2	2	2	21017-2	SCREW, DRIVE	66
- 1	1	1	1	986950-1	WASHER, FLAT PRECISION	64
- 1	1	1	1	21009-2	SCR, SET, SELF LOCKING 1/4-20 X .250	63
- 1	1	1	1	23030-1	SCR, SKT HD CAP 6-32 X .25	62
- 1	1	1	1	22733-8	SCR, BHSC, SELF-LOCKING, 8-32 X .375	60
- 1	1	1	1	2-22603-0	SCR, HEX HD CAP 8-32 X .312	59
- 1	1	1	1	2-21003-0	SCR, FLT SKT HD CAP 6-32 X .500	57
- 1	1	1	1	3-694433-1	FEED PAWL	56
- 4	4	4	4	2-21002-1	SCR, BTN SKT HD CAP 8-32 X .375	54
- 2	2	2	2	3-21000-2	SCR, SKT HD CAP 8-32 X 1.250	53
- 1	1	1	1	21018-5	NUT, HEX, REG 6-32	52
- 1	1	1	1	811242-2	BUMPER, HOLD DOWN	51
- 1	1	1	1	690753-1	SPACER, TONKER	50
- 1	1	1	1	1633399-4	APPL., BASIC AIR FEED SUB ASSY	46
- 1	1	1	1	690191-1	PLUG, NYLON	45
- 1	1	1	1	455673-1	RAM, SIDE FEED	44
- 1	1	1	1	690125-1	SHIM SUB-ASSY	43
- 1	1	1	1	690124-1	WASHER, RAM (.115)	42
- 1	1	1	1	7-21002-9	SCR, BTN SKT HD CAP 5/16-24 X 1.00	41
- 1	1	1	1	23241-6	BALL, STEEL	40
- 1	1	1	1	690170-1	SPRING, COMPRESSION	39
- 1	1	1	1	1-690142-2	DISC, INSULATION	38
- 1	1	1	1	354777-1	WIRE DISC, ASSEMBLY	37
- 1	1	1	1	22480-5	SPRING, COMPRESSION	36
- 1	1	1	1	690212-1	POST, RAM	35
- 3	3	3	3	21024-5	WASHER, SPRG LOCK, REG NO 10	32
- 1	1	1	1	3-21000-4	SCR, SKT HD CAP 10-32 X .375	31
- 1	1	1	1	1-1633087-0	PLATE, STRIP GUIDE	29
- 1	1	1	1	1-455888-0	SPACER, CRIMPER	28
- 2	2	2	2	1-22284-0	SPRING, COMPRESSION	27
- 1	1	1	1	356835-1	LEVER, DRAG RELEASE	26
- 1	1	1	1	240792-1	DRAG, TERMINAL	25
- 1	1	1	1	2-679651-9	FRONT STRIP GUIDE	24
- 1	1	1	1	690472-2	STRIPPER	22
- 1	1	1	1	2-21000-7	SCR, SKT HD CAP 8-32 X .500	21
- 4	4	4	4	21024-4	WASHER, SPRG LOCK, REG NO 8	20
- 1	1	1	1	690461-1	STOP, SHEAR	18
- 1	1	1	1	690463-1	FLOATING SHEAR, REAR	17
- 2	2	2	2	1-21000-8	SCR, SKT HD CAP 6-32 X .250	16
- 1	1	1	1	2-690464-1	SHEAR PLATE, REAR	15
-	-	-	-	1-690462-5	SHEAR HOLDER, REAR	14
-	-	-	-	679625-4	SHEAR HOLDER, FRONT (NO CUT)	13
- 2	2	2	2	3-22280-3	SPRING, COMPRESSION	12
- 1	1	1	1	1-690461-7	STOP, SHEAR	11
-	-	-	-	2-690459-2	SHEAR HOLDER, FRONT	10
- 1	1	1	1	318059-4	FLOATING SHEAR, FRONT	9
- 1	1	1	1	1-1633330-2	ANVIL, COMBINATION	8
- 1	1	1	1	7-240641-2	SPACER	7
- 1	1	1	1	1-690468-5	DEPRESSOR SHEAR, REAR	6
- 1	1	1	1	122399-4	DEPRESSOR, SHEAR	5
- 1	1	1	1	238011-4	BLOCK, CRIMPER SPACER	4
- 1	1	1	1	1-1633510-3	CRIMPER, INSUL 0	3
- 1	1	1	1	1-455888-7	SPACER, CRIMPER	2
- 1	1	1	1	2-1673600-2	CRIMPER, WIRE	1

DIMENSIONS: INCHES
 TOLERANCES UNLESS OTHERWISE SPECIFIED:
 0 PLC ±.001
 1 PLC ±.001
 2 PLC ±.001
 3 PLC ±.001
 4 PLC ±.001
 ANGLES ±.0001

CUSTOMER DRAWING: A1 00779 ©=1852495
 SCALE: 3:5
 SHEET: 1 OF 1
 REV: A

Tyco Electronics
 Harrisburg, PA 17105-3608

CUSTOMER VIEWABLE ASSEMBLY