

△ TABLE 1

NOTES

- ① 材料及び仕上げ(めっき仕様) : TABLE 1参照  
MATERIAL AND FINISHES : SEE TABLE 1
- ② 製品仕様書 : 511630000-PS 000  
PRODUCT SPECIFICATION:511630000-PS 000
- ③ 嵌合相手 : 51163 シリーズ  
MATES WITH:51163 SERIES
- ④ アプリケーション仕様書(コネクタ取扱い説明書) : 2166940000-AS PS 000  
APPLICATION SPECIFICATION(CONNECTOR MANUAL) : 2166940000-AS PS 000
- ⑤ 偶数極に適合  
APPLY FOR EVEN CIRCUIT
- ⑥ GLOW WIRE TEST適合品  
THIS PRODUCT IS GLOW WIRE TEST COMPATIBLE.
- ⑦ ターミナルとネイルの平坦度は0.15mm以下  
TERMINAL AND NAIL COPLANARITY : 0.15mm MAXIMUM.
- ⑧ 発注番号 ORDER NUMBER

215932 \*\* 7 \*

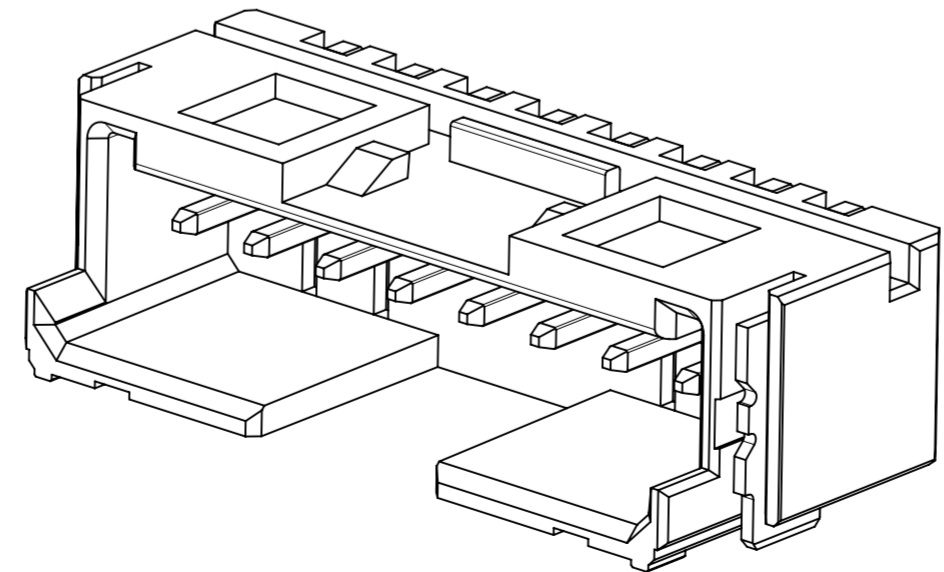
極数  
CIRCUIT SIZE

番号 NO.	ハウジングカラー HOUSING COLOR
0	ナチュラル(ベージュ) NATURAL(BEIGE)
1	黒 BLACK

△ 製品一覧 PRODUCT LIST

				黒 BLACK	ナチュラル (ベージュ) NATURAL (BEIGE)	ハウジングカラー HOUSING COLOR
6	38.2	35	42.1	2159321571	2159321570	15
6	35.7	32.5	39.6	2159321471	2159321470	14
6	33.2	30	37.1	2159321371	2159321370	13
6	30.7	27.5	34.6	2159321271	2159321270	12
6	28.2	25	32.1	2159321171	2159321170	11
6	25.7	22.5	29.6	2159321071	2159321070	10
6	23.2	20	27.1	2159320971	2159320970	9
6	20.7	17.5	24.6	2159320871	2159320870	8
6	18.2	15	22.1	2159320771	2159320770	7
6	15.7	12.5	19.6	2159320671	2159320670	6
6	13.2	10	17.1	2159320571	2159320570	5
6	10.7	7.5	14.6	2159320471	2159320470	4
5	8.2	5	12.1	2159320371	2159320370	3
2.5	5.7	2.5	9.6	2159320271	2159320270	2
				オーダー番号 : ORDER NUMBER		極数 CIRCUIT SIZE
				梱包形態 : エンボス梱包 PACKAGING : EMBOSSED TAPE AND REEL		

番号 NO.	部品 PART	材質 MATERIAL
①	ハウジング HOUSING	ポリアミド(PA),ガラス充填,UL94 V-0,色 : SHEET 1参照 POLYAMIDE (PA),GLASS FILLED,UL94 V-0,COLOR:SEE SHEET 1
②	ターミナル TERMINAL	黄銅 BRASS 錫めっき : 1.0 MICROMETER MINIMUM MATTE TIN PLATING ニッケルめっき(下地めっき) : 1.0 MICROMETER MINIMUM NICKEL PLATING (UNDER PLATING)
③	ネイル NAIL	黄銅 BRASS 錫めっき : 1.0 MICROMETER MINIMUM MATTE TIN PLATING ニッケルめっき(下地めっき) : 1.0 MICROMETER MINIMUM NICKEL PLATING (UNDER PLATING)



THIS DRAWING CONTAINS INFORMATION THAT IS PROPRIETARY TO MOLEX ELECTRONIC TECHNOLOGIES, LLC AND SHOULD NOT BE USED WITHOUT WRITTEN PERMISSION

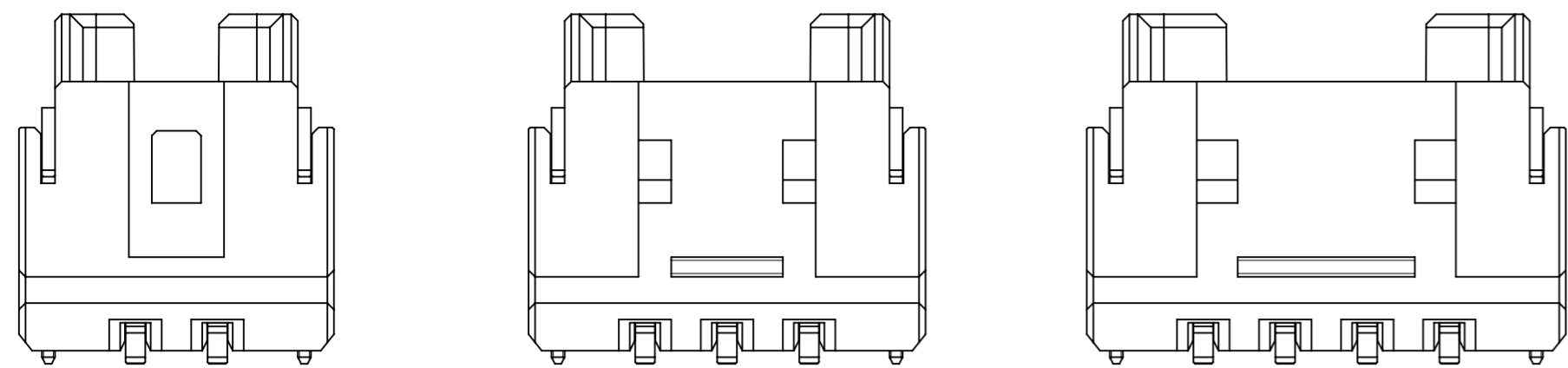
DIMENSION UNITS	SCALE	CURRENT REV DESC:	
mm	NTS		
GENERAL TOLERANCES (UNLESS SPECIFIED)		EC NO: 701596	
ANGULAR TOL ± 3.0°		4 PLACES ± 0.2	DRWN: RWATANABE01 2021/11/11
		3 PLACES ± 0.2	CHK'D: AIDA 2022/03/31
		2 PLACES ± 0.2	APPR: SAKIYAMA 2022/04/01
		1 PLACE ± 0.2	INITIAL REVISION:
		0 PLACES ± 0.2	DRWN: RWATANABE01 2021/11/11
			APPR: SAKIYAMA 2022/04/01
DRAFT WHERE APPLICABLE MUST REMAIN WITHIN DIMENSIONS		THIRD ANGLE PROJECTION	DRAWING SERIES MATERIAL NUMBER CUSTOMER SHEET NUMBER
		A2-SIZE	215932 SEE SHEET1 GENERAL 1 OF 3

**molex**

MINI-LOCK 2.5  
SINGLE ROW HEADER ASSEMBLY SMT RA

PRODUCT CUSTOMER DRAWING

DOCUMENT NUMBER: 2159320000-SD DOC TYPE: PSD DOC PART: 000 REVISION: A

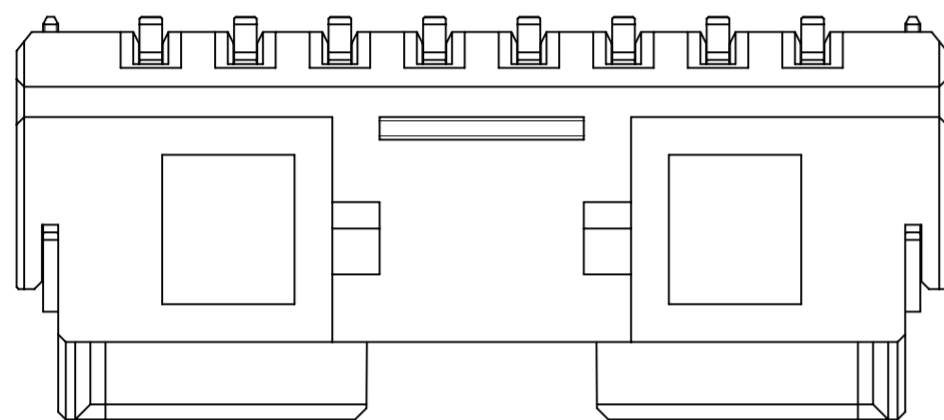


2CIRCUIT

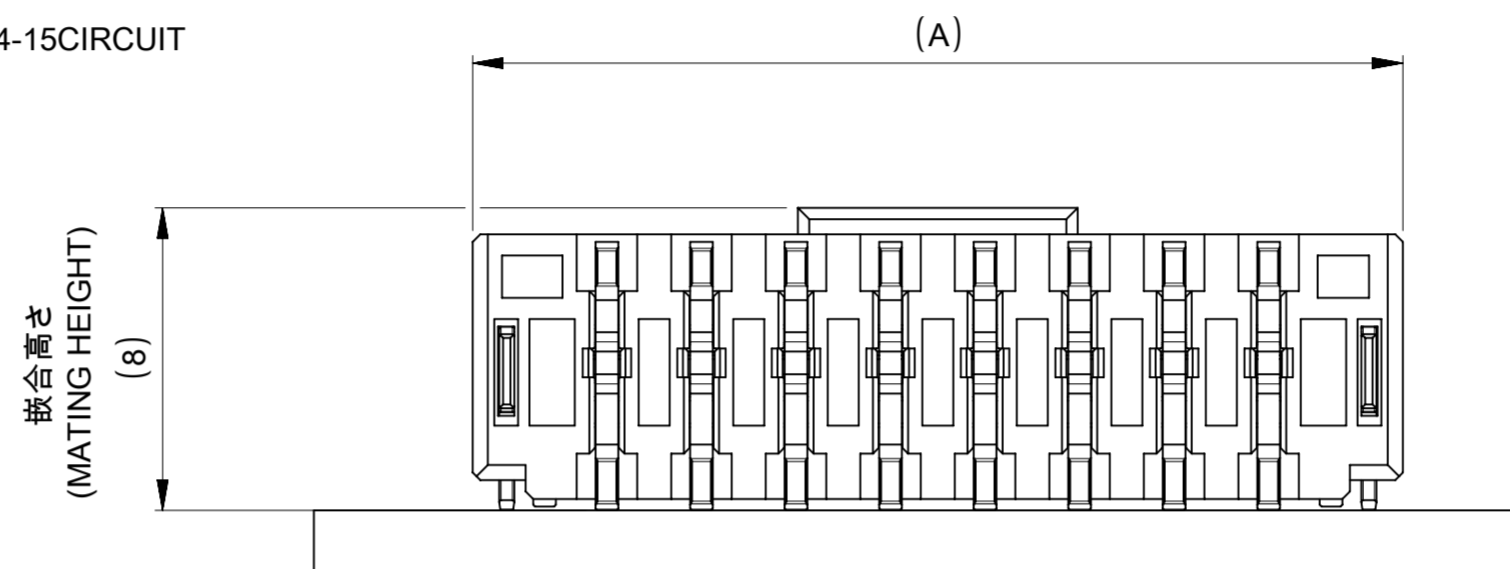
3CIRCUIT

4-15CIRCUIT

ロック形状図  
LOCK CONFIGURATION



製品レイアウト  
PRODUCT LAYOUT

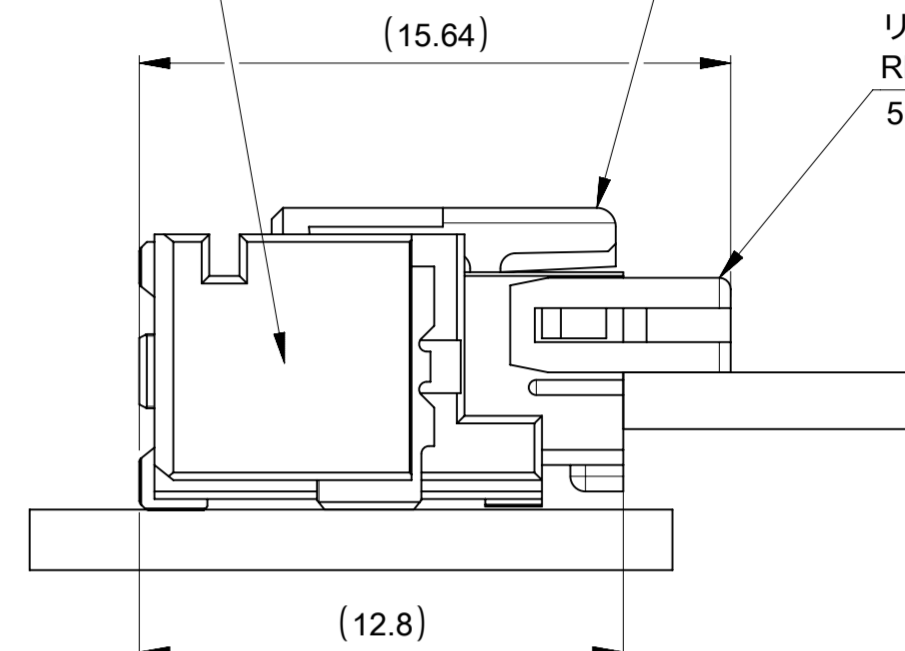


嵌合高さ  
(MATING HEIGHT)  
(8)

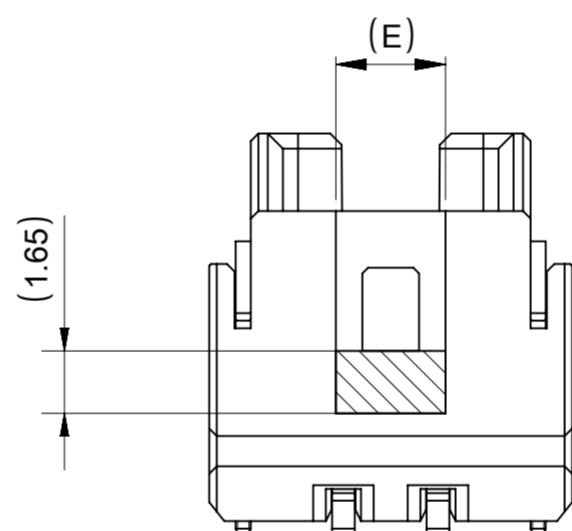
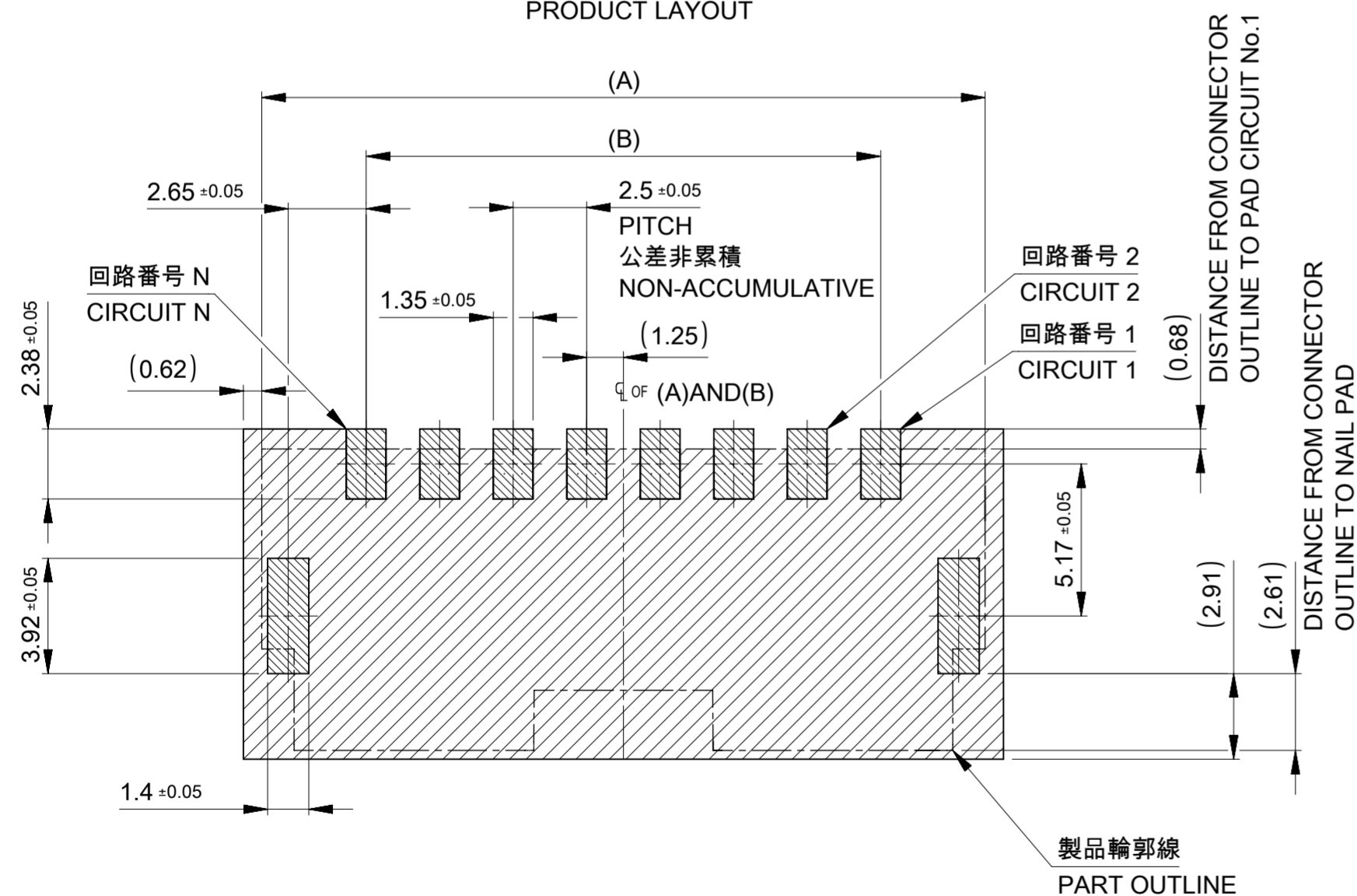
ヘッダー アセンブリ  
HEADER ASSEMBLY  
215932\*\*0\*

ハウジング  
HOUSING  
51163\*\*\*\*

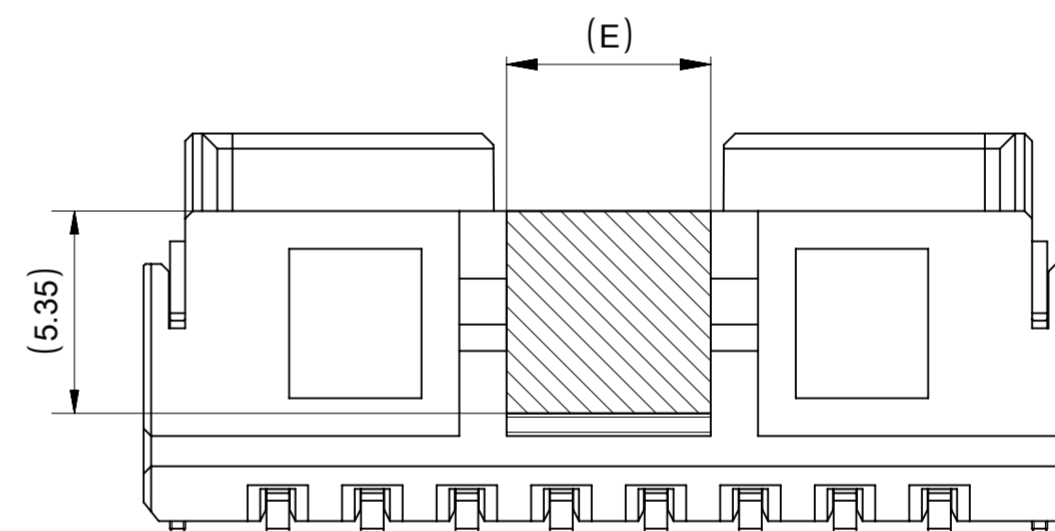
リテーナー  
RETAINER  
51164\*\*05



嵌合状態図  
MATED CONNECTORS



2CIRCUIT



3-15CIRCUIT

吸着範囲  
SUCTION AREA

5.4	15
5.4	14
5.4	13
5.4	12
5.4	11
5.4	10
5.4	9
5.4	8
5.4	7
5.4	6
5.4	5
5.4	4
3.4	3
2.9	2
E	極数 CIRCUIT SIZE

推奨基板レイアウト

RECOMMENDED PCB PATTERN LAYOUT

(参考 : 基板厚1.6mm, メタルマスク厚さ 0.15mm, マスク開口率 100%)  
(REFERENCE: PCB THICKNESS 1.6mm, STENCIL THICKNESS 0.15mm, APERTURE RATIO 100%)

パターン非推奨エリア

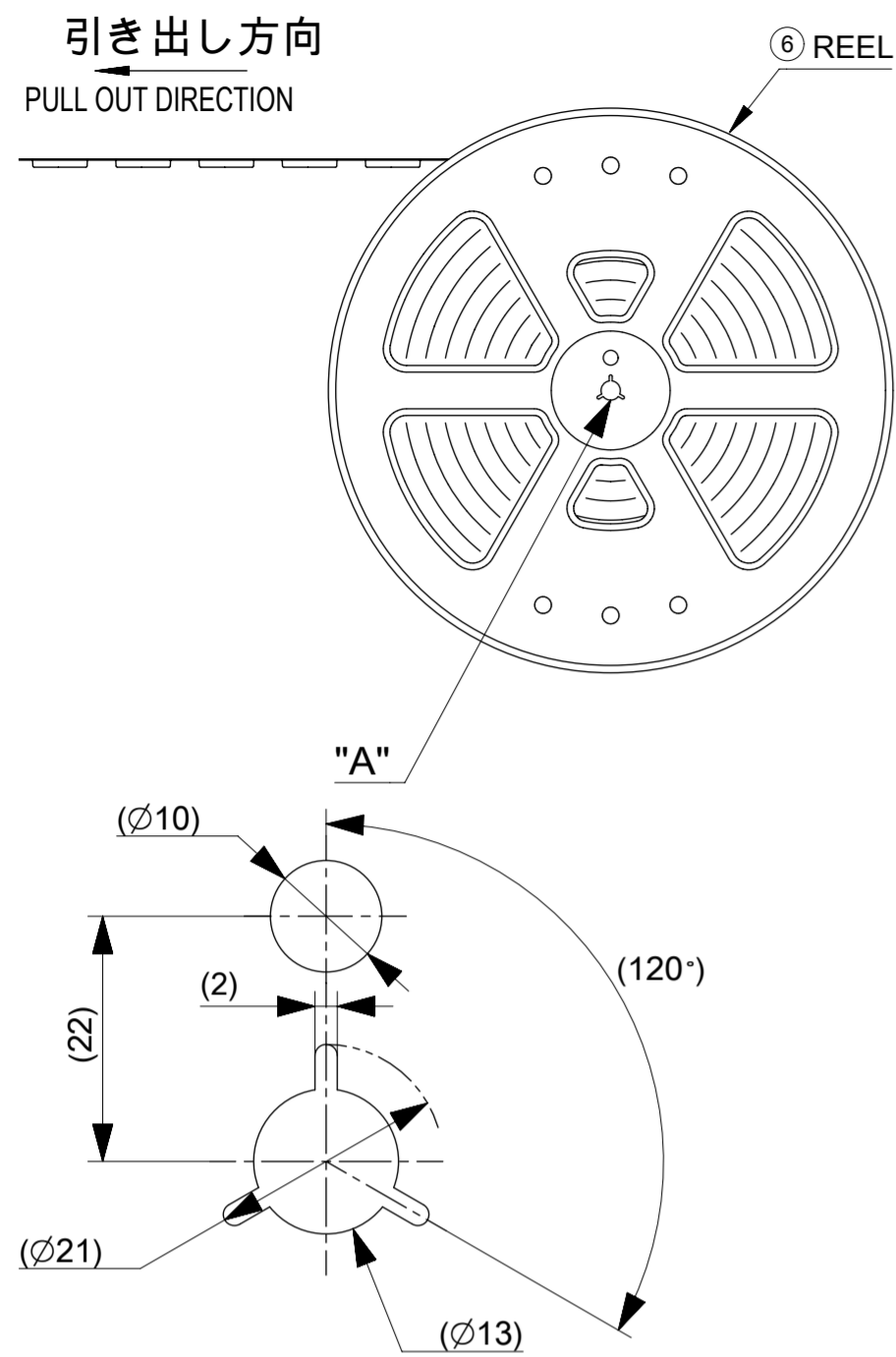
パターンを引き回す際は、製品機能に影響がないことをご確認ください。  
PATTERN IS NOT RECOMMENDED ON THE HATCHING AREA  
PLEASE CHECK NOT TO HAVE PROBLEM FOR PRODUCT FUNCTION  
WHEN SETTING PATTERN ON THE HATCHING AREA.

THIS DRAWING CONTAINS INFORMATION THAT IS PROPRIETARY TO MOLEX ELECTRONIC TECHNOLOGIES, LLC AND SHOULD NOT BE USED WITHOUT WRITTEN PERMISSION

DIMENSION UNITS	SCALE	CURRENT REV DESC:											
mm	NTS												
GENERAL TOLERANCES (UNLESS SPECIFIED)				MINI-LOCK 2.5 SINGLE ROW HEADER ASSEMBLY SMT RA  PRODUCT CUSTOMER DRAWING									
ANGULAR TOL ± 3.0°													
4 PLACES ± 0.2		EC NO: 701596											
3 PLACES ± 0.2		DRWN: RWATANABE01 2021/11/11											
2 PLACES ± 0.2		CHK'D: AIDA 2022/03/31											
1 PLACE ± 0.2		APPR: SAKIYAMA 2022/04/01											
0 PLACES ± 0.2				INITIAL REVISION:									
DRAFT WHERE APPLICABLE MUST REMAIN WITHIN DIMENSIONS		THIRD ANGLE PROJECTION		DRAWING		SERIES		MATERIAL NUMBER		CUSTOMER		SHEET NUMBER	
		A2-SIZE		215932		SEE SHEET1		GENERAL		2 OF 3			

DOCUMENT NUMBER	DOC TYPE	DOC PART	REVISION
2159320000-SD	PSD	000	A

DOCUMENT STATUS	P1	RELEASE DATE	2022/04/01	10:28:20
-----------------	----	--------------	------------	----------



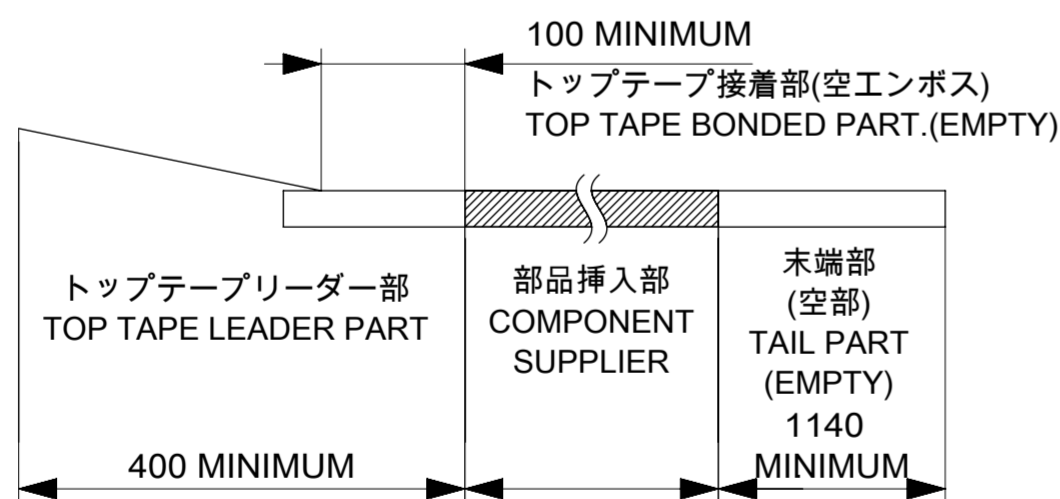
H ± 1.0  
J ± 1.0

DETAIL "D"

NOTES

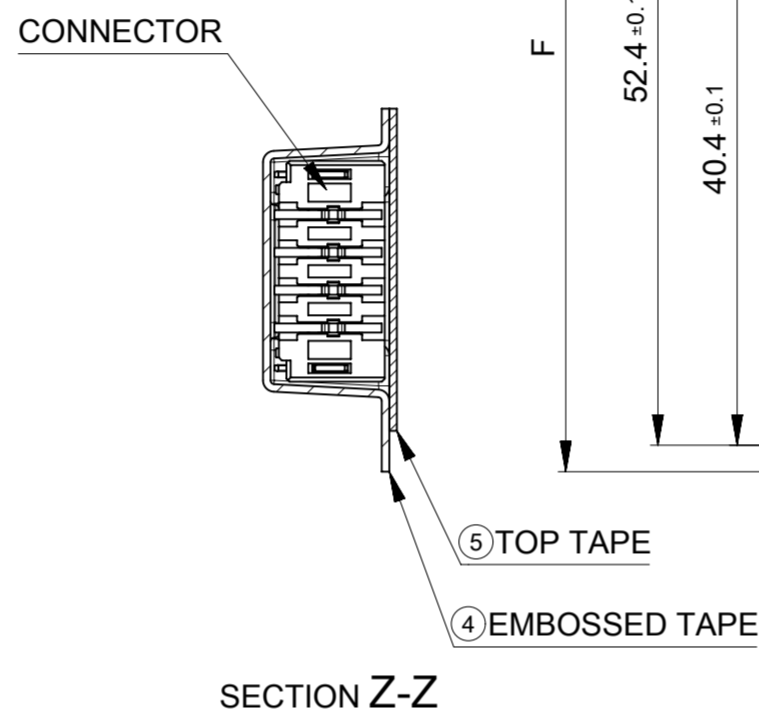
- 9. 梱包数量 : 440個 / リール  
NUMBER OF CONNECTORS : 440 PIECES/REEL.
- 10. リードテープ長さ  
LEAD TAPE LENGTH.

引き出し方向  
PULL OUT DIRECTION

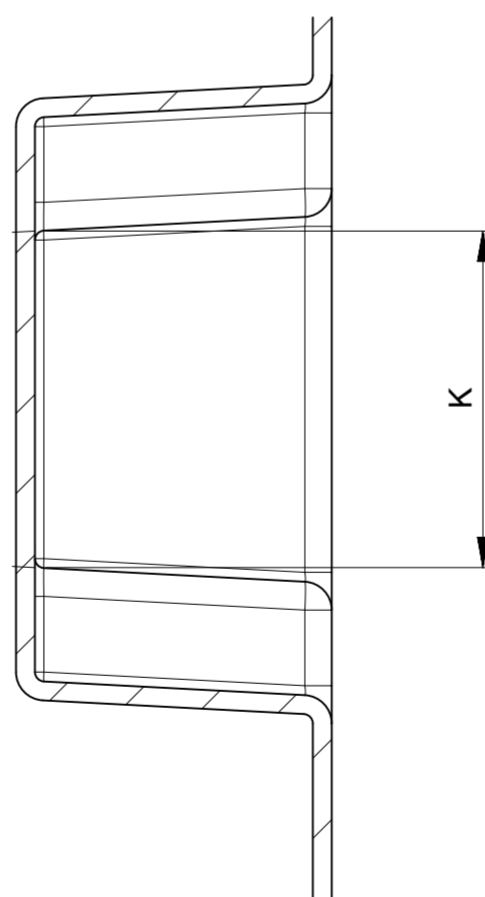


- 11. トップテープの剥離強度はIEC60286-3に準拠  
TOP TAPE PEELING FORCE IS DEFINED BY IEC60286-3
- 12. 梱包仕様書 : 2159329200-SPK 200  
PACKAGING SPECIFICATION: 2159329200-SPK 200

引き出し方向  
PULL OUT DIRECTION

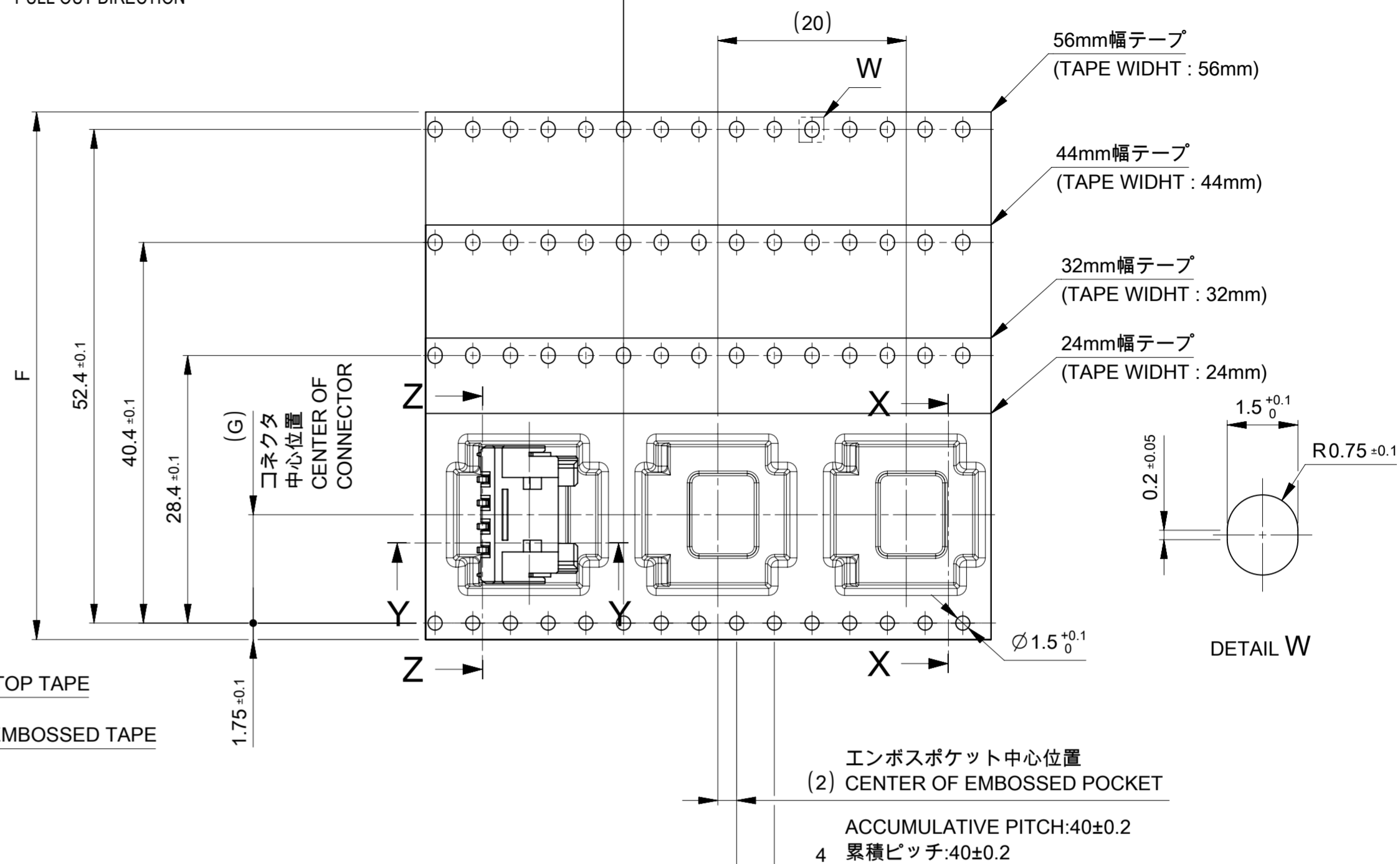


SECTION Z-Z

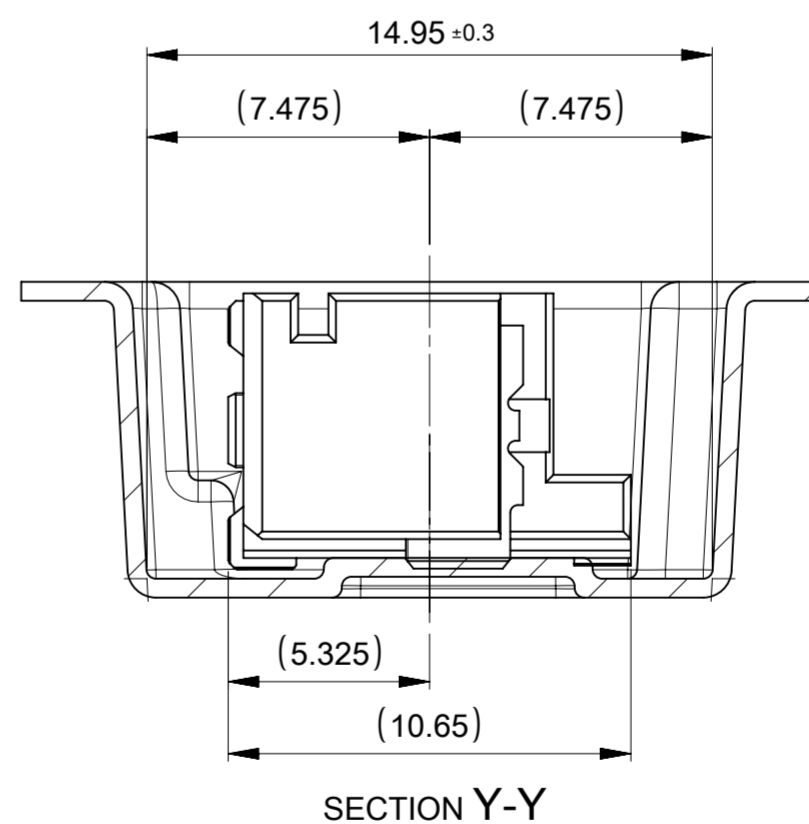


SECTION X-X

送り穴とのずれ量 0.05 MAX  
(SKEW BETWEEN ROUND AND ELONGATED SPROCKET HOLE)



DETAIL W



SECTION Y-Y

36.4						15
33.9						14
31.4	61.4	57.4	26.2	56 ± 0.3		13
28.9						12
26.4						11
23.9						10
21.4						9
18.9	49.4	45.4	20.2	44 ± 0.3		8
16.4						7
13.9						6
11.4	37.4	33.4	14.2	32 ± 0.3		5
8.9						4
6.4	29.4	25.4	11.5	24 <sup>+0.3</sup> / <sub>-0.1</sub>		3
3.9						2
K	J	H	G	F	極数	CIRCUIT SIZE

THIS DRAWING CONTAINS INFORMATION THAT IS PROPRIETARY TO MOLEX ELECTRONIC TECHNOLOGIES, LLC AND SHOULD NOT BE USED WITHOUT WRITTEN PERMISSION

DIMENSION UNITS	SCALE	CURRENT REV DESC:	<b>molex</b>			
mm	NTS					
GENERAL TOLERANCES (UNLESS SPECIFIED)			MINI-LOCK 2.5 SINGLE ROW HEADER ASSEMBLY SMT RA			
ANGULAR TOL	± 3.0°	EC NO: 701596	PRODUCT CUSTOMER DRAWING			
4 PLACES	± 0.2	DRWN: RWATANABE01 2021/11/11	DOCUMENT NUMBER			
3 PLACES	± 0.2	CHK'D: AIDA 2022/03/31	DOC TYPE   DOC PART   REVISION			
2 PLACES	± 0.2	APPR: SAKIYAMA 2022/04/01	2159320000-SD   PSD   000   A			
1 PLACE	± 0.2	INITIAL REVISION:	MATERIAL NUMBER			
0 PLACES	± 0.2	DRWN: RWATANABE01 2021/11/11	CUSTOMER			
		APPR: SAKIYAMA 2022/04/01	SHEET NUMBER			
DRAFT WHERE APPLICABLE MUST REMAIN WITHIN DIMENSIONS	THIRD ANGLE PROJECTION	DRAWING	SERIES	MATERIAL NUMBER	CUSTOMER	SHEET NUMBER
		A2-SIZE	215932	SEE SHEET1	GENERAL	3 OF 3