

ITEM	PART#	DESCRIPTION	QTY	UOM
A	2053410202	PICO-LOCK 2.0 W/B REC HSG 2P	1	PC
B	2053425028	PICO-LOCK 2.0 W/B REC TERM PL AWG#20-22	2	PC
C	--	PAPER PRINTED PAPER WHITE	1	PC

FROM	TO	DESCRIPTION	COLOR
A1	--	1X20AWG DISC SR-PVC BK UL10002	BLACK
A2	--	1X20AWG DISC SR-PVC BK UL10002	BLACK

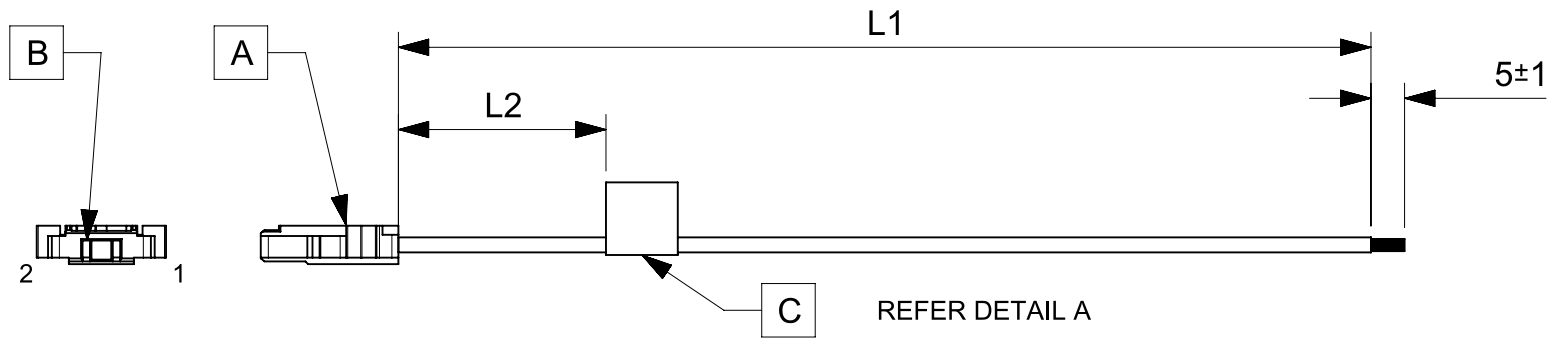


TABLE			
PART NUMBER	L1	L2 (REF)	TITLE
2196572020	50±3	15	Pico-Lock 2.0 R-S 2ckt 50mm disc Au
2196572021	100±3	15	Pico-Lock 2.0 R-S 2ckt 100mm disc Au
2196572022	150±4	15	Pico-Lock 2.0 R-S 2ckt 150mm disc Au
2196572023	300±4	15	Pico-Lock 2.0 R-S 2ckt 300mm disc Au
2196572024	600±6	15	Pico-Lock 2.0 R-S 2ckt 600mm disc Au

NOTES

1. Connector view shown is from mating side.
2. Label text must be 2mm max. in height with Arial font.
3. Label must be wrapped in Flag type on a single cable.
4. Free ends must be stripped, twisted & tinned. The length of tinning is 5±1mm. Tinning Dia must be 1.25mm Max.

MOLEX P/N
MOLEX
BATCH WK/YR
DETAIL A

REVISION			
DATE	REV	DESCRIPTION	CHANGER
2021/12/27	A	INITIAL RELEASE	SAIKIG

FUNCTIONAL SYMBOLS $\nabla_A = 0$ $\nabla_E = 0$ $\nabla_P = 0$ DIVISIONAL SYMBOLS	DIMENSION UNITS: mm SCALE: NTS		CURRENT REV DESC:					
	GENERAL TOLERANCES (UNLESS SPECIFIED)		EC NO: 690897			SEE TABLE		
	ANGULAR TOL ± °		DRWN: SAIKIG 2021/12/27					
	4 PLACES ±		CHK'D: MNARAYAN01 2022/01/13					
3 PLACES ±		APPR: MNARAYAN01 2022/01/13		PRODUCT CUSTOMER DRAWING				
2 PLACES ±		INITIAL REVISION:		DOCUMENT NUMBER	DOC TYPE	DOC PART	REVISION	
1 PLACE ±		DRWN: SAIKIG 2021/12/27		2196572020	PSD	000	A	
0 PLACES ±		APPR: MNARAYAN01 2022/01/13		MATERIAL NUMBER		CUSTOMER		SHEET NUMBER
DRAFT WHERE APPLICABLE MUST REMAIN WITHIN DIMENSIONS		THIRD ANGLE PROJECTION	DRAWING	SERIES	MATERIAL NUMBER	CUSTOMER	SHEET NUMBER	
				A4-SIZE	219657	SEE TABLE	GENERAL MARKET	1 OF 1