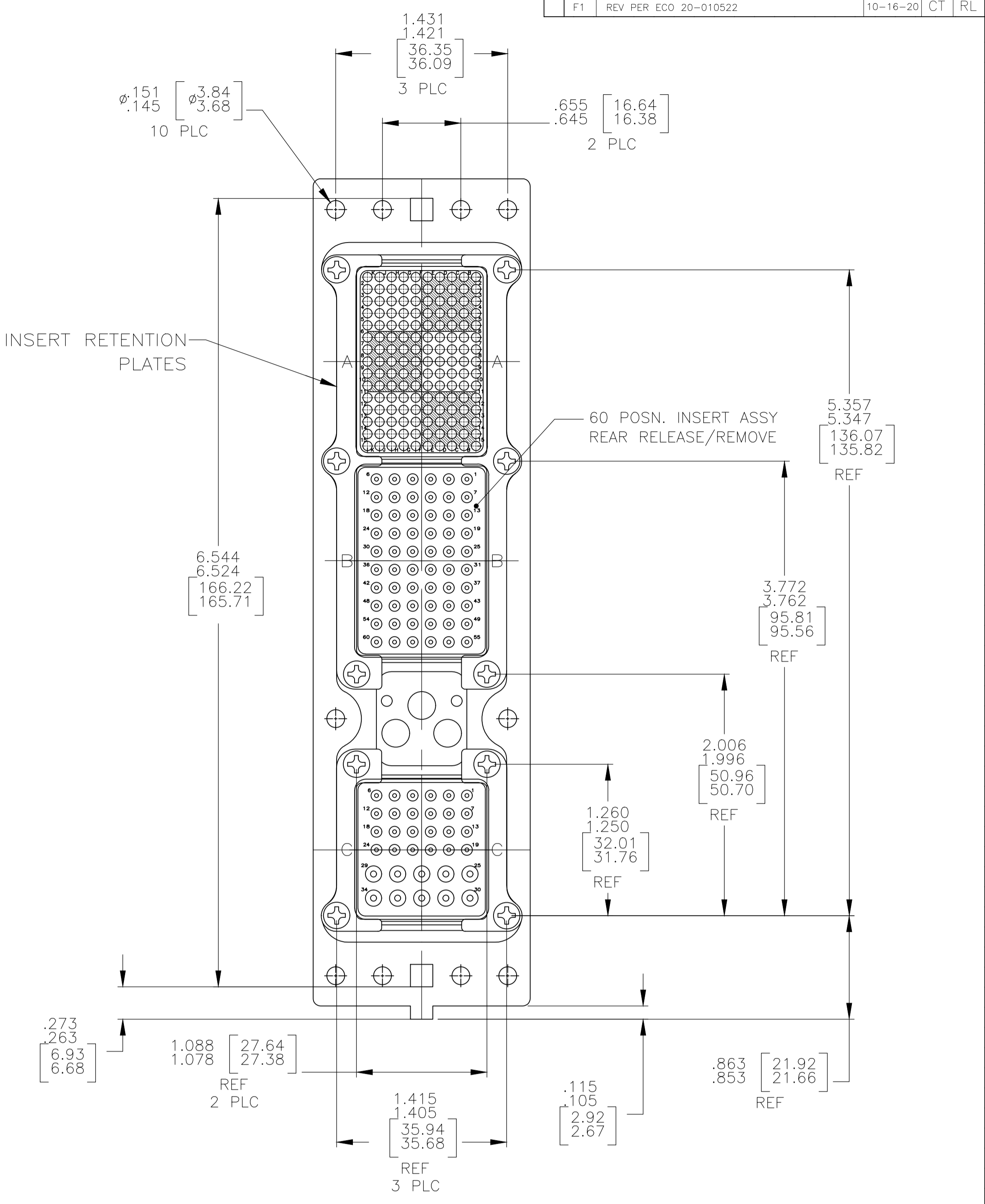
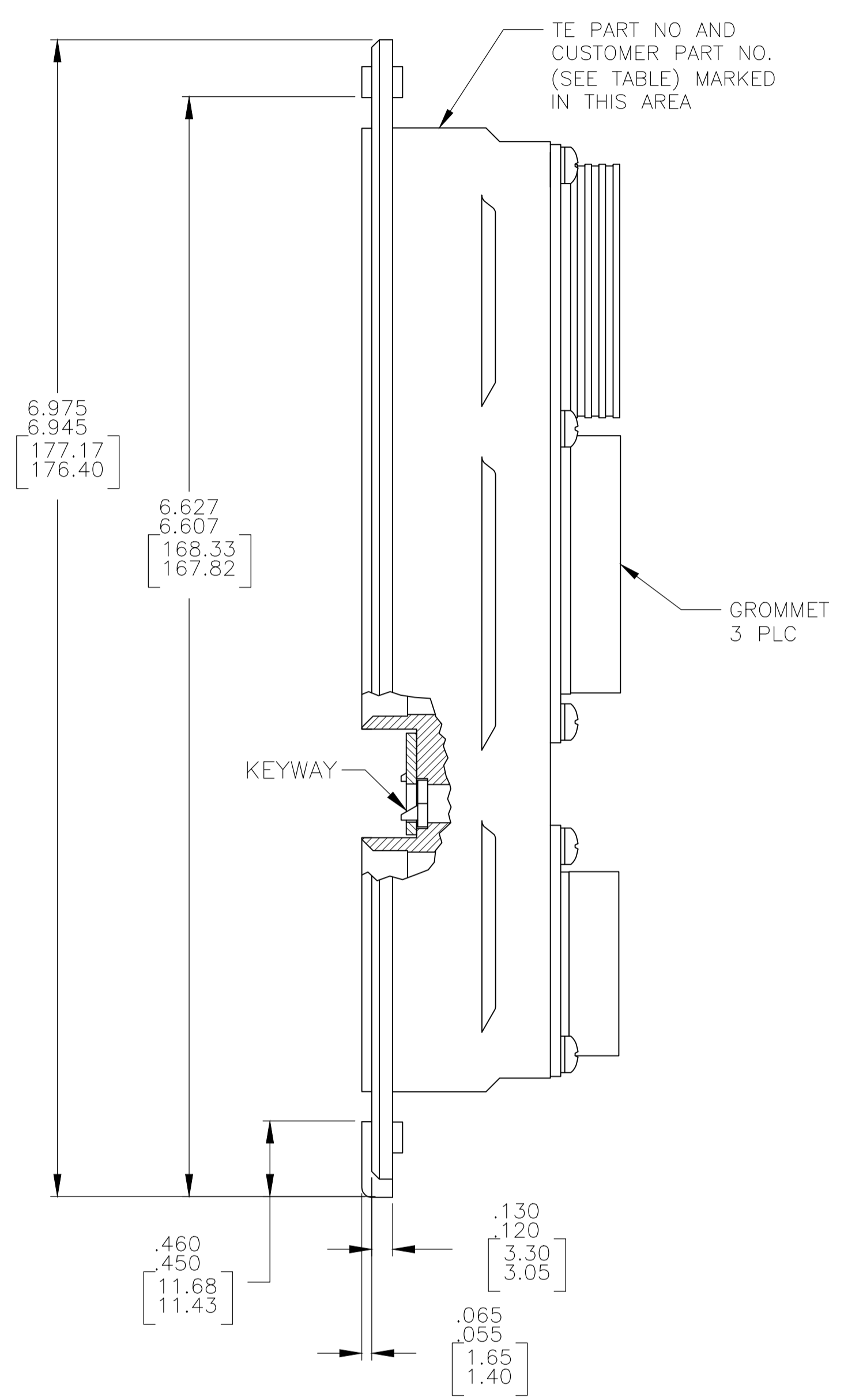
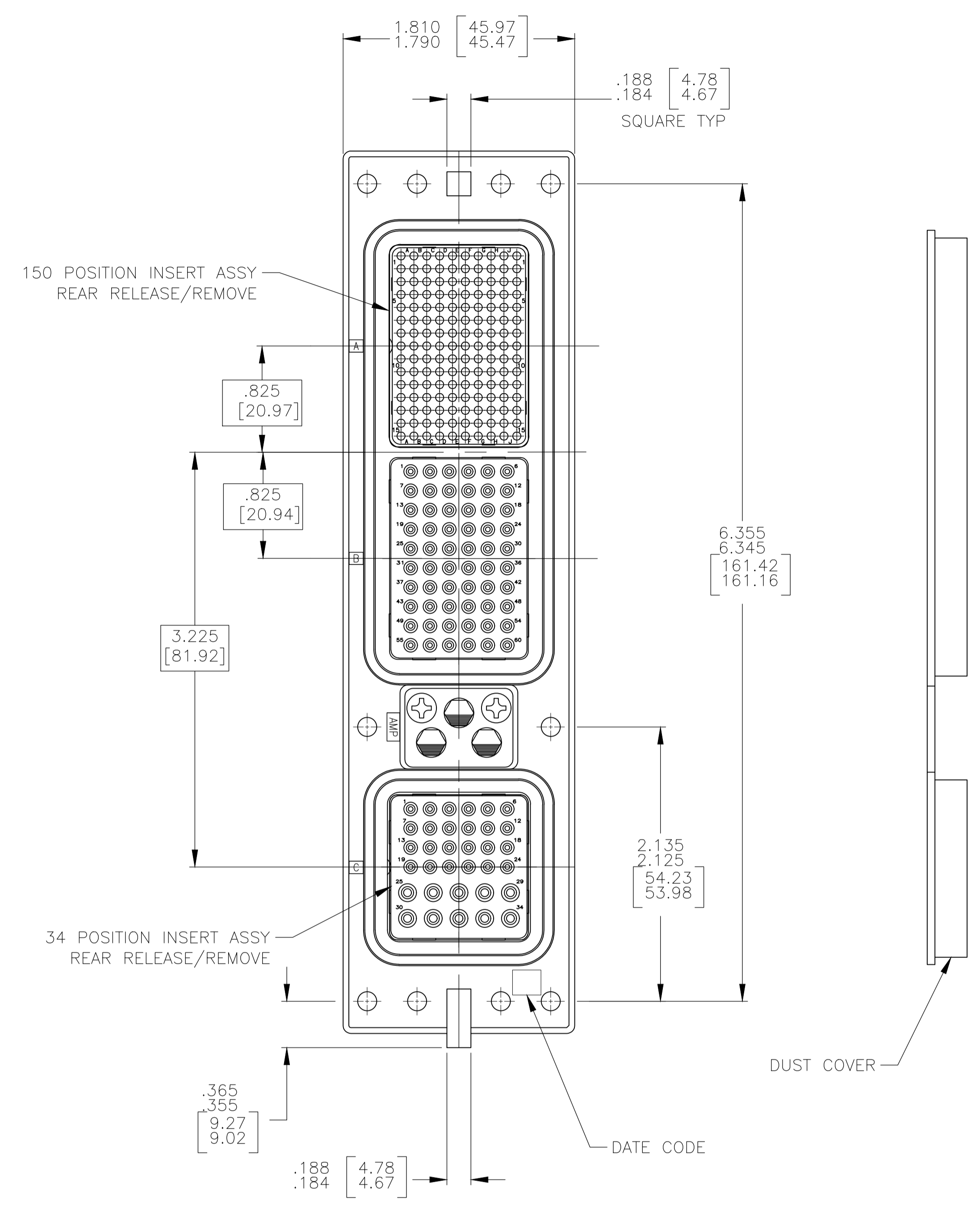


| REVISIONS | | | | | |
|-----------|-------------|-------------|----------|-----|------|
| P | LTR | DESCRIPTION | DATE | OWN | APVD |
| F1 | REV PER ECO | 20-010522 | 10-16-20 | CT | RL |



- CONNECTOR DIMENSIONS ARE PER ARINC 600 SPECIFICATION
- DUST COVER INSTALLED FOR SHIPPING.
- KEYING SHOWN IN POSITION "01" FOR REFERENCE ONLY. SEE TABLE FOR KEYING POSITION. FOR POSITION "00" KEYING SHIPPED UNASSEMBLED.
- CONTACTS PACKAGED SEPARATELY AND SHIPPED WITH CONNECTOR.

| COMPONENT | MATERIAL | FINISH |
|--------------------------------|--|------------------------------------|
| SHELL | DIE CAST ALUMINUM PER ASTM-B-85 | ELECTROLESS NICKEL PER MIL-C-26074 |
| INSERT RETENTION PLATES | ALUMINUM ALLOY PER ASTM-B-209 | ELECTROLESS NICKEL PER MIL-C-26074 |
| SCREWS AND LOCKWASHERS | STEEL OR STAINLESS STEEL | CHROMATE OVER ZINC OR PASSIVATED |
| POLARIZING KEYS | ZINC ALLOY PER ASTM-B-86 | - |
| POLARIZING KEY RETAINING PLATE | ALUMINUM ALLOY PER ASTM-B-209 | BLUE ANODIZED PER MIL-A-8625 |
| INSERTS | THERMOSET OR THERMOPLASTIC PPS PER MIL-M-24519 | - |
| DUST COVER | CONDUCTIVE THERMOPLASTIC | - |

| KEYING POSITION | CONTACTS INCLUDED AND NOT INSTALLED | PART NUMBER |
|-----------------|--|-------------|
| "55" | MODULE A 208264-2 (SZ 22 CRIMP SOCKET CONTACT; QTY=150) MODULE B 208265-3 (SZ 20 CRIMP PIN CONTACT; QTY=60) MODULE C 208265-3 (SZ 20 CRIMP PIN CONTACT; QTY=24) 208268-3 (SZ 16 CRIMP PIN CONTACT; QTY=10) | 2221458-2 |
| "01" | MODULE A 208264-2 (SZ 22 CRIMP SOCKET CONTACT; QTY=150) MODULE B 208265-3 (SZ 20 CRIMP PIN CONTACT; QTY=60) MODULE C 208265-3 (SZ 20 CRIMP PIN CONTACT; QTY=24) 208268-3 (SZ 16 CRIMP PIN CONTACT; QTY=10) | 2221458-1 |

| | |
|-------------------|-------------|
| BACC66C51F55AA | 2221458-2 |
| BACC66G51F01AA | 2221458-1 |
| CUSTOMER PART NO. | TE PART NO. |

THIS DRAWING IS A CONTROLLED DOCUMENT.

DIN: C.C.THOMAS 9-26-12
 CHK: W.BERNHART 9-26-12
 APVD: W.BERNHART 9-26-12

TE Connectivity

RCPT ASSY, SIZE 2, ARINC 600 (150/60/34), RR WITH GROMMETS

SIZE: A1
 CAGE CODE: 00779
 DRAWING NO: 2221458
 WEIGHT: 0.000000
 SCALE: 3:2
 SHEET: 1 OF 1
 REV: F1