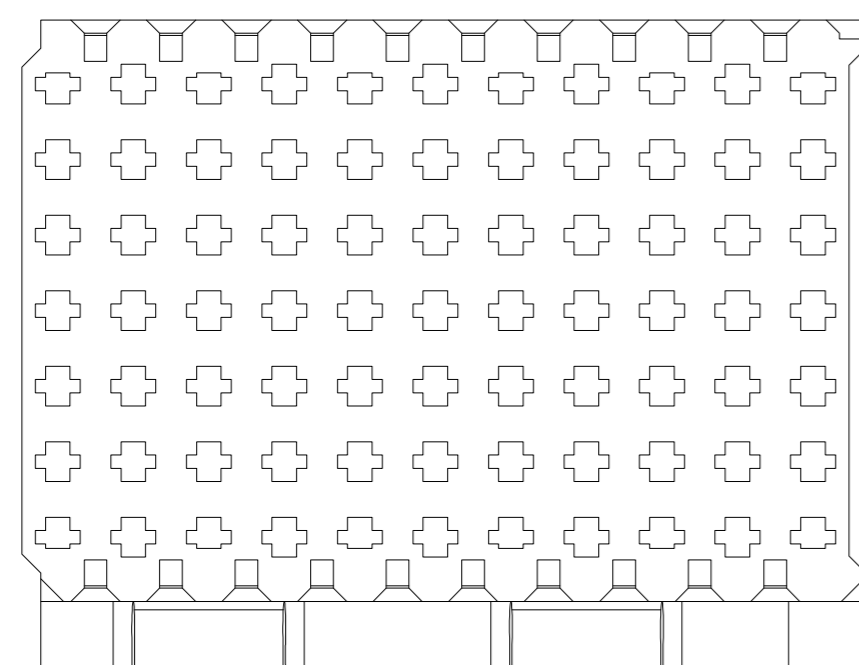
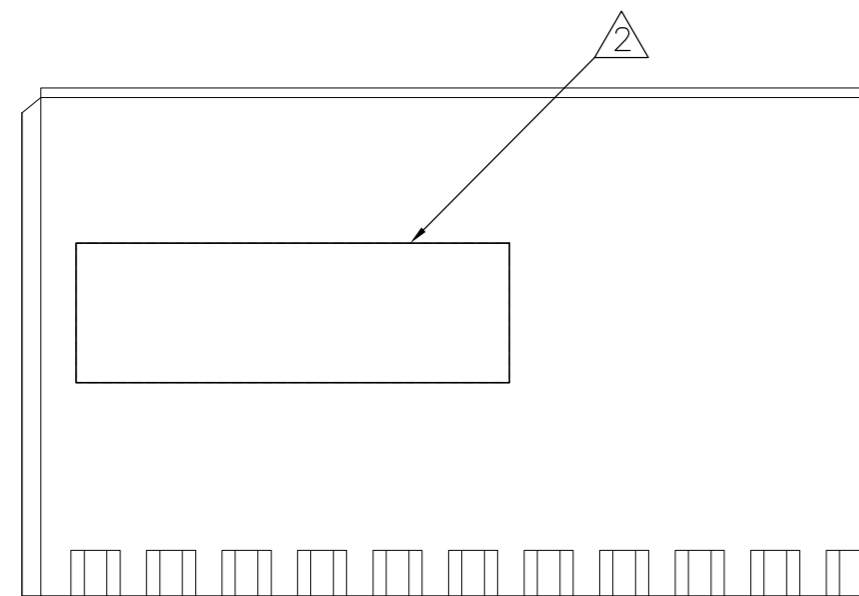
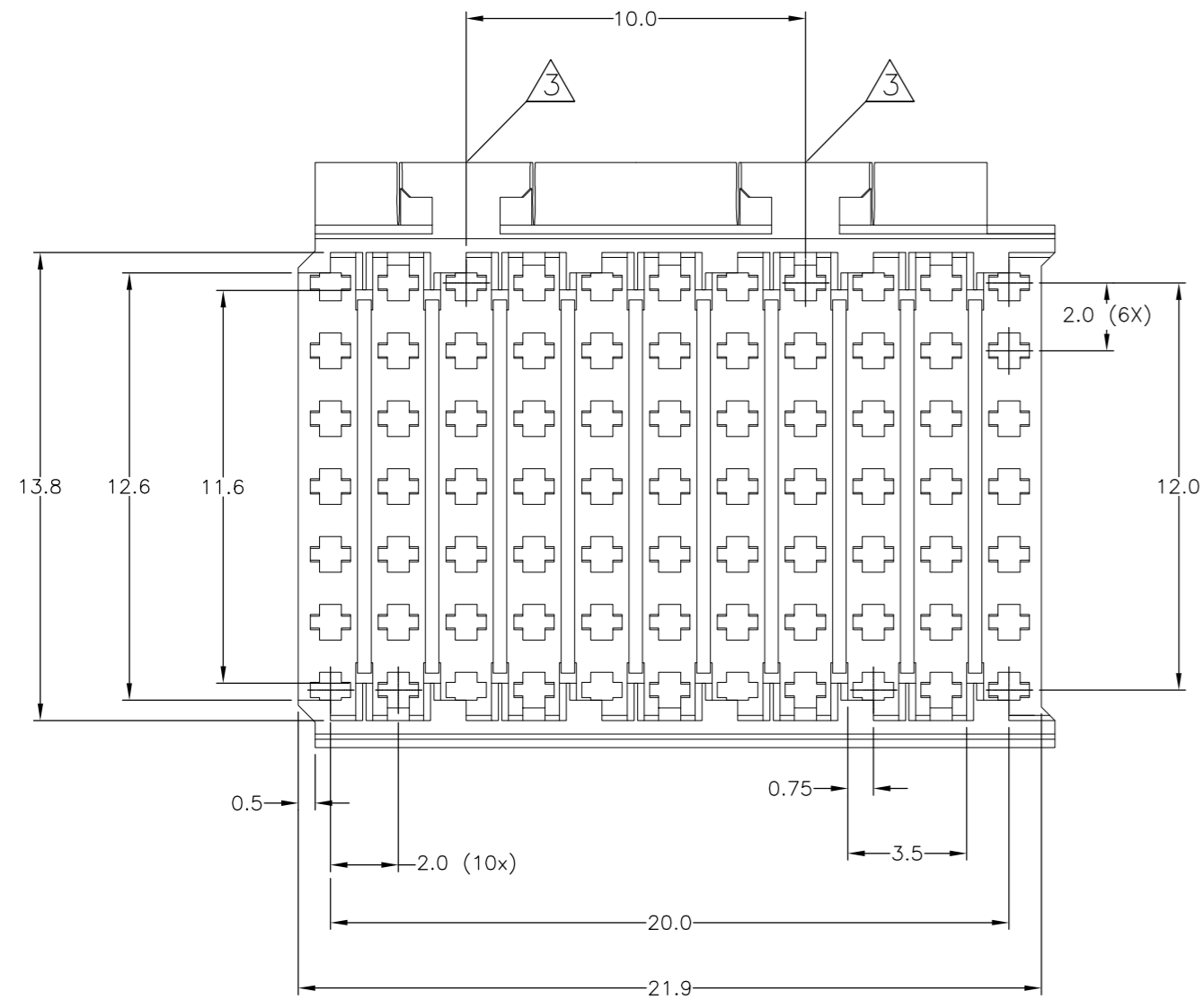


DO NOT SCALE
DIMENSIONS IN mm

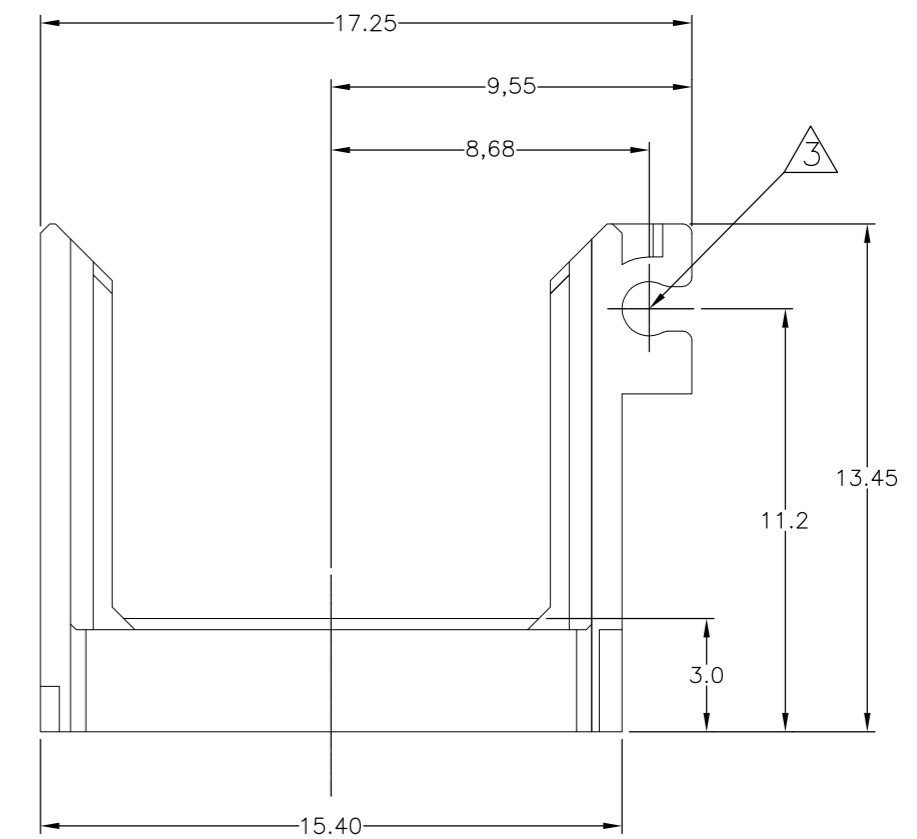
METRIC

THIRD ANGLE
PROJECTION



NOTES:

- △ MATERIAL SHROUD: GLASS FILLED POLYCARBONAAT
- △ SHROUD PRINTED (AT OTHER SIDE) WITH P/N AND DATECODE
- △ FITS SNAP LATCH P/N 352706-1 (9.8mm width)
- 4 352674-2 AS SHOWN



352674-2		△		LIF CABLE CONNECTOR SHROUD 21,9mm	
PARTNUMBER		MATERIAL		DESCRIPTION	
-		-		CUSTOMER DRAWING FOR REFERENCE ONLY WILL NOT BE UPDATED	
-		-		© COPYRIGHT 19 98 BY AMP HOLLAND B.V. ALL INTERNATIONAL RIGHTS RESERVED. AMP PRODUCTS MAY BE COVERED BY U.S. AND FOREIGN AND/OR PATENTS PENDING.	
-		-		THIS DRAWING IS UNPUBLISHED RELEASED FOR PUBLICATION _____, 19 _____	
C ECR-15-017390		WL	FY	8-DEC-15	
B SR10-0163-03		DP	DP	02-JUN-03	
A EH00-0979-98		WvdH	WvdH	24-11-99	
LTR.	REVISION RECORD	DR.	CHK.	DATE	
DR.: W.v.d.Heijden		CHK.: W.v.d.Heijden		APP.: F.v.Koningsbrugge	
DATE: 25-05-99		DATE: 25-05-99		DATE: 24-11-99	
4		3		2	
DWG.No.		C-352674		REV.LTR.	
1 of 1		C		SHEET	
A2		1		2	