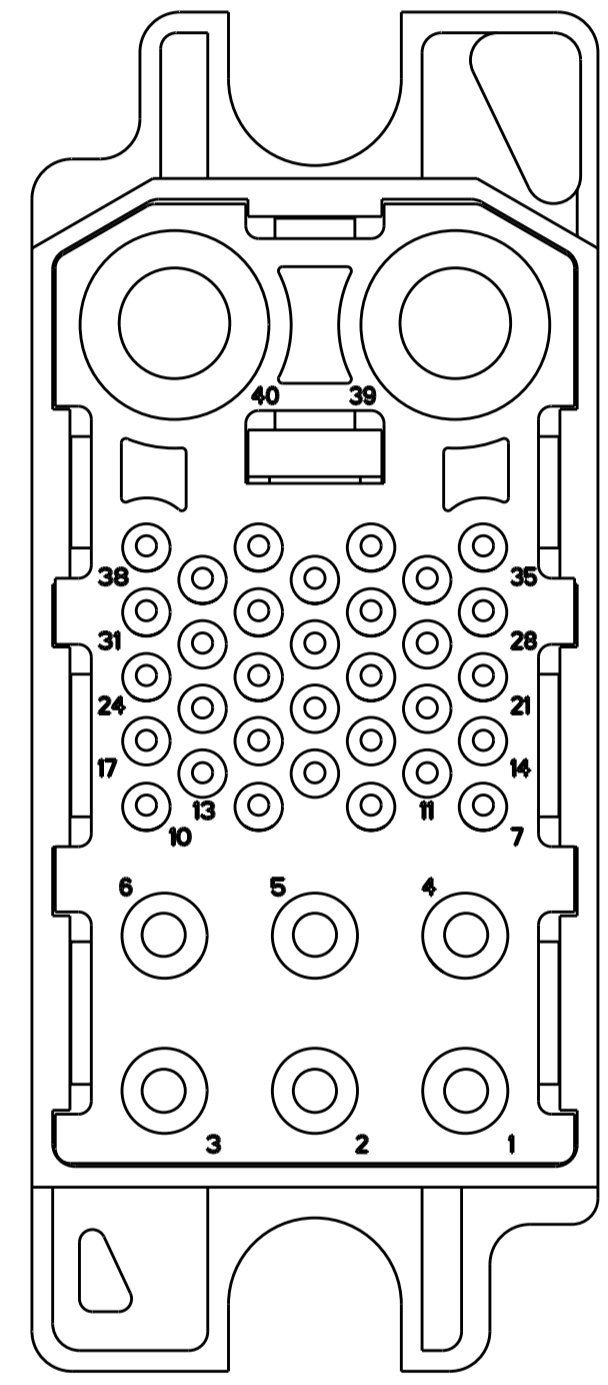
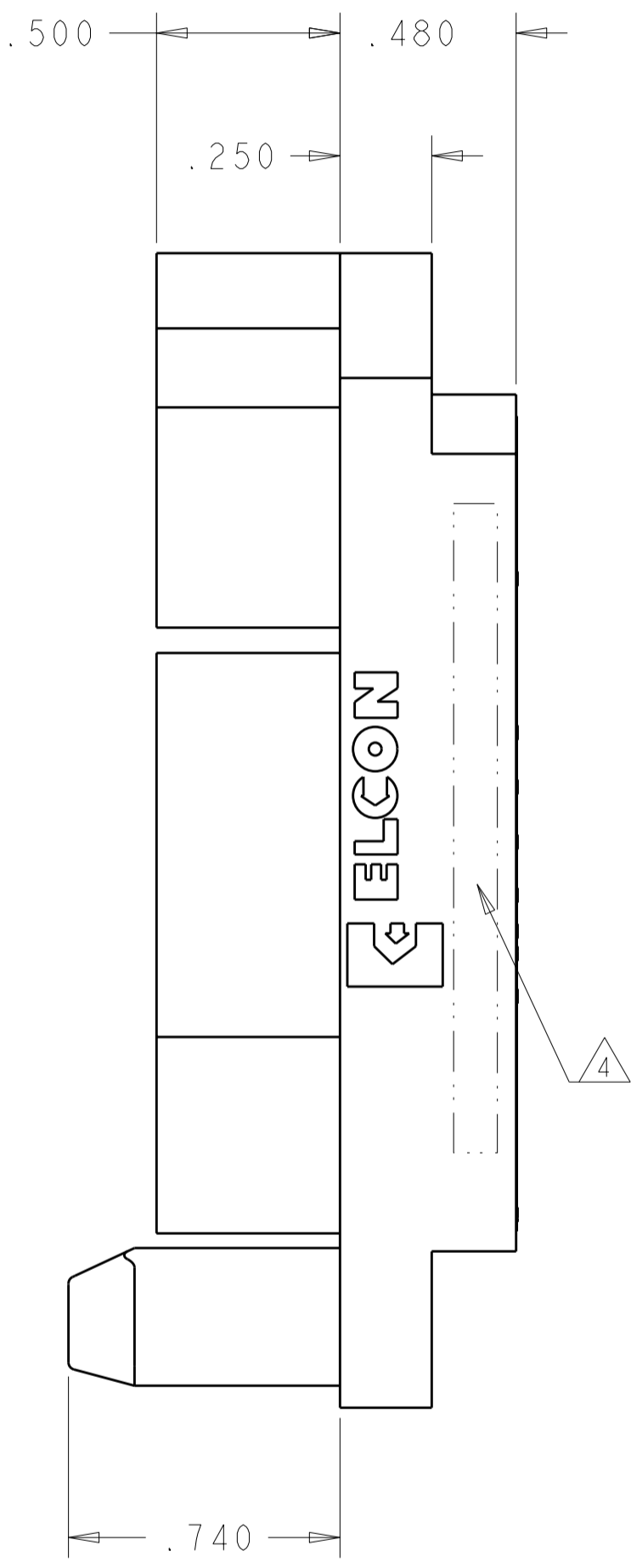
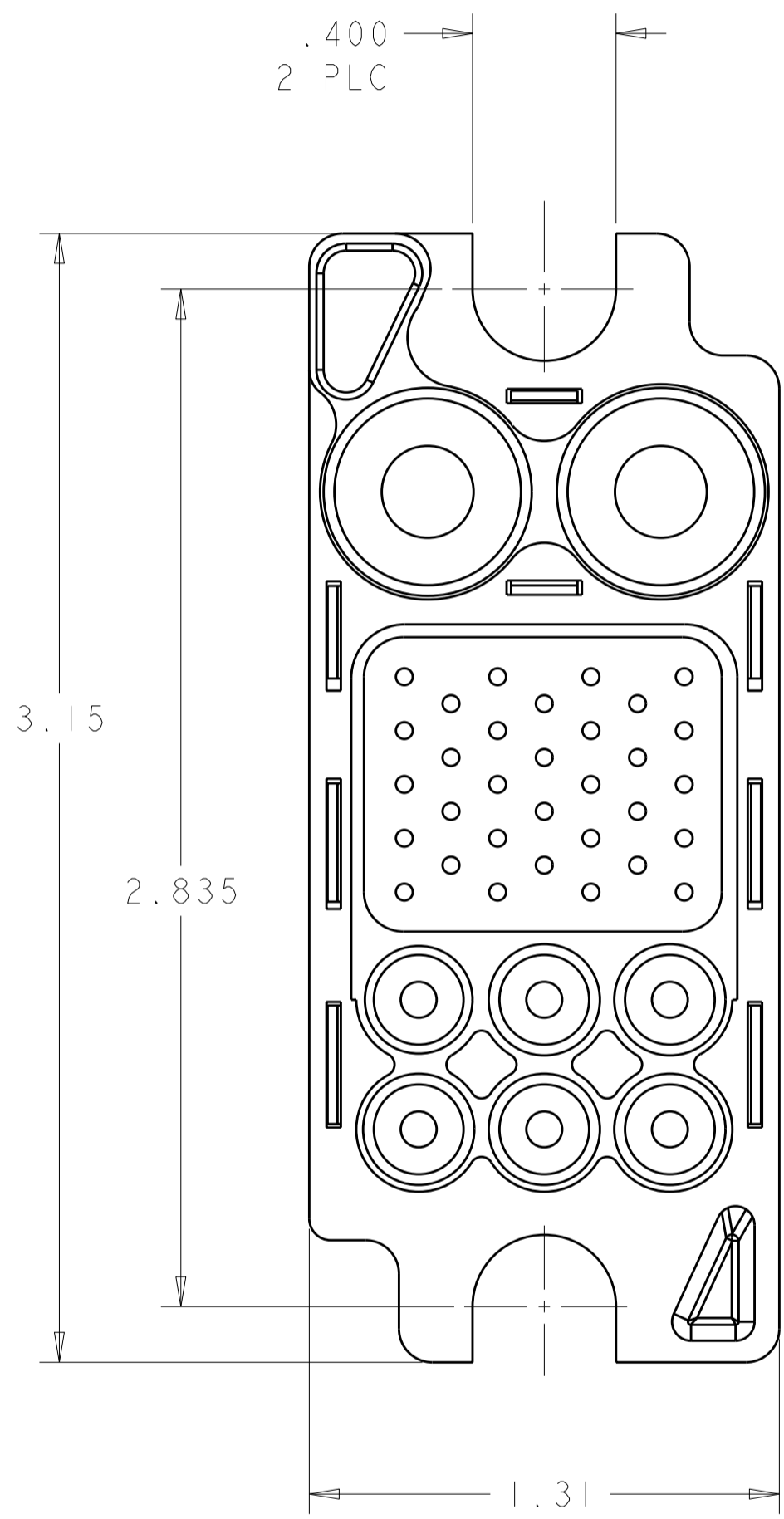


THIS DRAWING IS UNPUBLISHED. RELEASED FOR PUBLICATION 20
 © COPYRIGHT 20 BY TYCO ELECTRONICS CORPORATION. ALL RIGHTS RESERVED.

LOC		DIST		REVISIONS			
P	LTR	DESCRIPTION	DATE	DWN	APVD		
GP	00	A	RELEASED	11MAY2006	RG	SF	
		B	REV PER ECO-11-008901	29APR2011	RG	DO	



- PIN CONTACTS SIZE #4 (D)
- PIN CONTACTS SIZE #20 (B)
- PIN CONTACTS SIZE #12 (C)

REAR VIEW

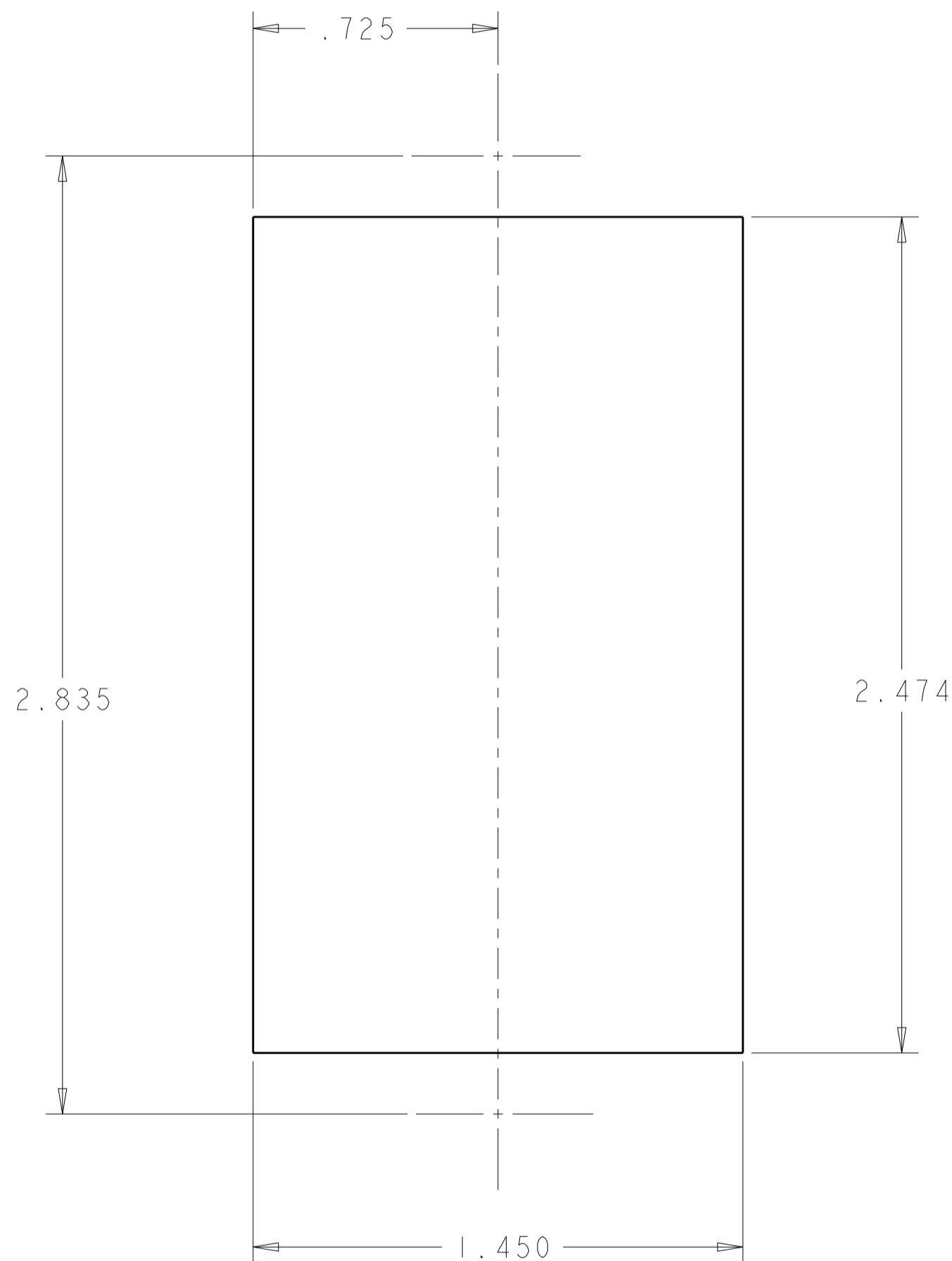
ELCON MIDDLE DRAWER

AS SHOWN	6643169-1
DESCRIPTION	PART NUMBER

THIS DRAWING IS A CONTROLLED DOCUMENT FOR TYCO ELECTRONICS CORPORATION. IT IS SUBJECT TO CHANGE AND THE CONTROLLING ENGINEERING ORGANIZATION SHOULD BE CONTACTED FOR THE LATEST REVISION.		DWN R.GRZYBOWSKI 11MAY2006	Tyco Electronics Harrisburg, PA 17105-3608
DIMENSIONS: INCHES		CHK S.FLICKINGER 11MAY2006	
TOLERANCES UNLESS OTHERWISE SPECIFIED:		APVD S.FLICKINGER 11MAY2006	
0 PLC ± 1 PLC ± 2 PLC ±.01 3 PLC ±.006 4 PLC ± ANGLES ± FINISH ±		PRODUCT SPEC -	
MATERIAL -		APPLICATION SPEC -	NAME CONNECTOR, PIN CRIMP CONTACT 125A MIDDLE DRAWER
		WEIGHT -	SIZE A2 CAGE CODE 00779 DRAWING NO. C-6643169 RESTRICTED TO -
CUSTOMER DRAWING			SCALE 2:1 SHEET 1 OF 2 REV B

THIS DRAWING IS UNPUBLISHED. RELEASED FOR PUBLICATION 20
 © COPYRIGHT 20 BY TYCO ELECTRONICS CORPORATION. ALL RIGHTS RESERVED.

LOC	DIST	REVISIONS					
GP	00	P	LTR	DESCRIPTION	DATE	DWN	APVD
		-		SEE SHEET 1			



SUGGESTED PANEL CUTOUT
 VIEW FROM CONNECTOR MOUNTING SIDE

1. PART NUMBER CHANGES AND OR DESIGN CHANGES AFFECTING THE INTERCHANGEABILITY REQUIRE PRIOR TYCO APPROVAL AND AUTHORIZATION BY REVISION TO THIS DRAWING.

2. MATERIAL:
 INSULATOR: THERMOPLASTIC, GLASS REINFORCED, UL 94V-0
 FLAMMABILITY RATED, COLOR: BLACK
 CONTACT: COPPER ALLOY
 RETENTION CLIP: BERYLLIUM COPPER OR STAINLESS STEEL
 SHOULDER SCREWS: STAINLESS STEEL

3. FINISH:
 CONTACTS SIZE #12 : GOLD .000010 MIN THK.
 OVER NICKEL .00040 MIN THK.
 CONTACTS SIZE #20 : GOLD .000010 MIN THK.
 OVER NICKEL .00040 MIN THK.
 CONTACT SIZE #4: GOLD .00003 MIN THK.
 OVER NICKEL .000040 MIN THK.

4. ITEMS PROVIDED TO THIS SPECIFICATION TO BE PERMANENTLY IDENTIFIED PER THE FOLLOWING IDENTIFIER:

TYCO PART NUMBER: XXXXXXXX-X
 DATE CODE (e.g. 0216): YEAR WEEK
 XXXX

5. CRIMP CONTACTS AND SHOULDER SCREWS (ITEMS B, C AND E) SHALL BE PACKAGED SEPARATELY AND PLACED IN THE BOX WITH THE CONN. ASSEMBLY.

5	E	2	1650589-1	SCREW, SHOULDER, M4 X 0.7
	D	2	1766283-2	CONTACT, PIN, #4, M5 INTERNAL THD.
5	C	4	1650153-2	CONTACT, PIN, #12, CRIMP, STD, HP
5	B	11	1650155-1	CONTACT, PIN, #20, CRIMP, STD
	A	1	1648152-1	HOUSING, PIN, FLOAT MOUNT
	ITEM	-1	PART NUMBER	DESCRIPTION

<small>THIS DRAWING IS A CONTROLLED DOCUMENT FOR TYCO ELECTRONICS CORPORATION. IT IS SUBJECT TO CHANGE AND THE CONTROLLING ENGINEERING ORGANIZATION SHOULD BE CONTACTED FOR THE LATEST REVISION.</small>		DWN R.GRZYBOWSKI 11MAY2006 CHK S.FLICKINGER 11MAY2006 APVD S.FLICKINGER 11MAY2006	tyco Tyco Electronics Harrisburg, PA 17105-3608
DIMENSIONS: INCHES 	TOLERANCES UNLESS OTHERWISE SPECIFIED: 0 PLC ± 1 PLC ±.01 2 PLC ±.01 3 PLC ±.006 4 PLC ± ANGLES ± FINISH	PRODUCT SPEC APPLICATION SPEC WEIGHT	NAME CONNECTOR, PIN CRIMP CONTACT 125A MIDDLE DRAWER SIZE CAGE CODE DRAWING NO RESTRICTED TO A200779 C-6643169 -
MATERIAL		CUSTOMER DRAWING	SCALE 2:1 SHEET 2 OF 2 REV B

ELCON MIDDLE DRAWER