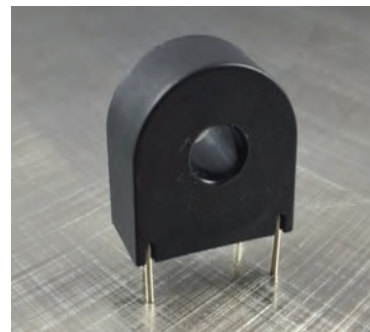
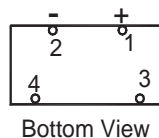
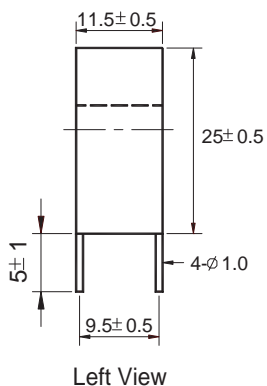
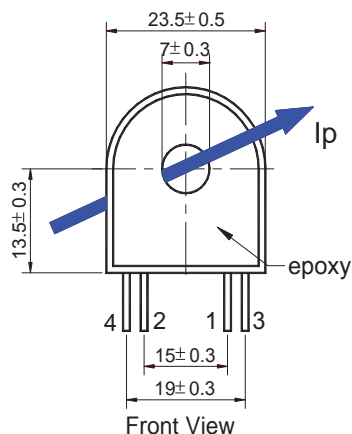


ACT07

Current Sensing Transformer



Dimensions: (MM)

**Features**

- Mini-Precision Current Transformer
- Good linearity over the entire range
- Ideal for Current Measurement, Monitoring & Protection Applications
- Standard Input Current 5-60A
- Frequency 50Hz-400Hz
- Custom designs available.
- Standard accuracy 0.1%,0.2%,0.5%
- ANSI C57.13 and IEC60044-1 Standards
- Constructed using UL approved materials

Electrical

HI-Pot: 4KV/1MA/1MIN

Insulation Resistance: 500mΩ @ 500VDC

Operating Temp: - 40°C ~ +85°C

Storage Temp: -45°C ~ +90°C

Physical

Weight: Approximately 10g

Allied Part Number *	Turns	Accuracy (%) *	Input Current (A)	Output Current (mA)	Load Resistor (Ω)
ACT07-5-002-_-100	2500	0.1,0.2,0.5	5	2	100
ACT07-10-004-_-100	2500	0.1,0.2,0.5	10	4	100
ACT07-10-005-_-100	2000	0.1,0.2,0.5	10	5	100
ACT07-20-008-_-100	2500	0.1,0.2,0.5	20	8	100
ACT07-20-010-_-100	2000	0.1,0.2,0.5	20	10	100
ACT07-30-010-_-100	3000	0.1,0.2,0.5	30	10	100
ACT07-30-012-_-100	2500	0.1,0.2,0.5	30	12	100
ACT07-30-015-_-100	2000	0.1,0.2,0.5	30	15	100
ACT07-50-010-_-50	5000	0.1,0.2,0.5	50	10	50
ACT07-60-030-_-10	2000	0.1,0.2,0.5	60	30	10
ACT07-60-024-_-10	2500	0.1,0.2,0.5	60	24	10

*Specify desired accuracy by inserting code as follows: "01" for 0.1%, "02" for 0.2% and "05" for 0.5%.

All specifications subject to change without notice.

