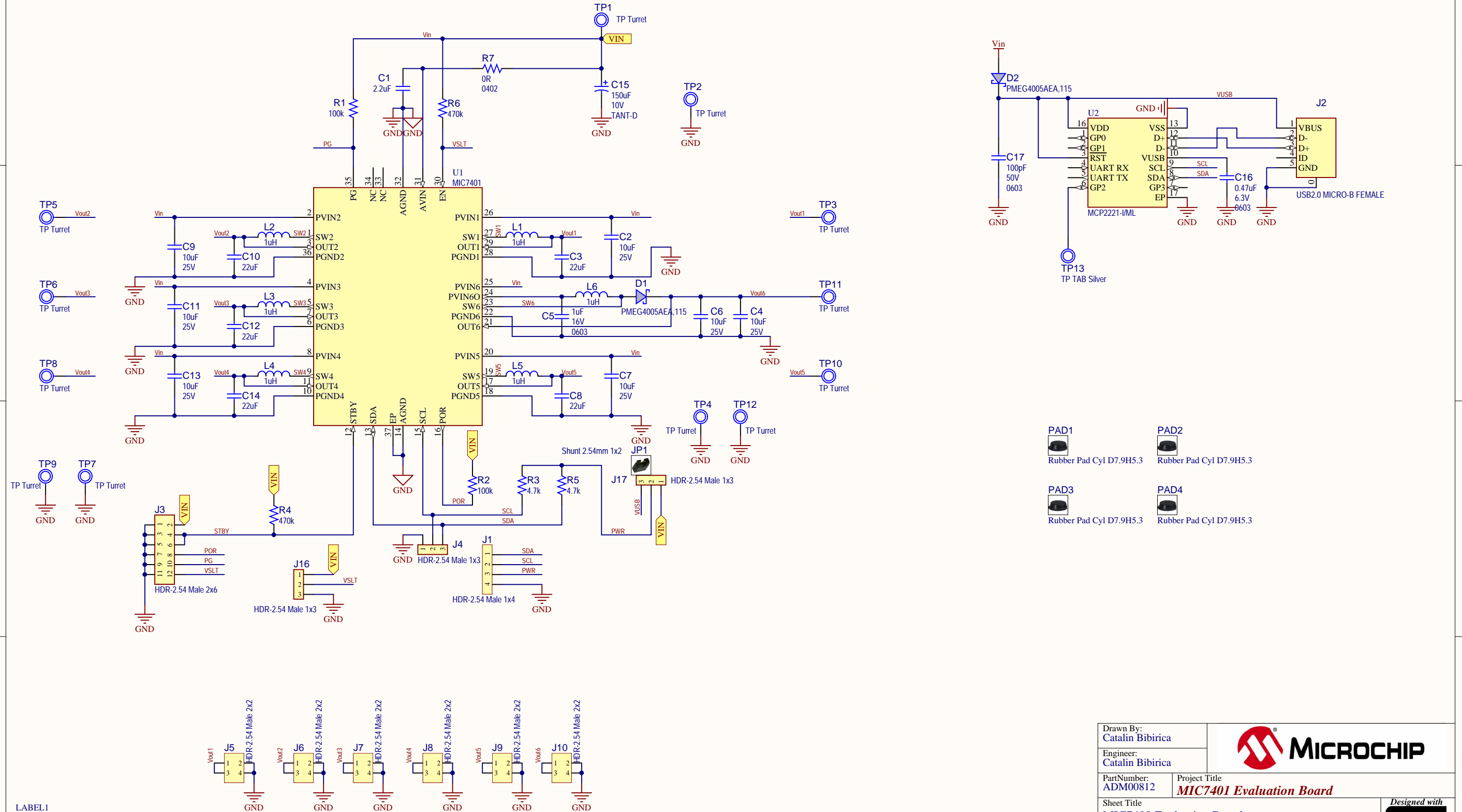


| REV | ECO# | DESCRIPTION | DATE |
|-----|------|-------------|------|
| | | | |



LABEL1
02-
JIT
-R1
LABEL Need Help Small

| | |
|--|--|
| Drawn By: Catalin Bibirica | |
| Engineer: Catalin Bibirica | |
| PartNumber: ADM00812 | Project Title MIC7401 Evaluation Board |
| Sheet Title MIC7400 Evaluation Board | Designed with |
| Size B | Sch #03-10623 Date: 8/3/2017 2:31:51 PM Revision:1 Sheet 1 of 1 |
| File: MIC7401_EVB.SchDoc | |