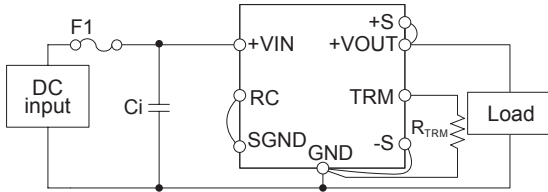


<b>1</b>	<b>Connection for Standard Use</b>	BRFS/BRDS-16
<b>2</b>	<b>Wiring Input / Output Pin</b>	BRFS/BRDS-16
2.1	Wiring input pin	BRFS/BRDS-16
2.2	Wiring output pin	BRFS/BRDS-17
<b>3</b>	<b>Function</b>	BRFS/BRDS-17
3.1	Overcurrent protection	BRFS/BRDS-17
3.2	Thermal protection	BRFS/BRDS-17
3.3	Remote ON / OFF	BRFS/BRDS-17
3.4	Remote sensing	BRFS/BRDS-18
3.5	Adjustable voltage range	BRFS/BRDS-18
3.6	Softstart/Start-up sequence	BRFS/BRDS-19
3.7	Power good	BRFS/BRDS-19
3.8	Sequence	BRFS/BRDS-20
3.9	PMBus communication	BRFS/BRDS-20
<b>4</b>	<b>Series and Parallel Operation</b>	BRFS/BRDS-20
4.1	Series operation	BRFS/BRDS-20
4.2	Parallel operation	BRFS/BRDS-20
<b>5</b>	<b>Cleaning</b>	BRFS/BRDS-20
<b>6</b>	<b>Storage method</b>	BRFS/BRDS-21
<b>7</b>	<b>Safety Considerations</b>	BRFS/BRDS-21
<b>8</b>	<b>Temperature Measurement Location</b>	BRFS/BRDS-21
<b>9</b>	<b>Package Information</b>	BRFS/BRDS-22

# 1 Connection for Standard Use

■ In order to use power supply, it is necessary to wire as shown in Fig.1.1 and Fig.1.2.



\*SGND is connected to GND inside the power supply.  
\*Short the -S and GND only BRDS40/60S.

Fig.1.1 Connection for standard use of BRFS30/40/60S · BRDS40/60S

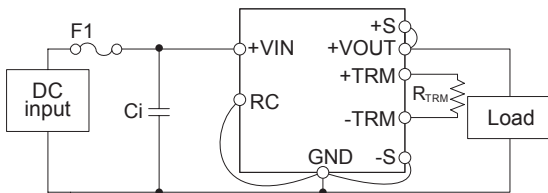


Fig.1.2 Connection for standard use of BRFS60/100/120/150 · BRDS60/100/120/150

Reference	3	"Wiring Input/Output Pin"
	8	Temperature measurement points

■ Short the following pins to turn on the power supply.

● **BRFS30/40/60S**

SGND ↔ RC, +VOUT ↔ +S

● **BRFS60/100/120/150 · BRDS40/60/60S/100/120/150**

GND ↔ RC (SGND ↔ RC of BRDS40), +VOUT ↔ +S, GND ↔ -S

Reference	3.3	"Remote ON/OFF"
	3.4	"Remote sensing"

■ Connect resistance to set the output voltage as below.

● **BRFS30/40/60S · BRDS40/60S**

GND ↔ TRM

● **BRFS60/100/120/150 · BRDS60/100/120/150**

+TRM ↔ -TRM

Reference	3.5	"Adjustable voltage range"
-----------	-----	----------------------------

■ Between input and output is not isolated.

■ The BRFS/BRDS series handle only the DC input.

Avoid applying AC input directly.  
It will damaged the power supply.

Table 1.1 External parts

No.	Parts	Reference
1	F1:Fuse	2.1(1) External fuse
2	Ci:External output capacitor	2.1(2) External input capacitor
3	R <sub>TRM</sub> :Resistance for adjustment output voltage	3.5 Adjustable voltage range

# 2 Wiring Input/Output Pin

## 2.1 Wiring input pin

### (1) External fuse

■ Fuse is not built-in on input side. In order to protect the unit, install the normal-blow type fuse on input side.

Table 2.1 Recommended fuse (normal-blow type)

Model	BRFS30/40 · BRDS40	BRFS60/60S · BRDS60/60S	BRFS100 · BRDS100	BRFS120 · BRDS120	BRFS150 · BRDS150
Rated current	40A	60A	80A	100A	125A

■ When the input voltage from a front end unit is supplied to multiple units, install the normal-blow type fuse in each unit.

■ When the fuse is open, power good signal is not outputted.

### (2) External capacitor on the input side

■ Install an external capacitor Ci, between +VIN and GND input pins for low line-noise and for stable operation of the power supply. Use ceramic capacitors for the external capacitor Ci.

Table 2.2 Recommended external input capacitor(Ceramic)

Model	Recommended Ci	
	Vin=5V	Vin=12V
BRFS30/40/60S · BRDS40/60S	8×22 μF	4×22 μF
BRFS60/100 · BRDS60/100	8×22 μF	4×22 μF
BRFS120/150 · BRDS120/150	2×22 μF	2×22 μF

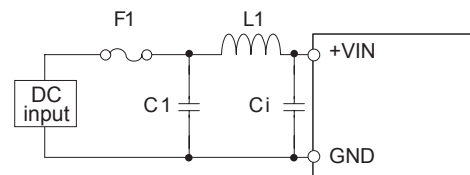
■ Ci is within 5mm for pins. Make sure that ripple current of Ci is less than its rating.

■ When an impedance and inductance level of the input line become higher, the input voltage may become unstable. In that case, the input voltage becomes stable by increasing Ci.

■ Note that the input voltage may increase due to the regenerative operation of the power supply, when starting up with residual voltage in the output or when the output voltage is sharply reduced using the SEQ pin or TRM pin.

### (3) Recommendation for noise-filter

■ Install an external input filter as shown in Fig.2.1 in order to reduce conducted noise. Ci is shown in Table 2.2.



C1 : 220 μF (BRFS30)  
: 470 μF (BRFS40/60/60S/100/120 · BRDS40/60/60S/100/120)  
: 3×470 μF (BRFS150 · BRDS150)  
L1 : 0.3 μH

Fig.2.1 Example of recommended external input filter

(4) Reverse input voltage protection

■ Avoid the reverse polarity input voltage. It will damage the power supply.

It is possible to protect the unit from the reverse input voltage by installing an external diode as shown in Fig.2.2.

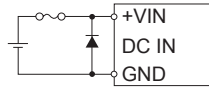


Fig.2.2 Reverse input voltage protection

2.2 Wiring output pin

■ When the BRFS/BRDS series supplies the pulse current for the pulse load, please install a capacitor  $C_o$  between +VOUT and GND pins.

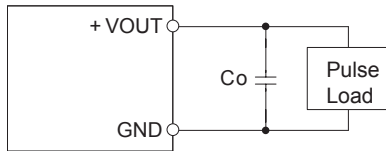


Fig.2.3 wiring external output capacitor

Table 2.3 Recommended Capacitor and max Co (Ceramic)

Model	Recommended Co	MAX Co
BRFS30/40/60S · BRDS40/60S	3×100 μF	10,000 μF
BRFS60 · BRDS60	2×100 μF	10,000 μF
BRFS100 · BRDS100	4×100 μF	20,000 μF
BRFS120/150 · BRDS120/150	4×100 μF	10,000 μF

■ Use ceramic capacitors for the external capacitor  $C_o$ .  
Contact us when using other than ceramic capacitors.

■ The output ripple voltage may grow big by resonance with  $C_o$  and ESL of the wiring, if resonance frequency and switching frequency are close.

■ Ripple and Ripple Noise are measured, as shown in the Fig.2.4.  $C_o0$ ,  $C_o1$ ,  $C_o2$  and  $C_o3$  is shown in Table 2.4.

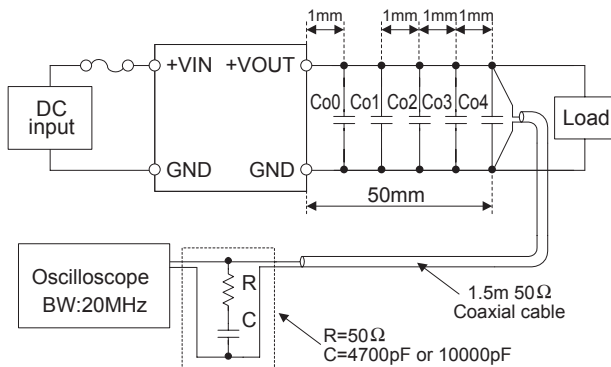


Fig.2.4 Measuring method of Ripple and Ripple Noise

Table 2.4  $C_o0$ ,  $C_o1$ ,  $C_o2$  and  $C_o3$  which is used in measuring

No.	Model	$C_o0$	$C_o1$	$C_o2$	$C_o3$	$C_o4$
1	BRFS30/60S · BRDS60S	—	—	100 μF	100 μF	100 μF
2	BRFS40 · BRDS40	100 μF	—	100 μF	100 μF	100 μF
3	BRFS60 · BRDS60	—	—	—	100 μF	100 μF
4	BRFS100/120/150 · BRDS100/120/150	—	100 μF	100 μF	100 μF	100 μF

3 Function

3.1 Overcurrent protection

■ Over Current Protection (OCP) is built-in and works over 105% of the rated current or higher. However, use in an overcurrent situation must be avoided whenever possible.

The output voltage of the power module will recover automatically when the fault causing overcurrent is corrected.

When the output voltage drops after OCP works, the power module enters a "hiccup mode" where it repeatedly turns on and off at a certain frequency.

3.2 Thermal protection

■ When the power supply temperature is kept above 120°C, the thermal protection will be activated and simultaneously shut down the output.

The output voltage of the power supply will recover automatically when the unit is cool down.

3.3 Remote ON/OFF

■ The remote ON/OFF function is incorporated in the input circuit and operated with RC and GND. If positive logic control is required, order the power supply with "R" option.

Table3.1 Specification of Remote ON/OFF

	ON/OFF logic	Between RC and GND	Output voltage
Standard	Negative	L level(-0.2 - 0.6V) or short	ON
		H level(3.0 - VIN) or open	OFF
Optional -R	Positive	L level(-0.2 - 0.6V) or short	OFF
		H level(3.0 - VIN) or open	ON

\*Source current from RC pin is 0.5mA(max).

■ When remote on/off function is not used, please short GND and RC.

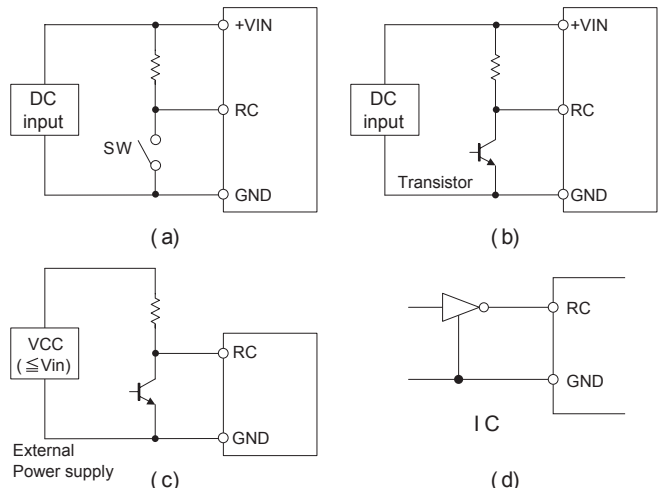


Fig.3.1 RC connection example

### 3.4 Remote sensing

(1) When the remote sensing function is not in use

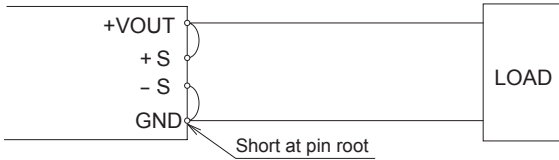


Fig.3.2 Connection when the remort sensing is not in use

- When the remote sensing function is not in use, it is necessary to confirm that pins are shorted between +S & +VOUT and between -S & GND.
- Wire between +S & +VOUT and between -S & GND as short as possible. Loop wiring should be avoided. This power supply might become unstable by the noise coming from poor wiring.

(2) When the remote sensing function is in use

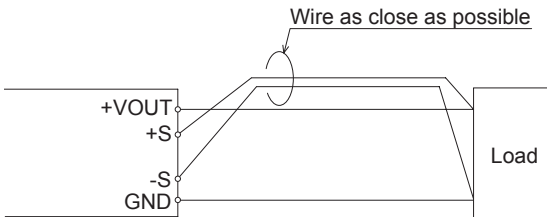


Fig.3.3 Connection when the remote sensing is in use

- Twisted-pair wire or shield wire should be used for sensing wire.
- Thick wire should be used for wiring between the power supply and a load. Line drop should be less than 0.5V. Voltage between +VOUT and GND should remain within the output voltage adjustment range.
- If the sensing patterns are short, heavy-current is drawn and the pattern may be damaged. The pattern disconnection can be prevented by installing the protection parts as close as a load.

**-Y1**

This is change the open loop characteristics accelerated while using remote sensing with a large external capacitor on the output side. For more information please contact us.

### 3.5 Adjustable voltage range

- Output voltage is adjustable by the external resistor.
- The temperature cofficient could become worse, depending on the type of a resistor. Resistor:····Metal film type, coefficient of less than ±100ppm/°C
- When TRM is opened, output voltage is adjusted to the minimum.
- $R_{TRM}$  is calculated in the following expressions.

$$R_{TRM} = \frac{8}{V_{OUT} - 0.8} [k\Omega] \quad R_{TRM} = \frac{12}{V_{OUT} - 0.6} [k\Omega] \quad R_{TRM} = \frac{14}{V_{OUT} - 0.7} [k\Omega]$$

Table 3.2 Calculation result of BRFS30

No	VOUT	$R_{TRM}$
1	0.8	OPEN
2	1.0	40.0kΩ
3	1.2	20.0kΩ
4	1.5	11.429kΩ
5	1.8	8.0kΩ
6	2.5	4.706kΩ
7	3.3	3.2kΩ

Table 3.3 Calculation result of BRFS40/60S/120/150 · BRDS40/60S/120/150

No	VOUT	$R_{TRM}$
1	0.6	OPEN
2	1.0	30.0kΩ
3	1.2	20.0kΩ
4	1.5	13.3kΩ
5	1.8	10.0kΩ

Table 3.4 Calculation result of BRFS60/100 · BRDS60/100

No	VOUT	$R_{TRM}$
1	0.7	OPEN
2	1.0	46.6kΩ
3	1.2	28.0kΩ
4	1.5	17.5kΩ
5	1.8	12.7kΩ

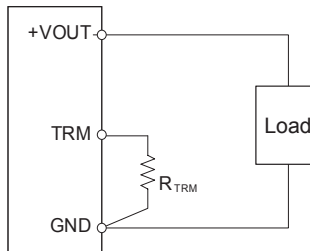


Fig.3.4 Connecting BRFS30/40/60S · BRDS40/60S

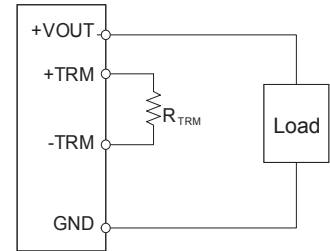


Fig.3.5 Connecting BRFS60/100/120/150 · BRDS60/100/120/150

- The output voltage should be set within the range of Figure 3.6 (only BRFS150 · BRDS150).
- If it deviates from the range, the output voltage turns off.

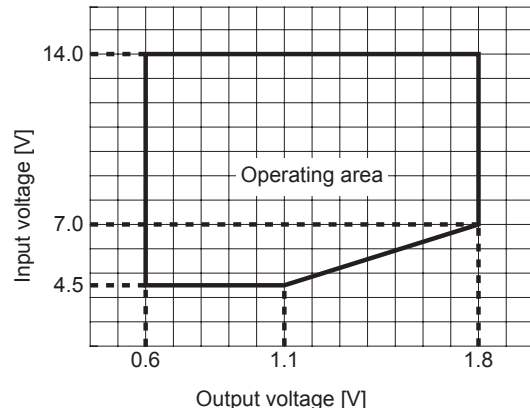


Fig.3.6 Operating area

### 3.6 Softstart/Start-up sequence

■ The adjustment of the rise time is possible by connecting  $C_{SEQ}$ .

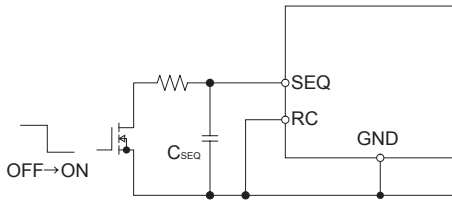


Fig.3.7 Example of soft start circuit

■ When the voltage is applied to the terminal SEQ, the output voltage tracks this voltage until the output reaches the set-point voltage. SEQ terminal voltage vs output voltage is calculated the following formula.

Avoid SEQ terminal voltage is set below the set voltage output by  $R_{trm}$ , the output voltage does not rise to set output voltage. Maximum applicable voltage of terminal SEQ is  $V_{in}$ . When the function is not used, open terminal SEQ.

$$C_{SEQ} [\mu F] = (0.284 \div V_o[V] - 0.06) \times T[ms]$$

$$(0.6V \leq V_o \leq 2.0V)$$

$$C_{SEQ} [\mu F] = (0.284 \div V_o[V] - 0.047) \times T[ms]$$

$$(2.0V < V_o \leq 3.63V \text{ only BRFS30})$$

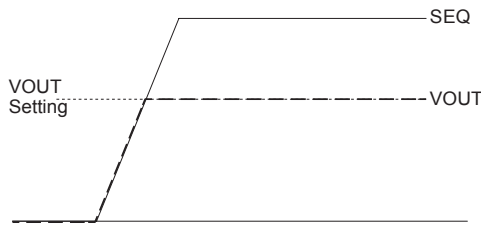


Fig.3.8 SEQ > Vout setting

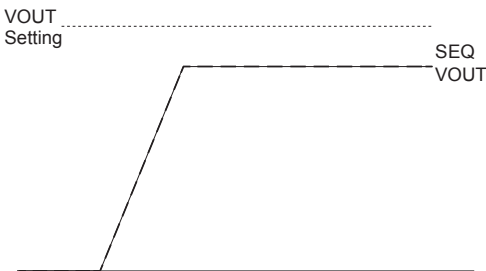
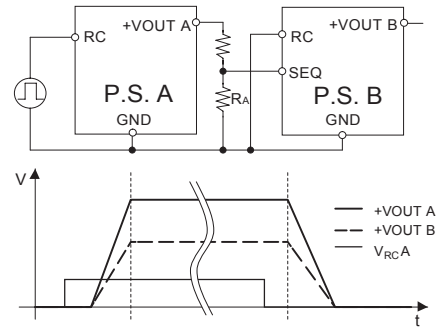


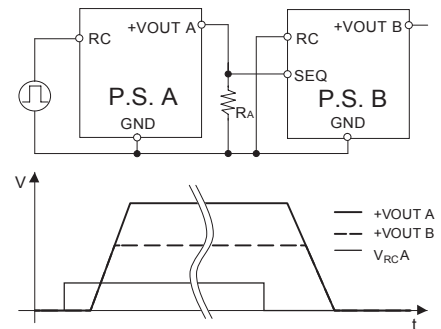
Fig.3.9 SEQ < Vout setting (not recommended)

■ With the voltage to input into SEQ pin, you can control a start sequence of plural power supplies.

(a) The same time



(b) The same voltage



(c) The time lag

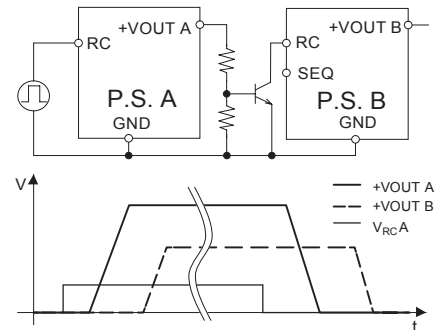


Fig.3.10 Example of sequence control

■ If this function is unnecessary, please make SEQ pin open.

■ It is not possible to shorten the rise time when not using this function.

### 3.7 Power good

■ By using PGOOD, it is possible to monitor power supply whether normal operation or abnormal operation.

■ PGOOD circuit is designed as shown in Fig.3.11.

Sink current of PGOOD is 10mA max.

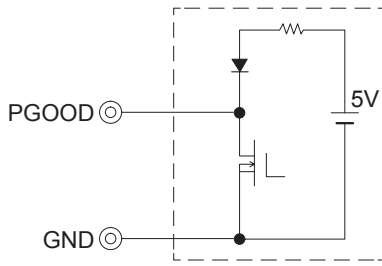


Fig.3.11 Internal PGOOD circuit

- Voltage of PGOOD pin become low when over current protection circuit is work, or output voltage is different from a set point more than ±12.5%.
- If this function is unnecessary, please make PGOOD pin open.

### 3.8 Sequence

- Fig.3.12 is a sequence chart of each function of BRFS/BRDS.

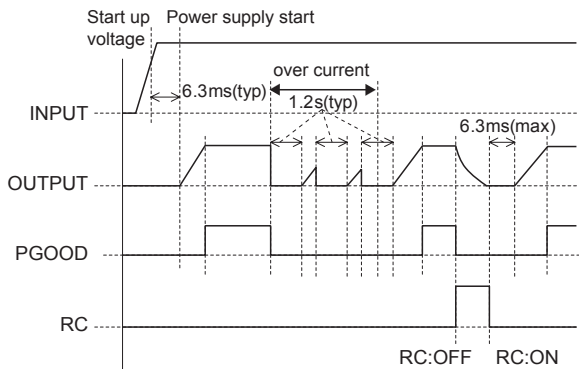


Fig.3.12 Sequence chart of BRFS/BRDS

### 3.9 PMBus communication

- PMBus communication is possible BRDS series. For more information please contact us.

## 4 Series and Parallel Operation

### 4.1 Series operation

- Series operation is not possible.

### 4.2 Parallel operation

- Parallel operation is possible BRFS60/100/120/150 · BRDS series (BRFS30/40/60S is not possible). BRFS40/60S has a parallel operation "P".
- In parallel operation, wiring as Fig.4.1
- Make the +S and -S of the slave power supply unconnected.
- To improve the load sharing of each unit, use the same length and same wire size from each unit to the load.
- As variance of output current drew from each power supply is

maximum 10%, the total output current must not exceed the value determined by the following equation.

(Output current at parallel operation)  
 = (the rated current per unit) × (number of unit) × 0.9

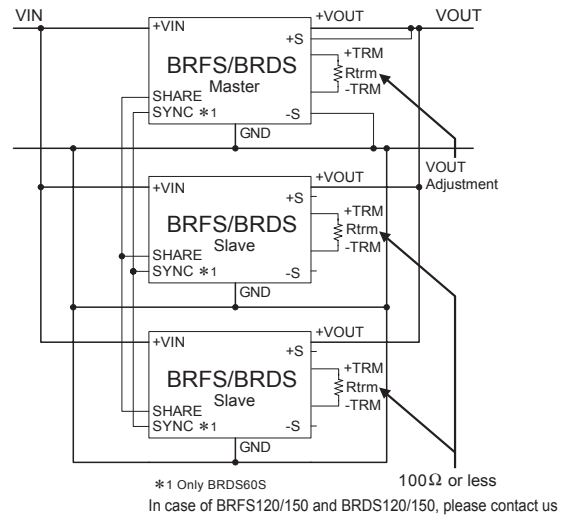


Fig.4.1 Example of wiring method in parallel operation

- Make power supply from the same input power supply.
- Total number of units should be no more than 5 pieces.
- PGOOD of slave power supply output the operating conditions. When power supply is in operation, PGOOD output high level. At the time of stop, it output low level.
- Please connect each other's SEQ pins if you use SEQ pin.
- Voltage drop from a power supply to the sensing point should be less than 0.2V for stable control.
- Only use RC pin of the master power supply, RC pin of the slave power supply should be short to GND. Or let RC pin's of the master power supply and the slave power supply short, and please use it.
- If this function is unnecessary, please make SHARE pin open.
- In parallel operation, please use a single model together. When it is necessary to use different model together, please contact us.
- In the case of stop using the SEQ function in parallel operation, the power supply will immediately stop when SEQ terminal voltage is below the output voltage set by the R<sub>TRM</sub>.
- Do not connection external clock to the SYNC pin.

## 5 Cleaning

- When cleaning is necessary, clean under the following conditions.
 

Method	: Varnishing, ultrasonic wave and vapor
Cleaning agents	: IPA (Solvent type)
Total time	: 2 minutes or less
- Do not apply pressure to the lead and name plate with a brush or scratch it during the cleaning.
- After cleaning, dry them enough

## 6 Storage method

- To stock unpacked products in your inventory, it is recommended to keep them under controlled condition, 5-30°C, 60%RH and use them within a year.
- 24-hour baking is recommended at 125°C, if unpacked products were kept under uncontrolled condition, which is 30°C, 60%RH or higher.  
Original reels are not heat-resistant. Please move them to heat-resistant trays in preparation to bake.  
To check moisture condition in the pack, silica gel packet has some moisture condition indicator particles.  
Indicated blue means good. Pink means alarm to bake it.
- The reels will be deformed and the power supply might be damaged, if the vacuum pressure is too much to reseal.

## 7 Safety Considerations

- To apply for safety standard approval using this power supply, the following conditions must be met.
- This unit must be used as a component of the end-use equipment.
- Safety approved fuse must be externally installed on input side.

## 8 Temperature Measurement Location

- Make sure the temperatures measurement locations shown from Fig.8.1 to Fig.8.2 below are on or under the derating curve in “Derating”.
- Ambient temperature must be kept at 85°C or under.

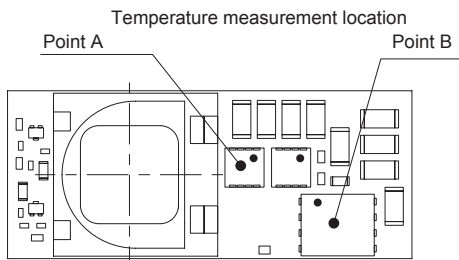


Fig.8.1 Temperature measurement location (BRFS30)

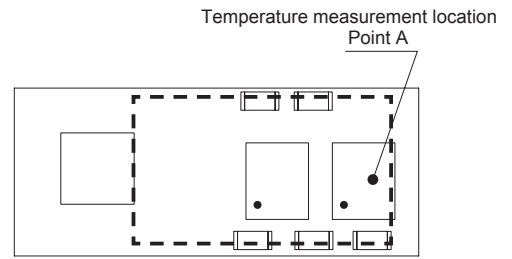


Fig.8.2 Temperature measurement location (BRFS40 · BRDS40)

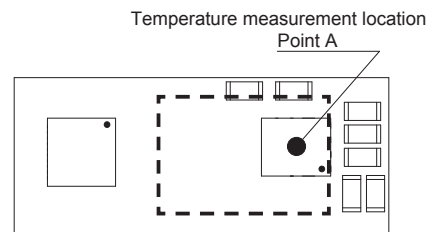


Fig.8.3 Temperature measurement location (BRFS60S · BRDS60S)

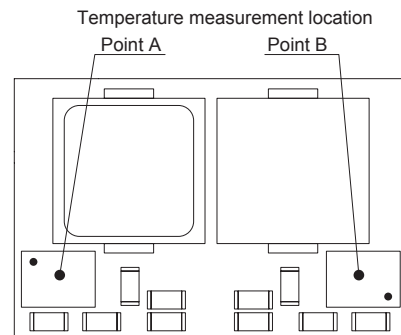


Fig.8.4 Temperature measurement location (BRFS60 · BRDS60)

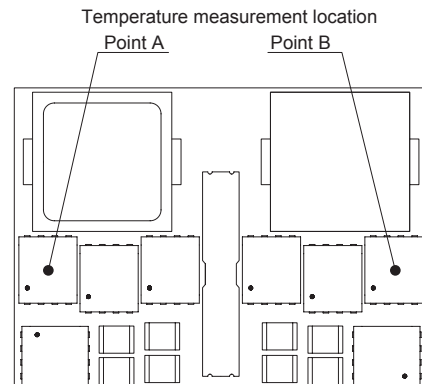
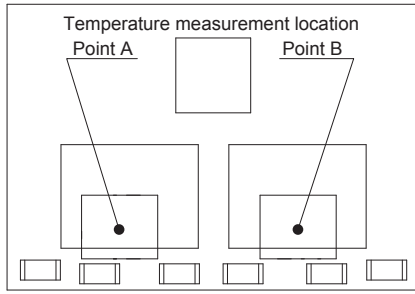
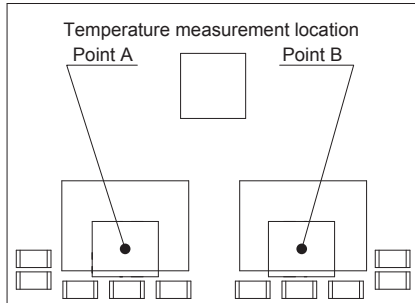


Fig.8.5 Temperature measurement location (BRFS100 · BRDS100)



High heat radiation terminal option is available (optional : L).

Fig.8.6 Temperature measurement location (BRFS120 · BRDS120)



High heat radiation terminal option is available (optional : L).

Fig.8.7 Temperature measurement location (BRFS150 · BRDS150)

## 9 Package Information

■ Please refer to a Fig.9.1 to Fig.9.4 for Package form (Reel).

■ The packed number is 200 (BRFS30/40/60S · BRDS40/60S), 100 (BRFS60/120 · BRDS60/120), 80 (BRFS100/150 · BRDS100/150).

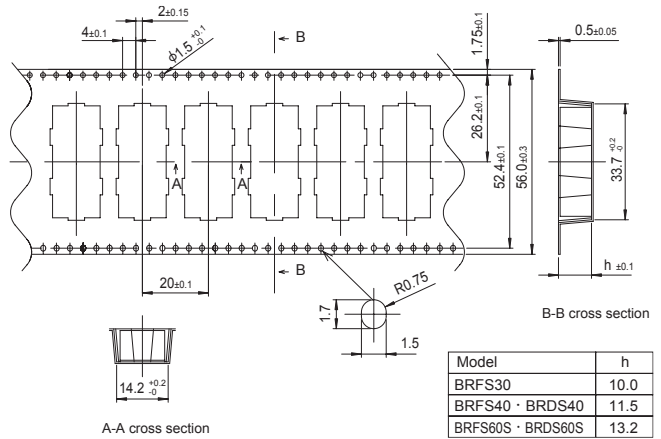


Fig.9.1 Taping dimensions of BRFS30/40/60S · BRDS40/60S

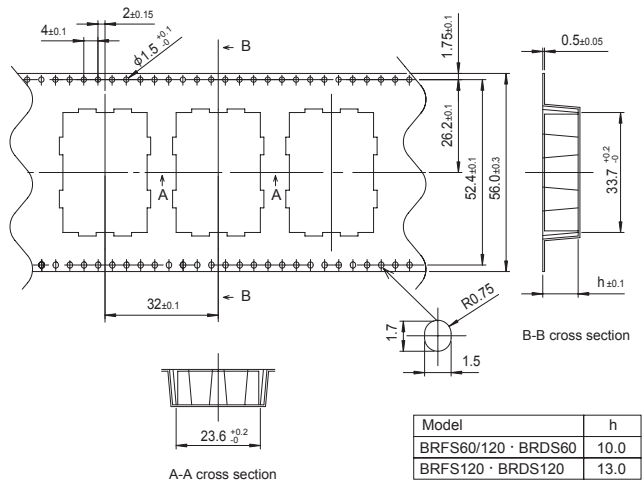


Fig.9.2 Taping dimensions of BRFS60/120 · BRDS60/120



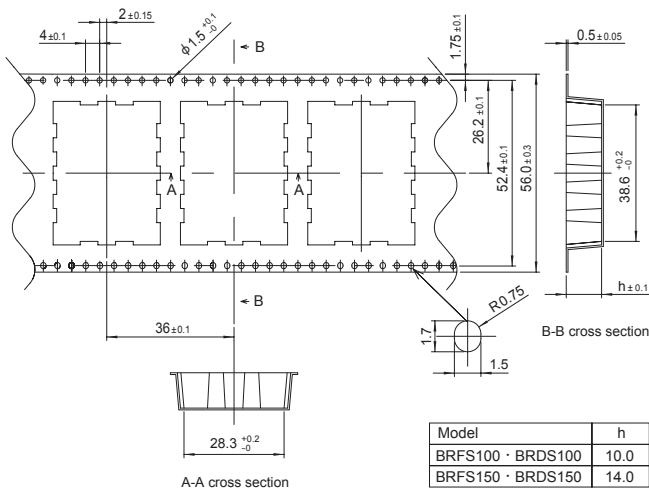
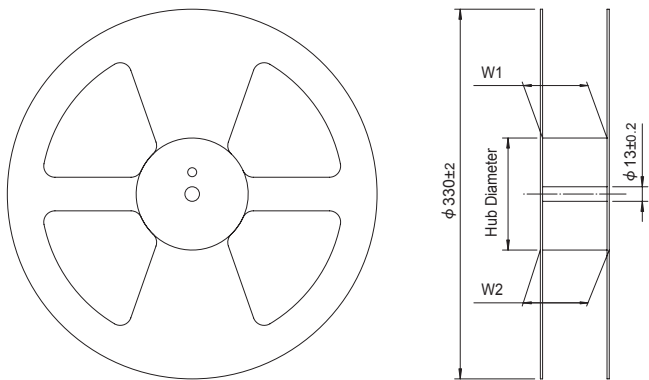


Fig.9.3 Taping dimensions of BRFS100/150 · BRDS100/150



Model	Tape Width [mm]	Hub Diameter [mm]	W1 [mm]	W2 [mm]
BRFS30/40/60S · BRDS40/60S	56	100	57.4±1.0	61.4±1.0
BRFS60/120 · BRDS60/120	56	150	57.5±1.0	61.5±1.0
BRFS100/150 · BRDS100/150	56	150	57.5±1.0	61.5±1.0

Fig.9.4 Reel dimensions

■Please refer to specifications for the details of package information