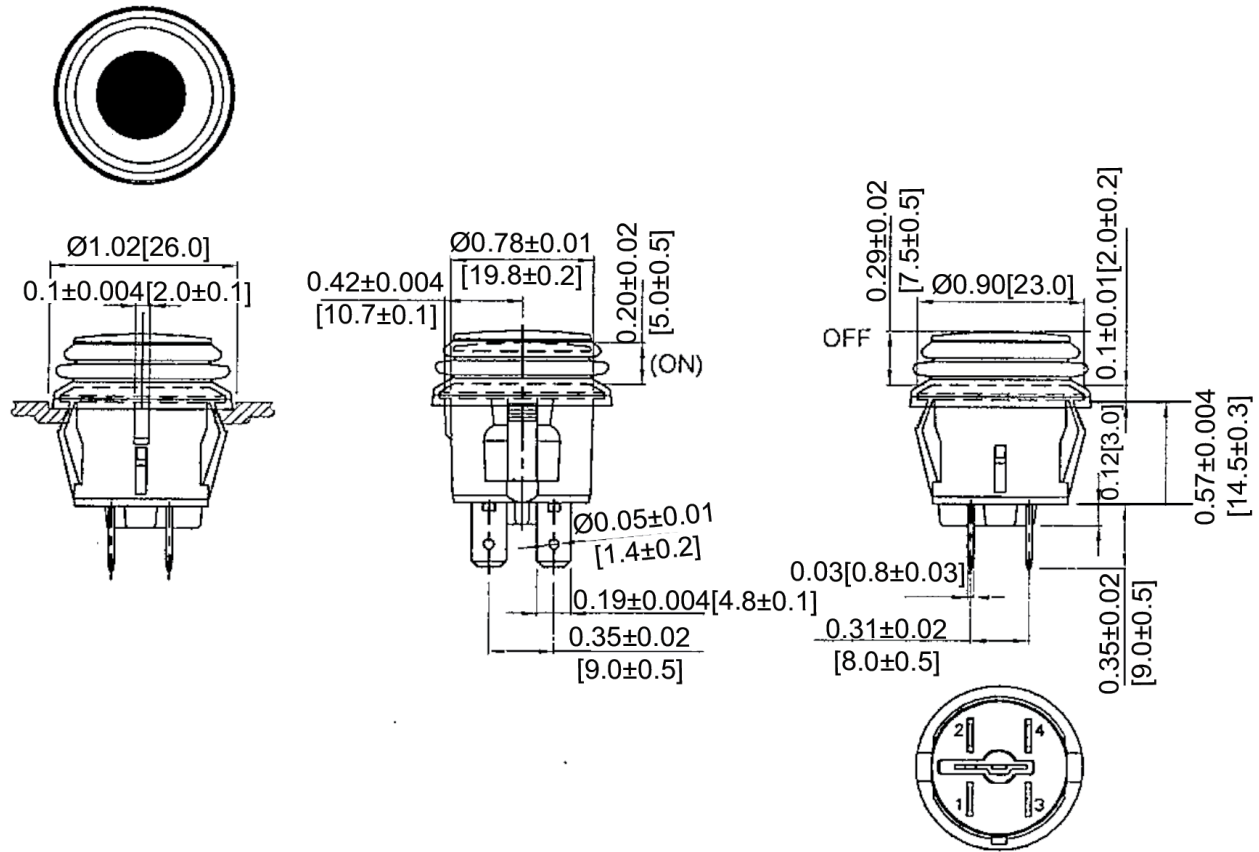
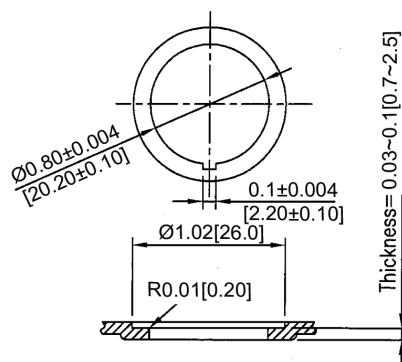


## Mechanical Dimensions: Inches [mm]

Tolerances  $\pm 0.012$  [0.3] Unless Otherwise Specified

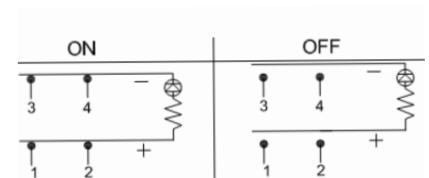


## Mounting Hole



## Circuit Diagram

### 4P DPST OFF-ON (LED-D)



## Electrical Specifications

Rating	20A 14V DC
Contact Resistance	50m ohm Max.
Insulation Resistance	DC 500V 100M ohm Min
Dielectric Strength	AC 1500V 1 minute
Operation Temperature	-20°C ~ 65°C

## Material Specifications

Frame	Black, Nylon 66
Actuator	Blue Clear, PC
Terminals	Silver Plated, Copper Alloy
Waterproof Rubber	Black, Silicone
LED	Blue (Dependent)

# Push Switch

# PB-2A-DC-2-UDL



**Rev**    **Date of issue**    **Revision Notes**

**Designed**    **Approved**

A	05-18-2021	Initial Drawing	RC	OF
---	------------	-----------------	----	----