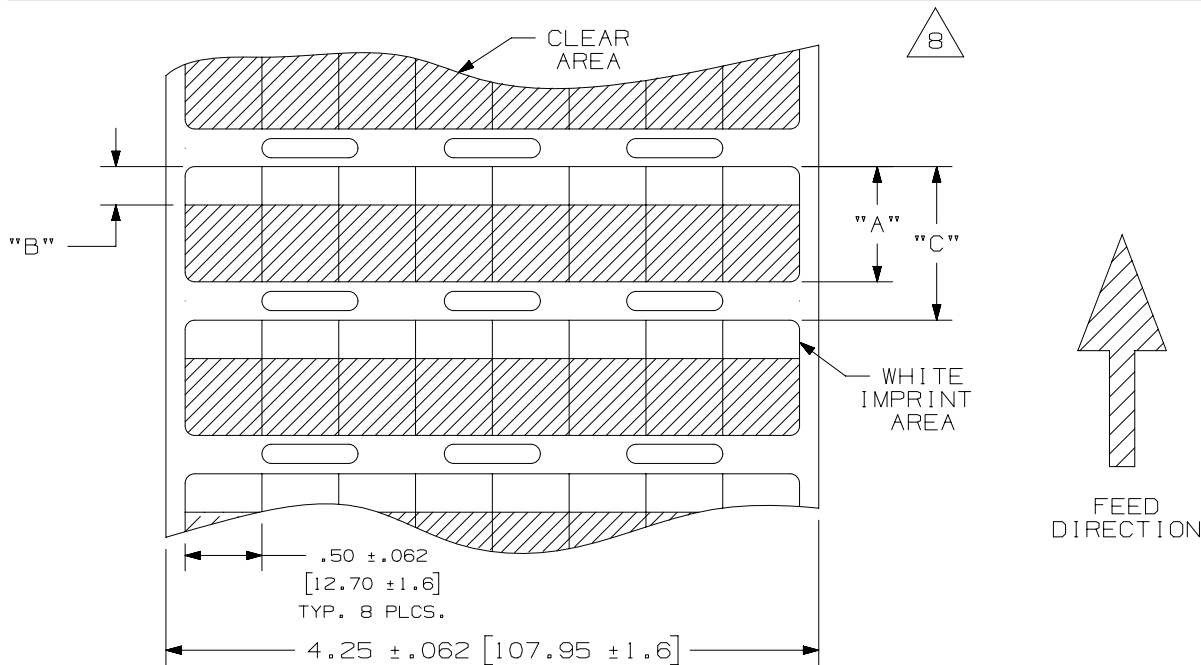


THIS COPY IS PROVIDED ON A RESTRICTED BASIS AND IS NOT TO BE USED IN ANY WAY DETRIMENTAL TO THE INTERESTS OF PANDUIT CORP.

PART NUMBER	MATERIAL	HEIGHT "A" +/- .062	IMPRINT AREA "B" +/- .062	VERTICAL REPEAT "C" +/- .062	LABELS PER ROW	STANDARD PKG. QTY.
S050X075VATY	GMV16 OR GMV17	0.75 [19.0]	0.25 [6.35]	1.00 [25.4]	8	5000
S050X125VATY		1.25 [31.8]	0.38 [9.53]	1.50 [38.1]		
S050X150VATY		1.50 [38.1]	0.50 [12.7]	1.80 [45.7]		
S050X250VATY		2.50 [63.5]	1.00 [25.4]	2.75 [69.8]		



NOTE:  
1. MILLIMETERS ARE IN [ ].

8	12/10/15	RVU	SEWH	JHAC	1.80 [47.2] WAS 1.75 [44.5].	GAECN03280
7	9/4/15	RVU	SEWH	JHAC	1.75 [44.5] WAS 1.80 [47.2].	GAECN03150
6	12/2/13	RVU	SEWH	MSAD	REMOVE S050X150TAT. 1.50 [38.1] WAS 1.500 [12.7].	GAECN01423
5	10/25/11	RVU	SEWH	MSAD	"GMV16 OR GMV17" WAS "GMV".	6548
4	12/10/09	RVU			UPDATE ON ALL STANDARD TOL. OBS P/N: S050X075VAT, S050X125VAT & S050X150VAT.	5925
3	6/4/08	RVU			Change the packaging quantity of part number S050X250VATY from 1000PC to 5000PC.	5456
2	5/30/07	RVU			ADDED NEW P/N, S050X150TAT AND S050X250VATY. S050***VATY, GMV3 WAS GMV.	5021
1	8/30/06	RVU			ADDED P/N, S050X075VATY, S050X125VATY, AND S050X150VATY.	4679
0	9/22/04	RVU			DRAWING RELEASED.	0000

TITLE		PANDUIT
S050X075VATY, S050X125VATY, S050X150VATY, S050X250VATY OPTIMUM THERMAL TRANSFER SELF-LAMINATING LABELS CUSTOMER DRAWING		
ITEM REVISION NAME		MATERIAL:  SEE TABLE
100472BV/12		
DATASET FILE NAME		DRAWING NUMBER: C10197
100472BV_DC_C10197/12J		
UNLESS OTHERWISE SPECIFIED, DIMENSIONAL TOLERANCES ARE: IN [mm]		
.x ± .12 [3.05] .xxx ± .025 [.635] .xx ± .062 [1.57] ANGLES ±		
THIRD ANGLE PROJECTION		

REV	DATE	BY	CHK	APR	DESCRIPTION	ECN

DRAWN BY	DATE	CHK	SCALE	SHT 1 OF 1	SIZE
RVU	9/22/04	MSAD	NTS		A