

Customer Information Sheet

DRAWING No.: S7231-45R

IF IN DOUBT - ASK

©

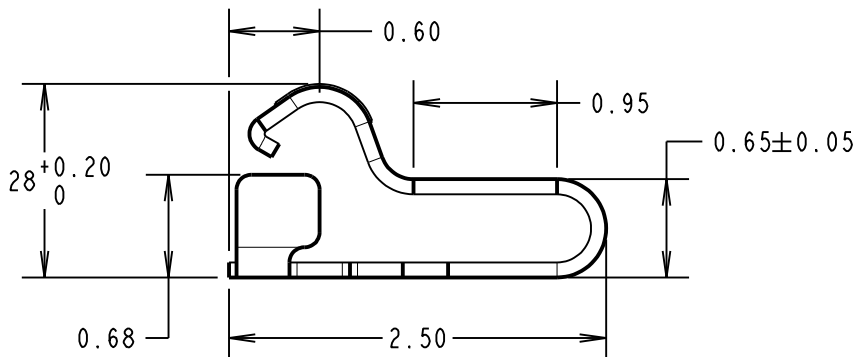
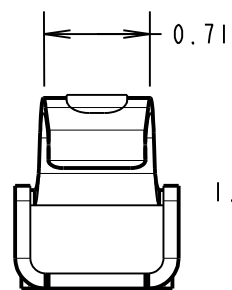
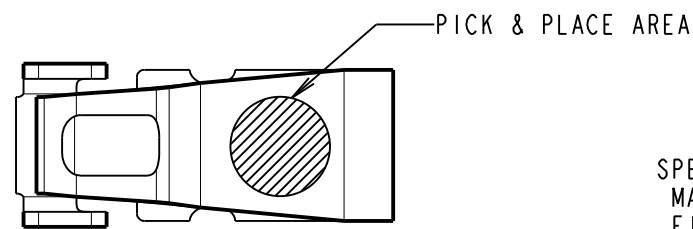
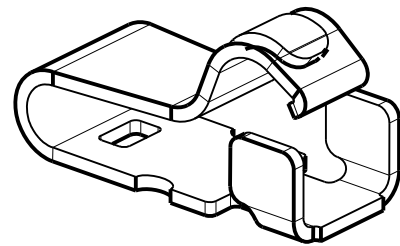
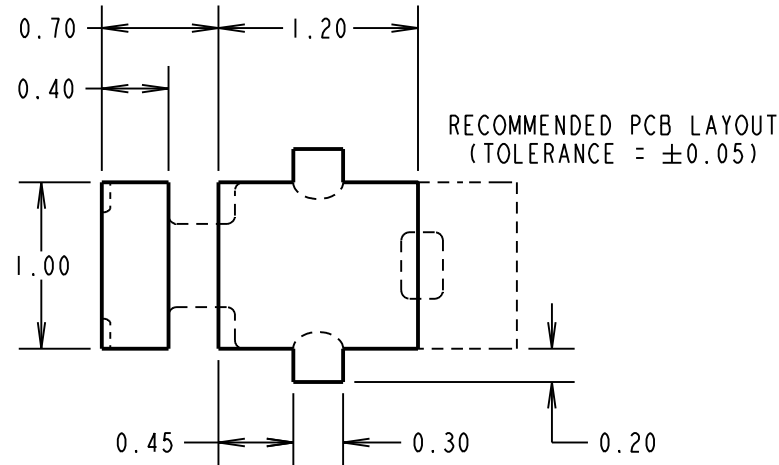
NOT TO SCALE

THIRD ANGLE PROJECTION

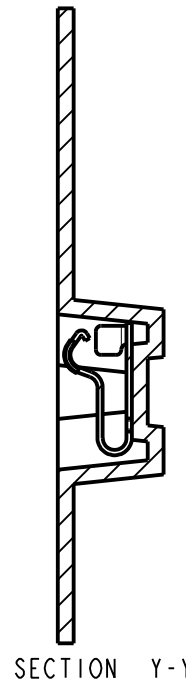
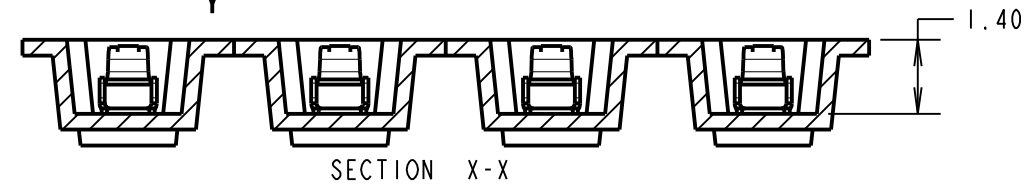
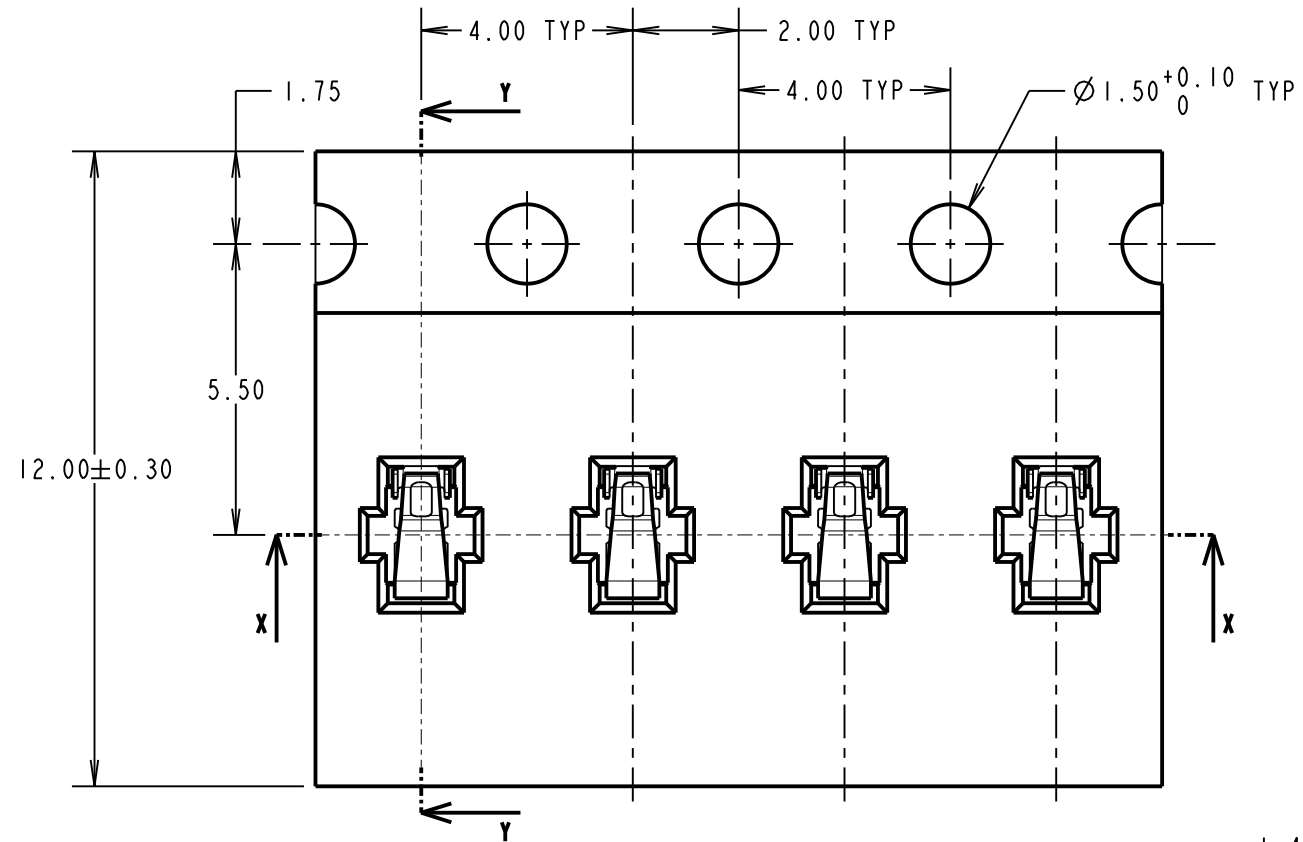
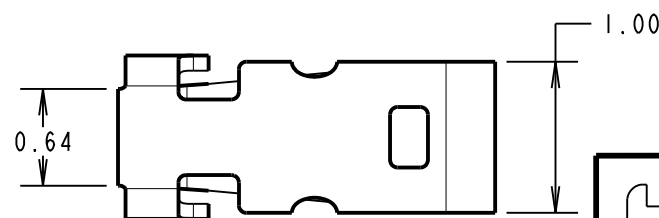
ALL DIMENSIONS IN mm

NOTES:

1. QUANTITY PER REEL = 10,000.
2. THIS PRODUCT IS TAPED AND REELED IN GENERAL ACCORDANCE WITH EIA-481-2 (ELECTRONICS INDUSTRIES ASSOCIATION).



COMPONENT DETAILS



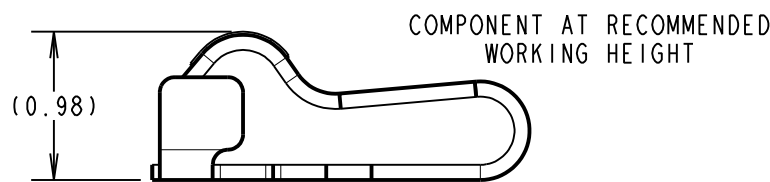
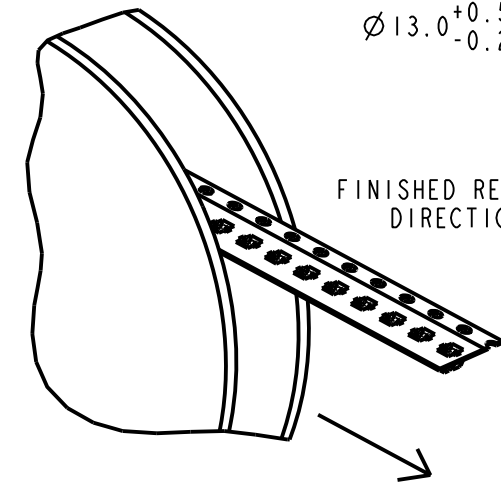
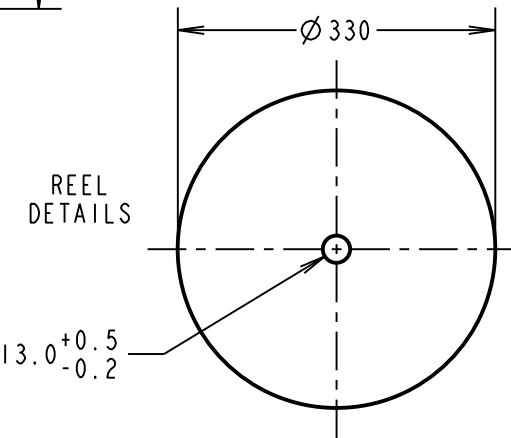
SPECIFICATION:

MATERIAL = TITANIUM COPPER ALLOY, 0.08mm THICK
FINISH = 1.5µm-3.5µm NICKEL ALL OVER. 0.1µm GOLD ON TOP CONTACT AREA AND GOLD FLASH ON BASE

ELECTRICAL:
CONTACT RESISTANCE = 50mΩ MAX
CURRENT RATING = 1A

MECHANICAL:
DURABILITY = 10,000 CYCLES
RECOMMENDED WORKING HEIGHT = 0.98mm / MIN FORCE = 0.39N
RECOMMENDED MINIMUM WORKING HEIGHT = 0.68mm

ENVIRONMENTAL:
OPERATING TEMPERATURE = -40°C TO +85°C



MGP	3	09.04.20	21839
NAME	ISS.	DATE	C/NOTE
APPROVED: MGP			
CHECKED: RA			
DRAWN: S.BENNETT			
CUSTOMER REF.:			
ASSEMBLY DRG:			

HARWIN
www.harwin.com
technical@harwin.com

THIS DRAWING AND ANY INFORMATION OR DESCRIPTIVE MATTER SET OUT HEREON ARE CONFIDENTIAL AND COPYRIGHT PROPERTY OF THE HARWIN GROUP AND MUST NOT BE DISCLOSED, LOANED, COPIED OR USED FOR MANUFACTURING, TENDERING OR FOR ANY OTHER PURPOSE WITHOUT THEIR WRITTEN PERMISSION.

TOLERANCES
X. = ±1mm
X.X = ±0.50mm
X.XX = ±0.20mm
X.XXX = ±0.01mm
ANGLES = ±5°
UNLESS STATED

MATERIAL: SEE ABOVE
FINISH: SEE ABOVE
S/AREA: mm²

TITLE: SMT SPRING CONTACT (1.28mm HIGH) IN TAPE AND REEL
DRAWING NUMBER: S7231-45R
SHT 2 OF 2