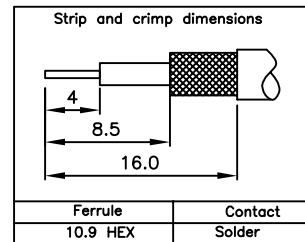
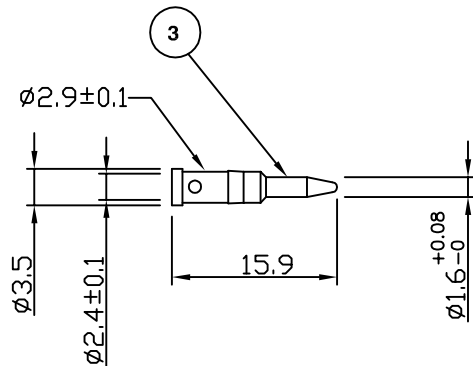
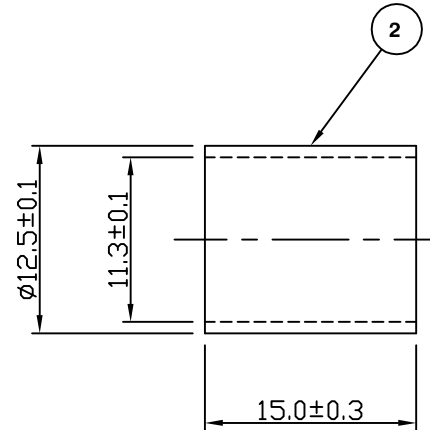
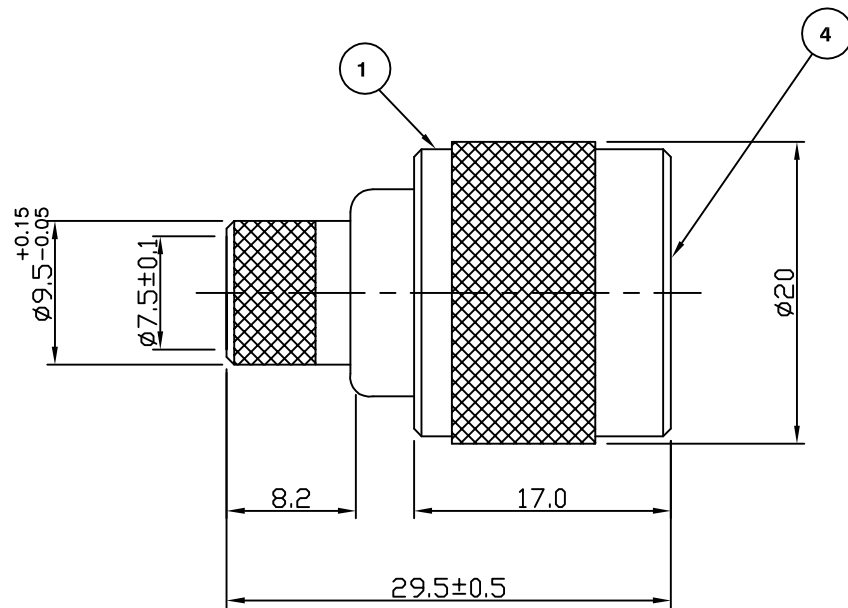


RoHS COMPLIANT



For stripping and assembly instructions see Drawing Number: VAIN1101

**Electrical Characteristics**

Nominal Impedance:	50 ohms
Frequency Range:	DC to 11 GHz
VSWR	1.3:1 maximum
Insertion Loss	0.17 dB max
Operating Voltage (rms):	1500 V maximum at sea level
Dielectric Withstand Voltage (rms):	2500 V maximum at sea level
Contact Resistance:	1.0 milliohms maximum
Insulation Resistance:	5000 megohms minimum

**Mechanical Characteristics**

Mating Cycles:	500 cycles minimum
Interface Dimensions:	Conform to MIL-C-39012

**Environmental Characteristics**

Temperature Range:	-65 °C to +165 °C
--------------------	-------------------

	PART	DESCRIPTION
1	Body	Brass, nickel plated 2.54 μm
2	Ferrule	Brass, nickel plated 2.54 μm
3	Contact	Brass, gold plated 0.076 μm - 0.127 μm
4	Dielectric	PTFE

Contact dimensios updated	MS	4	24 Apr 09
Crimp dimension was 3.3mm	PDC	3	04 Oct 02
CAD Issue	SN	2	29 Jan 02
First Issue	DW	1	15 Jun 99
DESCRIPTION OF REVISION	APPVD	ISS	DATE



Cinch Connectivity Solutions  
7-13 Russel Way,  
Widford Industrial Estate,  
Chelmsford, Essex,  
CM1 3AA, UK.  
Tel: +44 (0) 1245 359515  
Fax: +44 (0) 1245 358938

SCALE: Not To Scale

DIMENSIONS: mm

TOLERANCES:  
± 0.2mm unless  
otherwise stated

DRAWN BY:

P D Couzens

CHECKED BY:

S Nash

APPROVED BY:

S Nash

DATE:

04 Oct 02

TITLE:

N Crimp Plug for RG214

PART NUMBER:

**VN10-2019**

PAGE: 1 of 1