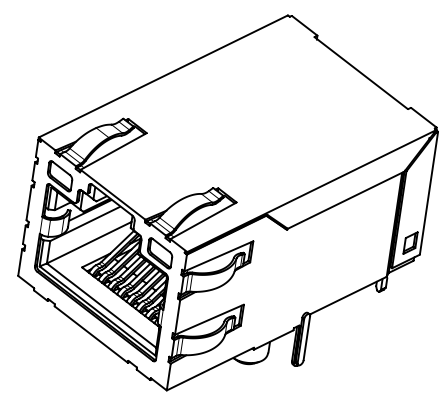


- NOTES:
- MATERIAL:
METAL SHELL: BRASS
HOUSING: POLYAMIDE, GLASS FIBER FILLED, UL94 V-0, COLOR BLACK
INSERT: POLYAMIDE, GLASS FIBER FILLED, UL94 V-0, COLOR BLACK
TERMINAL: PHOSPHOR BRONZE
 - PLATING:
TERMINAL:
CONTACT AREA: GOLD(Au), THICKNESS=50 MICROINCH/1.27 MICROMETER
SOLDER TAIL: TIN(Sn), THICKNESS=100 MICROINCH MINIMUM
UNDER PLATE: NICKEL (Ni).
METAL SHELL:
SOLDER TAIL: TIN(Sn), THICKNESS=100 MICROINCH MINIMUM
UNDER PLATE: NICKEL (Ni), (SOLDERING AVAILABLE)
SURFACE APPEARANCE: BRIGHT.
 - RECOMMENDED PCB THICKNESS: 1.60±0.05
 - PRODUCT SPECIFICATION REFER TO PS-48025-005
 - TEST SUMMARY REFER TO TS-48025-009
 - PACKAGING SPECIFICATION REFER TO PK-48025-001
 - LEAD FREE AND RoHS COMPLIANT PRODUCT.

P/N	LED COLOR	
	LEFT	RIGHT
48025-1090	GREEN	GREEN
48025-1190	GREEN	YELLOW



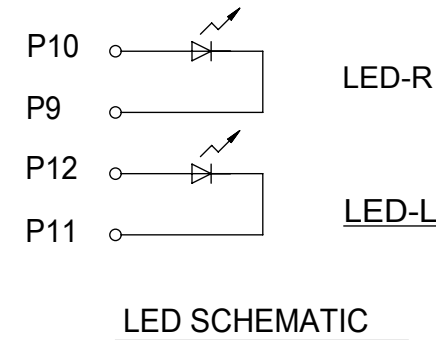
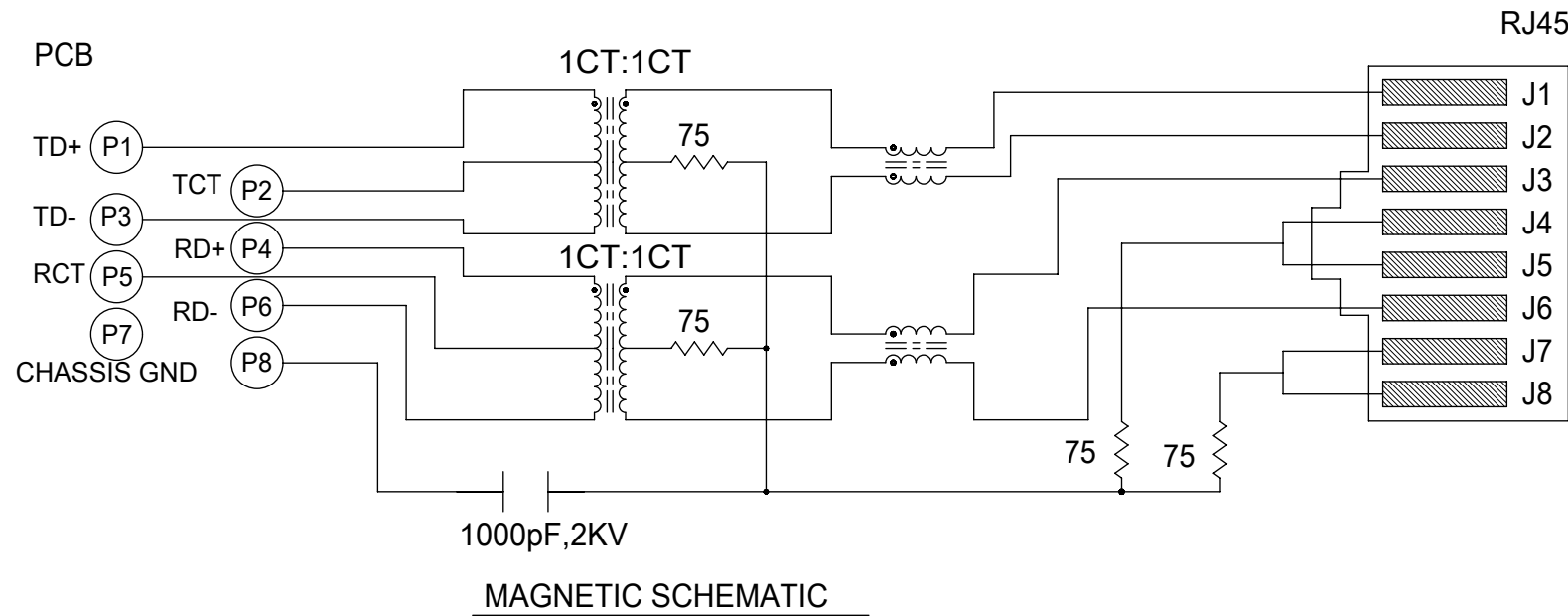
THIS DRAWING CONTAINS INFORMATION THAT IS PROPRIETARY TO MOLEX ELECTRONIC TECHNOLOGIES, LLC AND SHOULD NOT BE USED WITHOUT WRITTEN PERMISSION										
QUALITY SYMBOLS	EC NO: 168908	DRWN: MFAN08	CHK'D: MFAN08	APPR: XQHE	GENERAL TOLERANCES (UNLESS SPECIFIED)	DIMENSION UNITS	SCALE			
						mm	1:1			
▽A = 0	2017/11/15	2017/12/01	2017/12/01	2017/12/01	ANGULAR TOL ± 3.0 °	DRWN BY	DATE	MODULAR JACK WITH INTEGRATED MAGNETICS WITH LED		
▽E = 0	4 PLACES ±	RLI09	2012/05/10							
▽F = 0	3 PLACES ±	CHK'D BY	DATE	PRODUCT CUSTOMER DRAWING						
▽G = 0	2 PLACES ± 0.25	MFAN08	2017/12/01							
▽H = 0	1 PLACE ± 0.25	APPR BY	DATE	SERIES	MATERIAL NUMBER	CUSTOMER				
▽I = 0	0 PLACES ±	RZHANG	2012/06/22	48025	SEE TABLE	GENERAL MARKET				
▽J = 0	DRAFT WHERE APPLICABLE MUST REMAIN WITHIN DIMENSIONS		DRAWING SIZE	THIRD ANGLE PROJECTION	DOCUMENT NUMBER		DOC TYPE	DOC PART	SHEET NUMBER	
▽K = 0			A3		SD-48025-009	PSD	001	1 OF 2		
▽L = 0										

MAGNETIC ELECTRICAL SPECIFICATIONS:

- 1.0 TURNS RATIO:(P4-P5-P6):(J3-J6):1CT:1CT
(P3-P2-P1):(J1-J2):1CT:1CT
- 2.0 INDUCTANCE:(P4-P6):350uH MIN. @0.1V,100KHz,8mA DC Bias.
(P3-P1):350uH MIN. @0.1V,100KHz,8mA DC Bias.
- 3.0 LEAKAGE INDUCTANCE:P6-P5-P4(WITH J6 AND J3 SHORT):0.3 MAX.@1MHz.
P3-P2-P1(WITH J2 AND J1 SHORT):0.3 MAX.@1MHz.
- 4.0 INTERWINDING CAPACITANCE:(P6,P5,P4) TO (J6,J3):30pf MAX @1MHz.
(P3,P2,P1) TO (J2,J1):30pf MAX @1MHz.
- 5.0 DC RESISTANCE:(J6-J3)=(J2-J1):1.3 ohms Max.
- 6.0 RETURN LOSS:(P4-P6)(P1-P3)
1MHz TO 30MHz:18dB min.
30MHz TO 80MHz:12dB min.
- NOTE:100 OHMS CONNECTED TO (J2-J1) OR (J3-J6).
- 7.0 HI-POT:(J1,J2) TO (P1,P3):1500 VAC OR 2250 VDC.
(J3,J6) TO (P4,P6):1500 VAC OR 2250 VDC.
- 8.0 INSERTION LOSS:1.1 dB MAX.
100KHz TO 100MHz.
- 9.0 CROSS TALK:1-100 MHz:30 dB MIN.
- 10.0 COMMON TO COMMON MODE REJECTION:1MHz TO 100MHz:35 dB MIN.

LED ELECTRICAL SPECIFICATION

PARAMETER	YELLOW (TYP.)	GREEN (TYP.)	UNITS	TEST CONDITIONS
POWER DISSIPATION	105	105	mW	
REVERSE VOLTAGE	5	5	V	
PEAK WAVELENGTH	585	565	nm	IF=20mA
FORWARD VOLTAGE	2.1 MAX.=2.5	2.2 MAX.=2.5	V	IF=20mA



QUALITY SYMBOLS	THIS DRAWING CONTAINS INFORMATION THAT IS PROPRIETARY TO MOLEX ELECTRONIC TECHNOLOGIES, LLC AND SHOULD NOT BE USED WITHOUT WRITTEN PERMISSION										
▽ = 0	EC NO: 168908 DRWN: MFAN08 CHK'D: MFAN08 APPR: XQHE	GENERAL TOLERANCES (UNLESS SPECIFIED)		DIMENSION UNITS	SCALE						
▽ = 0		ANGULAR TOL ± 3.0 °		mm	1:1						
▽ = 0		4 PLACES ±	3 PLACES ±	DRWN BY	DATE						
▽ = 0		DRAFT WHERE APPLICABLE MUST REMAIN WITHIN DIMENSIONS	2 PLACES ± 0.25	1 PLACE ± 0.25	0 PLACES ±	CHK'D BY	DATE	MODULAR JACK WITH INTEGRATED MAGNETICS WITH LED			
▽ = 0			1 PLACE ± 0.25	0 PLACES ±	MFAN08	2017/12/01					
▽ = 0			DRAFT WHERE APPLICABLE MUST REMAIN WITHIN DIMENSIONS	DRAWING SIZE		THIRD ANGLE PROJECTION	APPR BY	DATE	PRODUCT CUSTOMER DRAWING		
▽ = 0	A3					RZHANG	2012/06/22				
▽ = 0	D	REV	SERIES		MATERIAL NUMBER		CUSTOMER				
▽ = 0			48025		SEE TABLE		GENERAL MARKET				
			DOCUMENT NUMBER		DOC TYPE	DOC PART	SHEET NUMBER				
			SD-48025-009		PSD	001	2 OF 2				