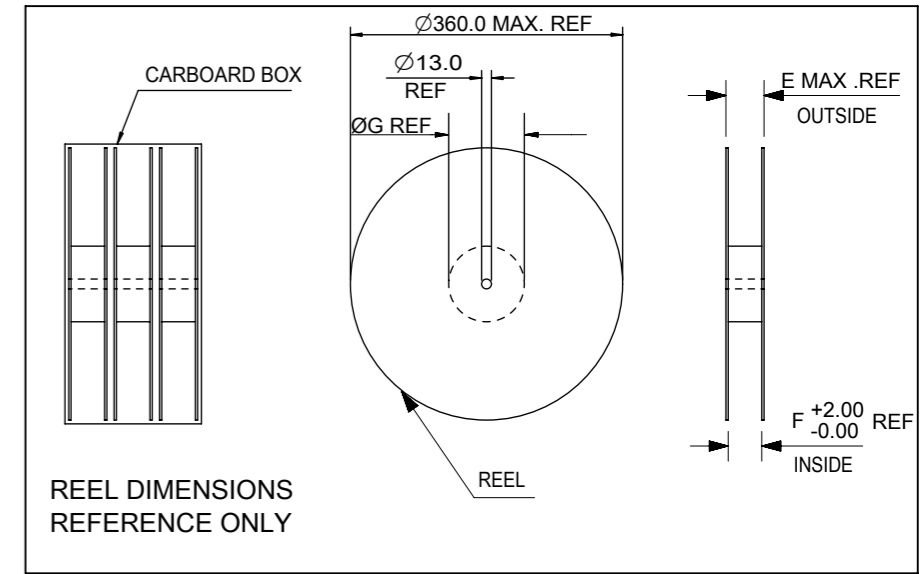
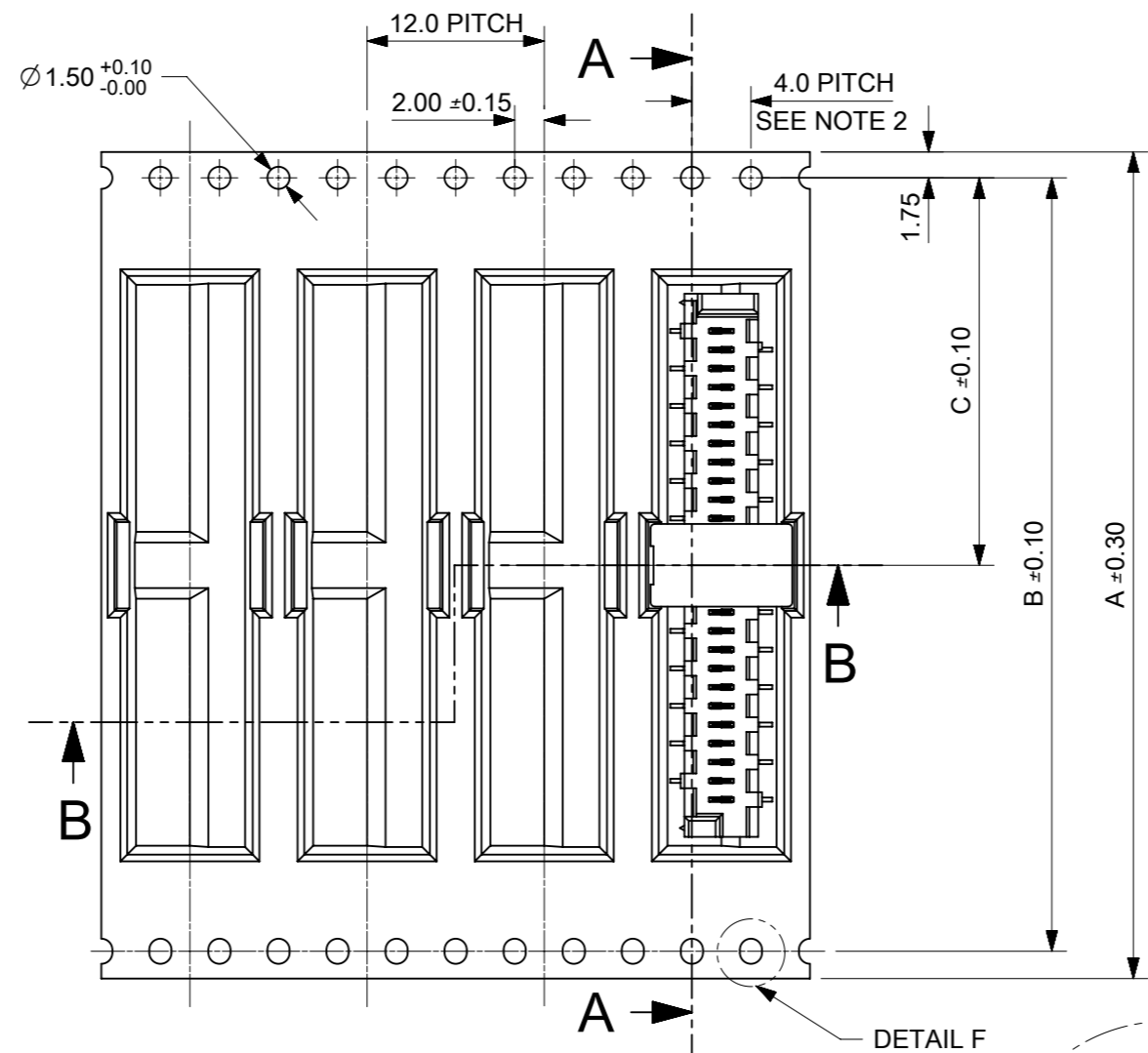
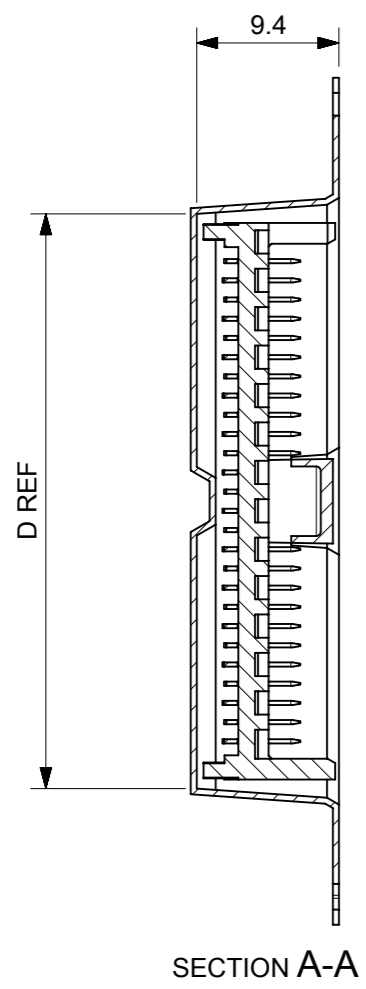
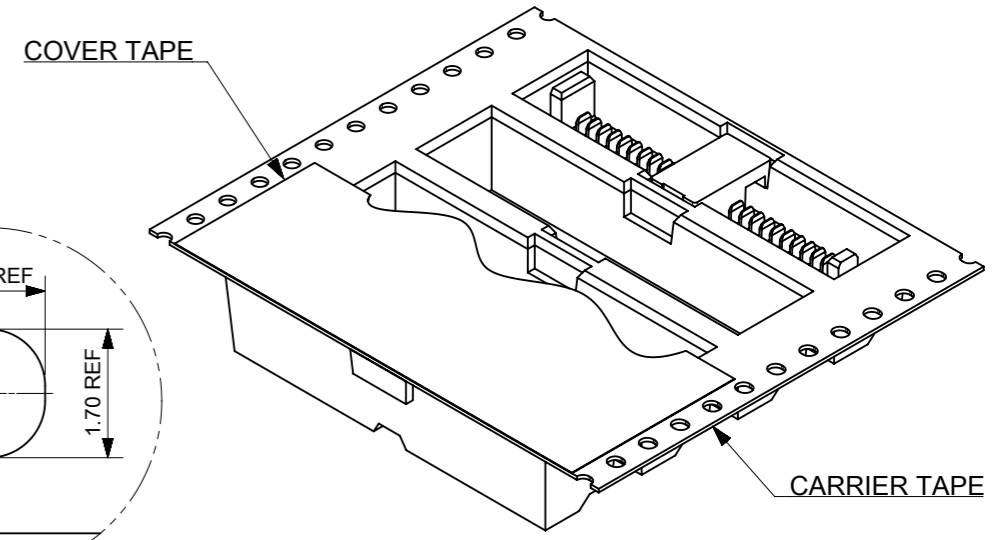
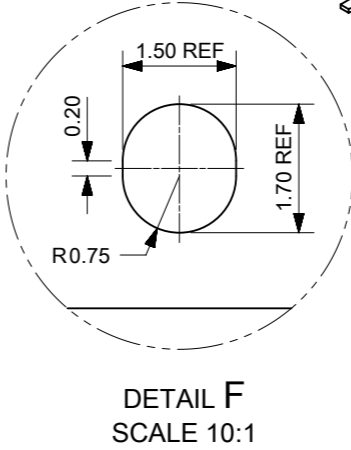
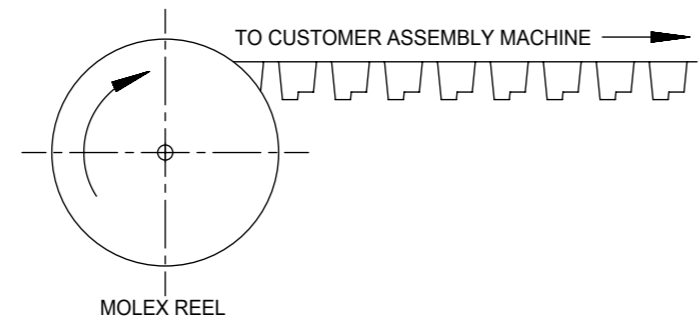
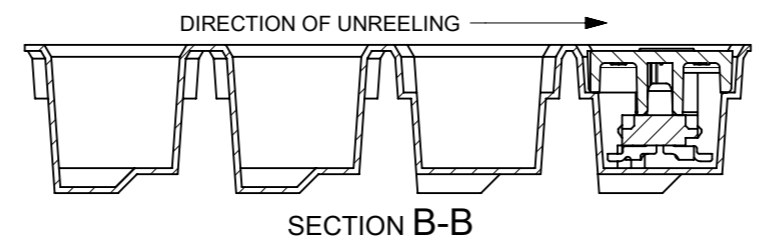
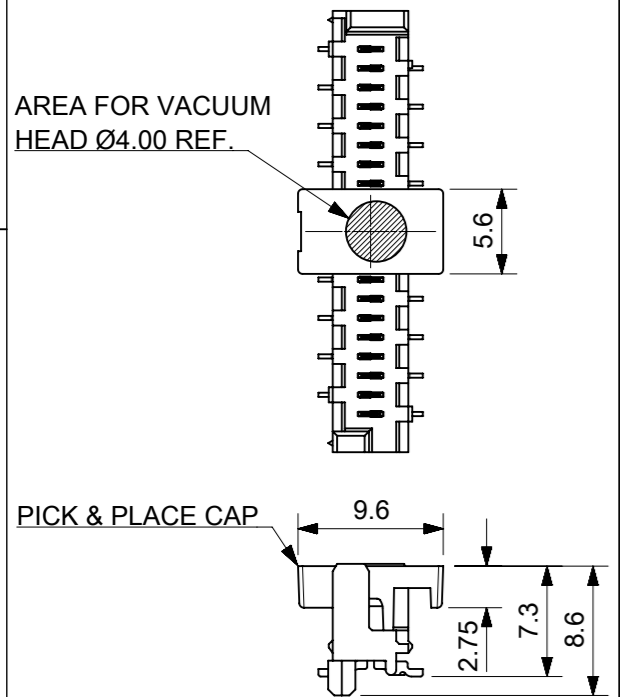


**CARRIER TAPE FOR STANDARD SMT HEADERS.**

| PART NUMBER     | NO. OF CKTS | DIM A | DIM B | DIM C | DIM D | DIM E | DIM F | DIM G | PIECES PER BOX | REELS PER BOX | PIECES PER REEL |
|-----------------|-------------|-------|-------|-------|-------|-------|-------|-------|----------------|---------------|-----------------|
| 90814-*226/*526 | 26          | 56.0  | 52.4  | 26.2  | 38.0  | 62.4  | 56.4  | 150.0 | 1200           | 2             | 600             |
| 90814-*224/*524 | 24          |       |       |       |       |       |       |       |                |               |                 |
| 90814-*222/*522 | 22          |       |       |       |       |       |       |       |                |               |                 |



STANDARD SMT PICOFLEX COMPONENT & CAP DETAIL  
PART NUMBERS 90814-\*2\*\*/\*5\*\*  
SEE DRAWING NO. SDA-90814 FOR COMPONENT DETAIL

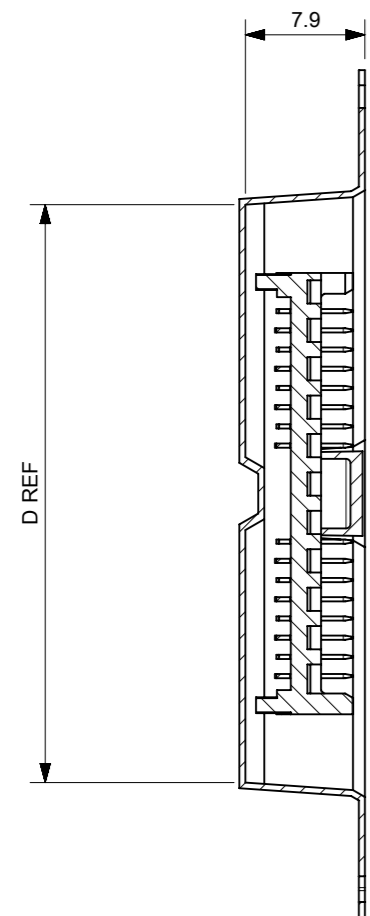


- NOTES:
- MATERIAL:  
CARRIER TAPE: VOLUME NON-CONDUCTIVE ANTISTATIC COATED POLYSTYRENE, 0.4 mm REF. THICK, CLEAR.  
COVER TAPE: COLD SEAL POLYESTER, 0.06 mm REF. THICK, TRANSPARENT.
  - PITCH TOLERANCE OVER ANY 10 PITCHES ± 0.2 mm.
  - ALL CAVITY WALLS HAVE DRAFT ANGLE UNLESS STATED OTHERWISE.
  - ALL INTERNAL RADII R0.3 mm MAX.
  - PEEL FORCE OF THE COVER TAPE IS 0.1 N TO 1.3 N AT MAXIMUM PEEL SPEED OF 300 mm/MIN, ± 10%.
  - REFERENCE TO IEC 60286-3.

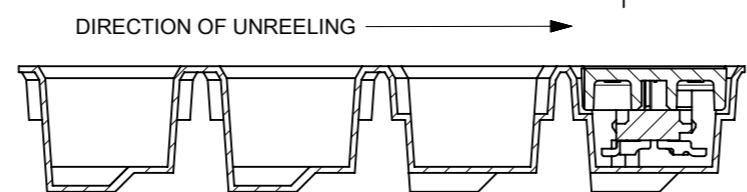
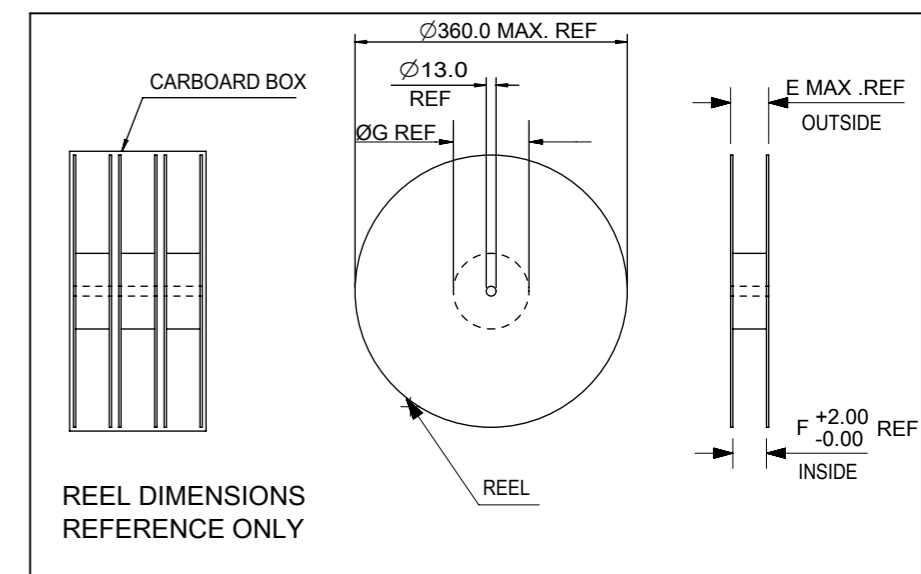
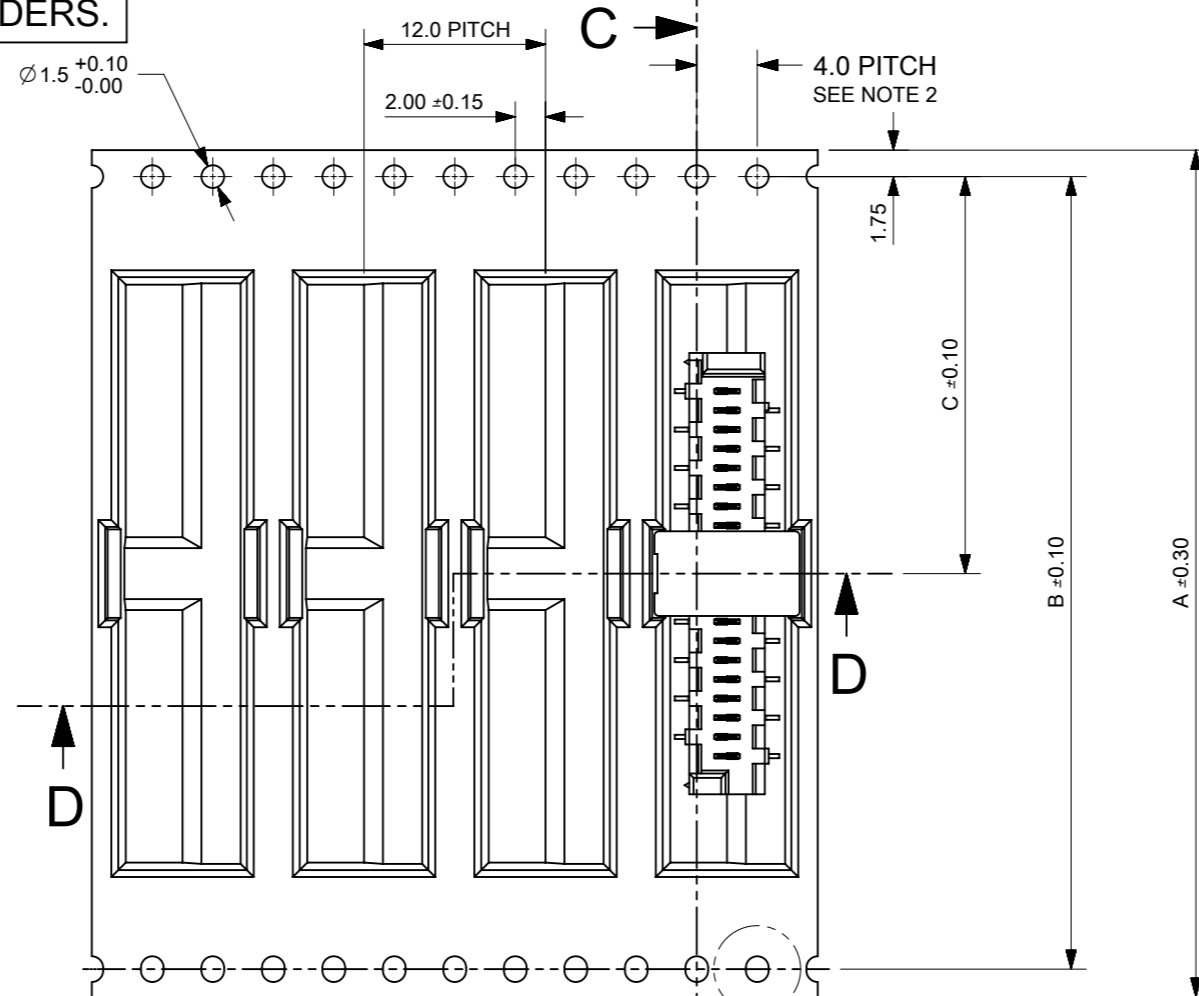
|   |              |                           |                  |                            |                      |                                  |
|---|--------------|---------------------------|------------------|----------------------------|----------------------|----------------------------------|
| THIS DRAWING CONTAINS INFORMATION THAT IS PROPRIETARY TO MOLEX ELECTRONIC TECHNOLOGIES, LLC AND SHOULD NOT BE USED WITHOUT WRITTEN PERMISSION |              | CURRENT REV DESC: REVISED |                  | <b>molex</b>               |                      |                                  |
| DIMENSION UNITS: mm   | SCALE: 1.5:1 |                           |                  |                            |                      | PICOFLEX SMT HEADER BLISTER TAPE |
| GENERAL TOLERANCES (UNLESS SPECIFIED)   |              | EC NO: 169568             |                  | PRODUCT CUSTOMER DRAWING   |                      |                                  |
| ANGULAR TOL   | ± 2.0°       | DRWN: BPMURPHY            | 2017/12/05       | DOCUMENT NUMBER: 908149001 |                      |                                  |
| 4 PLACES  | ±            | CHK'D: DSHEA              | 2018/04/13       | DOC TYPE: PSD              | DOC PART: 000        |                                  |
| 3 PLACES  | ±            | APPR: DBYRNES             | 2018/04/18       | REVISION: B                |                      |                                  |
| 2 PLACES  | ± 0.1        | INITIAL REVISION:         |                  | SHEET NUMBER: 1 OF 2       |                      |                                  |
| 1 PLACE   | ± 0.2        | DRWN: BPMURPHY            | 2017/09/25       | MATERIAL NUMBER: SEE TABLE |                      |                                  |
| 0 PLACES  | ±            | APPR: DBYRNES             | 2017/11/17       | CUSTOMER: GENERAL MARKET   |                      |                                  |
| DRAFT WHERE APPLICABLE MUST REMAIN WITHIN DIMENSIONS  |              | THIRD ANGLE PROJECTION    | DRAWING: A3-SIZE | SERIES: 90814              | SHEET NUMBER: 1 OF 2 |                                  |

**CARRIER TAPE FOR LOW-PROFILE SMT HEADERS.**

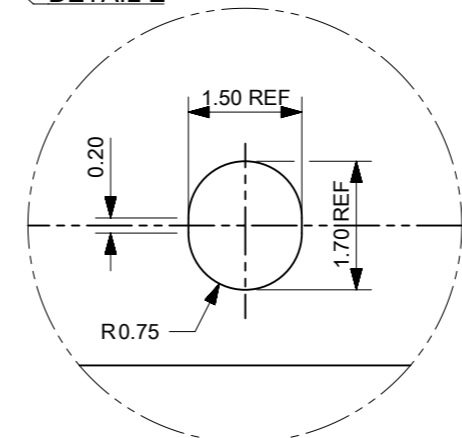
| PART NUMBER     | NO. OF CKTS | DIM A | DIM B | DIM C | DIM D | DIM E | DIM F | DIM G | PIECES PER BOX | REELS PER BOX | PIECES PER REEL |
|-----------------|-------------|-------|-------|-------|-------|-------|-------|-------|----------------|---------------|-----------------|
| 90814-*726/*926 | 26          | 56.0  | 52.4  | 26.2  | 38.0  | 62.4  | 56.4  | 150.0 | 1200           | 2             | 600             |
| 90814-*724/*924 | 24          |       |       |       |       |       |       |       |                |               |                 |
| 90814-*722/*922 | 22          |       |       |       |       |       |       |       |                |               |                 |



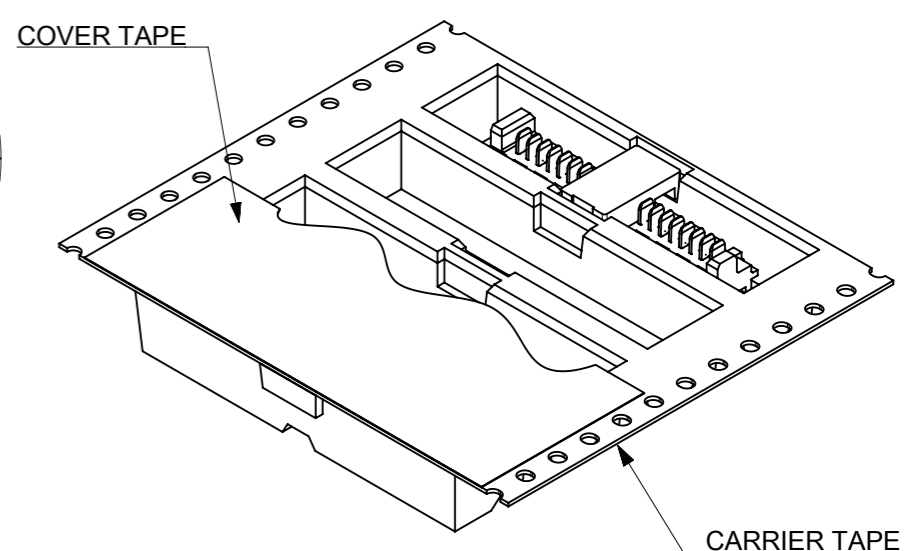
SECTION C-C



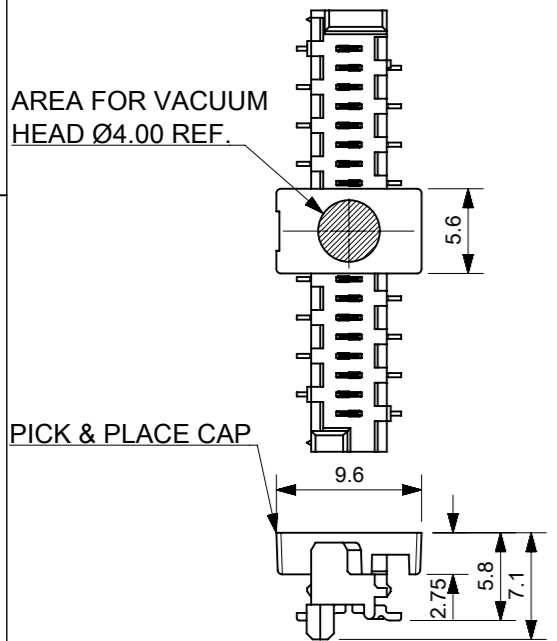
SECTION D-D



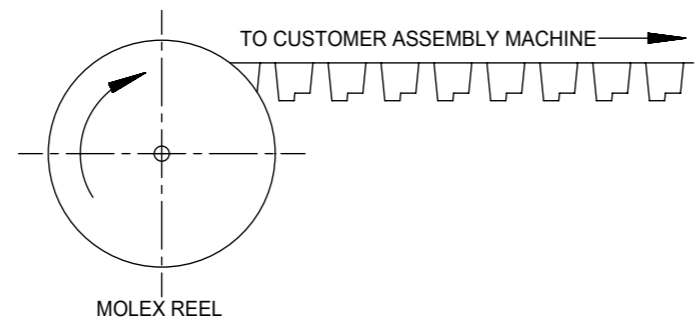
DETAIL E SCALE 10:1



LOW-PROFILE SMT PICOFLEX COMPONENT & CAP DETAIL  
PART NUMBERS 90814-\*7\*\*/\*9\*\*  
SEE DRAWING NO. SDA-90814 FOR COMPONENT DETAIL



PICK & PLACE CAP



MOLEX REEL

- NOTES:
- MATERIAL:  
CARRIER TAPE: VOLUME NON-CONDUCTIVE ANTISTATIC COATED POLYSTYRENE, 0.4 mm REF. THICK, CLEAR.  
COVER TAPE: COLD SEAL POLYESTER, 0.06 mm REF. THICK, TRANSPARENT.
  - PITCH TOLERANCE OVER ANY 10 PITCHES ±0.2 mm.
  - ALL CAVITY WALLS HAVE DRAFT ANGLE UNLESS STATED OTHERWISE.
  - ALL INTERNAL RADII R0.3 mm MAX.
  - PEEL FORCE OF THE COVER TAPE IS 0.1 N TO 1.3 N AT MAXIMUM PEEL SPEED OF 300 mm/MIN, ±10%.
  - REFERENCE TO IEC 60286-3.

|   |        |                           |         |                            |                 |                                  |
|---|--------|---------------------------|---------|----------------------------|-----------------|----------------------------------|
| THIS DRAWING CONTAINS INFORMATION THAT IS PROPRIETARY TO MOLEX ELECTRONIC TECHNOLOGIES, LLC AND SHOULD NOT BE USED WITHOUT WRITTEN PERMISSION |        | CURRENT REV DESC: REVISED |         | <b>molex</b>               |                 |                                  |
| DIMENSION UNITS   | SCALE  |                           |         |                            |                 | PICOFLEX SMT HEADER BLISTER TAPE |
| mm  | 1.5:1  |                           |         | PRODUCT CUSTOMER DRAWING   |                 |                                  |
| GENERAL TOLERANCES (UNLESS SPECIFIED)   |        | EC NO: 169568             |         | DOCUMENT NUMBER            |                 |                                  |
| ANGULAR TOL   | ± 2.0° | DRWN: BPMURPHY 2017/12/05 |         | 908149001                  |                 |                                  |
| 4 PLACES  | ±      | CHK'D: DSHEA 2018/04/13   |         | DOC TYPE DOC PART REVISION |                 |                                  |
| 3 PLACES  | ±      | APPR: DBYRNES 2018/04/18  |         | PSD 000 B                  |                 |                                  |
| 2 PLACES  | ± 0.1  | INITIAL REVISION:         |         | SHEET NUMBER               |                 |                                  |
| 1 PLACE   | ± 0.2  | DRWN: BPMURPHY 2017/09/25 |         | 2 OF 2                     |                 |                                  |
| 0 PLACES  | ±      | APPR: DBYRNES 2017/11/17  |         |                            |                 |                                  |
| DRAFT WHERE APPLICABLE MUST REMAIN WITHIN DIMENSIONS  |        | THIRD ANGLE PROJECTION    | DRAWING | SERIES                     | MATERIAL NUMBER | CUSTOMER                         |
|   |        |                           | A3-SIZE | 90814                      | SEE TABLE       | GENERAL MARKET                   |



- NOTES:
- 1) MATERIAL: HOUSING: NYLON (PA) GLASS FILLED. UL94 V-0, NATURAL (BEIGE)  
TERMINAL - CARTRIDGE BRASS 0.28 REF THICK
  - 2) PLATING:  
TIN: TIN (Sn) 3-5 MICROMETRE OVER 1.27 MICROMETRE MIN NICKEL(Ni).  
GOLD : UNDERPLATED 1.27µm MIN NICKEL  
3-5µm TIN SELECTIVE  
0.76µm MIN. SELECTIVE GOLD
  - 3) MATES WITH MOLEX 90327 PART SERIES.
  - 4) ALL SMT TAILS TO LIE WITHIN A COPLANARITY BAND OF 0.0 - 0.10 REF. FROM EACH OTHER.
  - 5) FOR TAPE AND REEL PACKAGING SEE 908149001 PSD AND 908149002 PSD.  
FOR TUBE PACKAGING SEE PK-90814-001
  - 6) PCB PEGS ARE OPTIONAL.
  - 7) PCB LAYOUT SHOWN ON SHEET 2.
  - 8) PRODUCT SPECIFICATION: PS-99020-0011
  - 9) FOR RECOMMENDED REFLOW PROFILES, REFER TO PS-99020-0011 APPENDIX B

INSPECTION NUMBERS USED ON SHEET 1: 1-50  
LAST INSPECTION NUMBER: 16

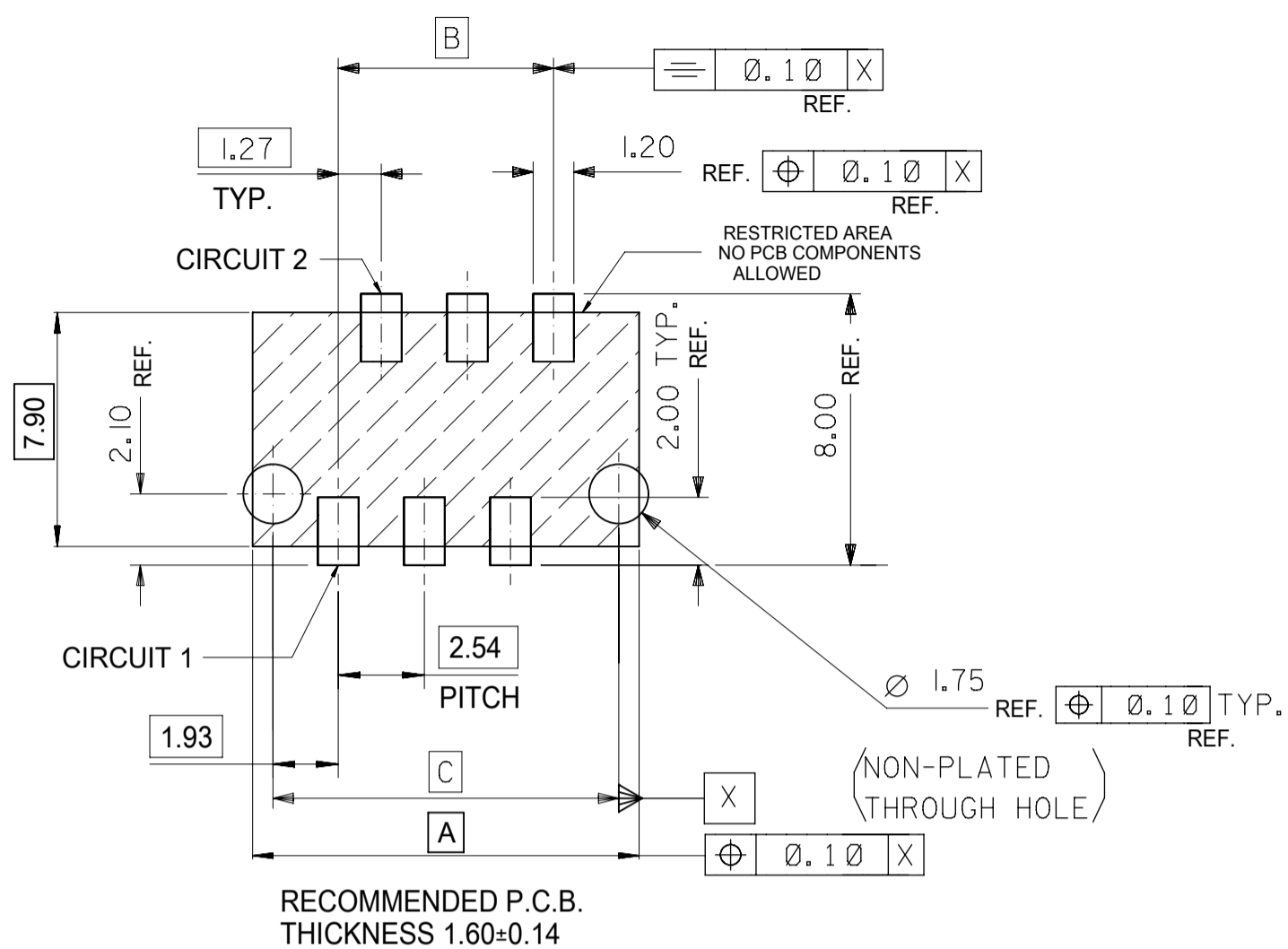
90814 - \* \* \*  
CIRCUIT SIZE

|   | PCB PEGS | TUBE PACKED | TAPE & REEL PACKED | POLARIZING PEG HEIGHT DIMN. E |          |
|---|----------|-------------|--------------------|-------------------------------|----------|
| 0 | YES      | YES         | NO                 | 6.40                          | STANDARD |
| 2 | YES      | NO          | YES                | 6.40                          | PROFILE  |
| 3 | NO       | YES         | NO                 | 6.40                          | REFLOW   |
| 5 | NO       | NO          | YES                | 6.40                          | NOTE 9   |
| 6 | NO       | YES         | NO                 | 4.10                          | LOW      |
| 7 | NO       | NO          | YES                | 4.10                          | PROFILE  |
| 8 | YES      | YES         | NO                 | 4.10                          | REFLOW   |
| 9 | YES      | NO          | YES                | 4.10                          | NOTE 9   |

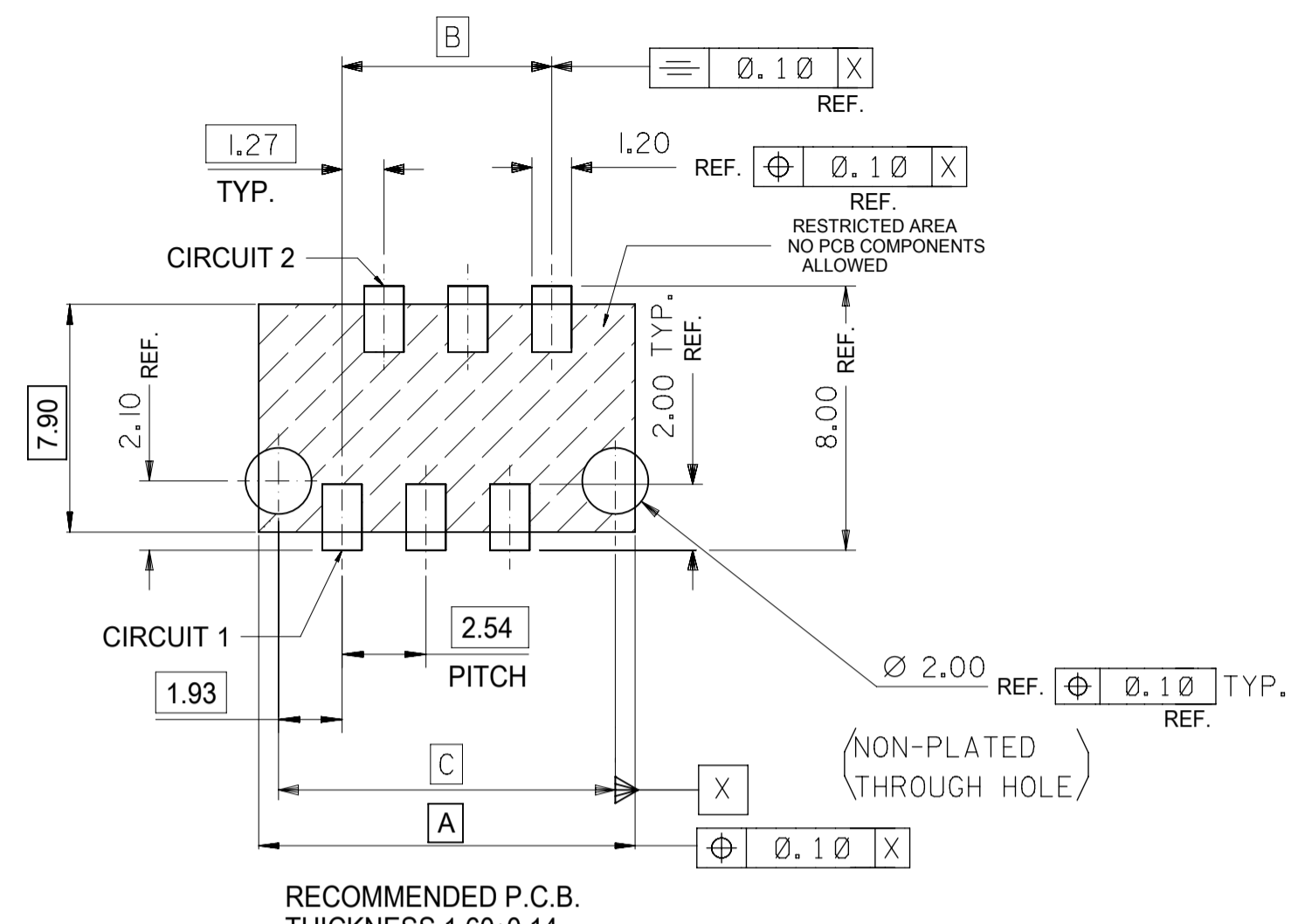
0= 3-5 MICROMETRE TIN VERSION  
3= 0.76µm GOLD PLATING

|             |                |         |         |         |   |        |
|-------------|----------------|---------|---------|---------|---|--------|
| 90814-**-26 | 26             | 36.80   | 31.75   | 35.60   | 14  | YES    |
| 90814-**-24 | 24             | 34.26   | 29.21   | 33.06   | 15  | YES    |
| 90814-**-22 | 22             | 31.72   | 26.67   | 30.52   | 16  | YES    |
| 90814-**-20 | 20             | 29.18   | 24.13   | 27.98   | 18  | YES    |
| 90814-**-18 | 18             | 26.64   | 21.59   | 25.44   | 20  | YES    |
| 90814-**-16 | 16             | 24.10   | 19.05   | 22.90   | 22  | YES    |
| 90814-**-14 | 14             | 21.56   | 16.51   | 20.36   | 25  | YES    |
| 90814-**-12 | 12             | 19.02   | 13.97   | 17.82   | 28  | YES    |
| 90814-**-10 | 10             | 16.48   | 11.43   | 15.28   | 32  | YES    |
| 90814-**-08 | 8              | 13.94   | 8.89    | 12.74   | 38  | YES    |
| 90814-**-06 | 6              | 11.40   | 6.35    | 10.20   | 46  | YES    |
| 90814-**-04 | 4              | 8.86    | 3.81    | 7.66    | 60  | YES    |
| PART NO.    | NUMBER OF CKTS | DIMN. A | DIMN. B | DIMN. C | QUANTITY OF PARTS PER TUBE (-*0**/*-3**/*-6** & -*8** VERSIONS) | TOOLED |

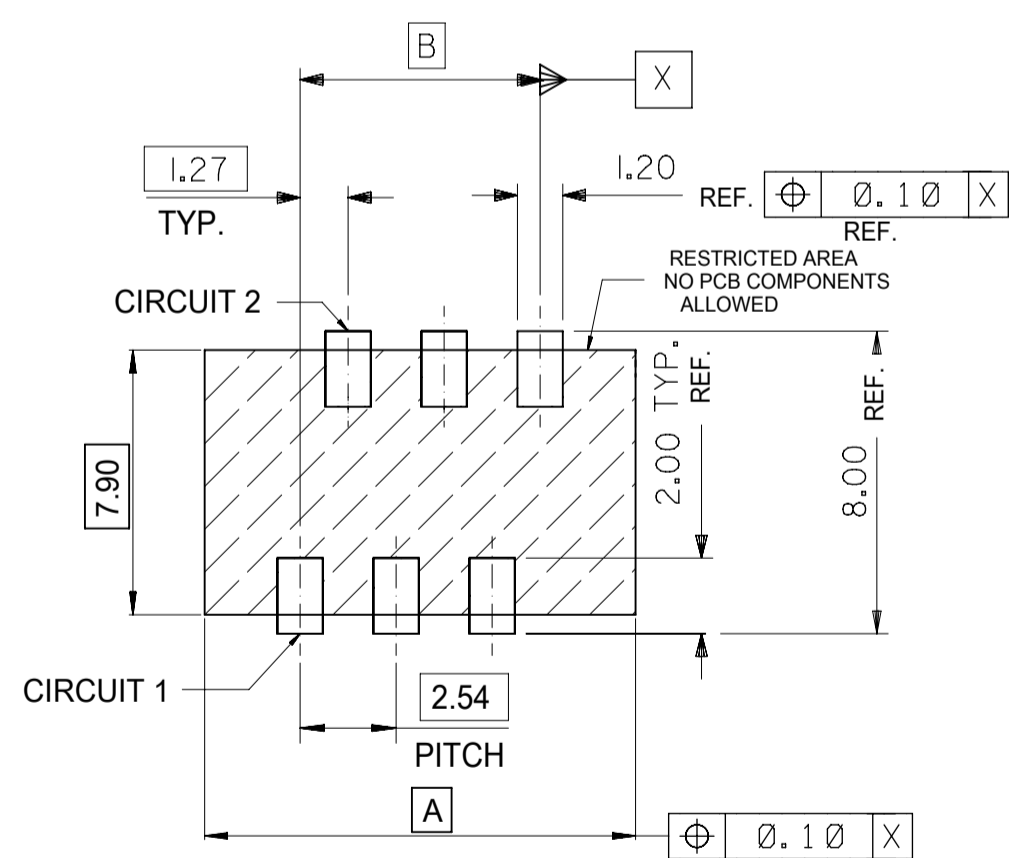
|   |  |       |  |                        |  |              |  |                 |  |                  |  |
|---|--|-------|--|------------------------|--|--------------|--|-----------------|--|------------------|--|
| THIS DRAWING CONTAINS INFORMATION THAT IS PROPRIETARY TO MOLEX ELECTRONIC TECHNOLOGIES, LLC AND SHOULD NOT BE USED WITHOUT WRITTEN PERMISSION |  |       |  |                        |  |              |  |                 |  |                  |  |
| DIMENSION UNITS   |  | SCALE |  | CURRENT REV DESC:      |  |              |  |                 |  |                  |  |
| mm  |  | 5:1   |  |                        |  |              |  |                 |  |                  |  |
| GENERAL TOLERANCES (UNLESS SPECIFIED)   |  |       |  | EC NO: 738955          |  | DRWN: GOWTHP |  | 2023/02/02      |  | <b>SDA-90814</b> |  |
| ANGULAR TOL ± 0.5°  |  |       |  | DRWN: GOWTHP           |  | 2023/02/16   |  |                 |  |                  |  |
| 4 PLACES ±  |  |       |  | CHK'D: GOWTHP          |  | 2023/02/16   |  | DOC TYPE        |  | DOC PART         |  |
| 3 PLACES ±  |  |       |  | APPR: ISHWARG          |  | 2023/02/20   |  | PSD             |  | 001              |  |
| 2 PLACES ± 0.1  |  |       |  | INITIAL REVISION:      |  |              |  | REVISION        |  | AE1              |  |
| 1 PLACE ±   |  |       |  | DRWN: DMCNAMAR         |  | 2001/08/16   |  | MATERIAL NUMBER |  | CUSTOMER         |  |
| 0 PLACES ±  |  |       |  | APPR: EFOLEN           |  | 2010/11/04   |  | SEE CHART       |  | GENERAL MARKET   |  |
| DRAFT WHERE APPLICABLE MUST REMAIN WITHIN DIMENSIONS  |  |       |  | THIRD ANGLE PROJECTION |  | DRAWING      |  | SERIES          |  | SHEET NUMBER     |  |
|   |  |       |  |                        |  | A2-SIZE      |  | 90814           |  | 1 OF 2           |  |



PCB LAYOUT FOR TRANSITION FIT WITH PCB PEGS  
 HEADER VERSIONS 90814-xx0xx/-x2xx/-x8xx/-x9xx,  
 VIEWED FROM COMPONENT SIDE



PCB LAYOUT FOR CLEARANCE FIT WITH PCB PEGS  
 HEADER VERSIONS 90814-xx0xx/-x2xx/-x8xx/-x9xx,  
 VIEWED FROM COMPONENT SIDE



PCB LAYOUT FOR HEADERS WITHOUT PCB PEGS  
 HEADER VERSIONS 90814-xx3xx/-x5xx/-x6xx/-x7xx,  
 VIEWED FROM COMPONENT SIDE

|            |                |         |         |         |
|------------|----------------|---------|---------|---------|
| 90814-xx26 | 26             | 36.80   | 31.75   | 35.60   |
| 90814-xx24 | 24             | 34.26   | 29.21   | 33.06   |
| 90814-xx22 | 22             | 31.72   | 26.67   | 30.52   |
| 90814-xx20 | 20             | 29.18   | 24.13   | 27.98   |
| 90814-xx18 | 18             | 26.64   | 21.59   | 25.44   |
| 90814-xx16 | 16             | 24.10   | 19.05   | 22.90   |
| 90814-xx14 | 14             | 21.56   | 16.51   | 20.36   |
| 90814-xx12 | 12             | 19.02   | 13.97   | 17.82   |
| 90814-xx10 | 10             | 16.48   | 11.43   | 15.28   |
| 90814-xx08 | 8              | 13.94   | 8.89    | 12.74   |
| 90814-xx06 | 6              | 11.40   | 6.35    | 10.20   |
| 90814-xx04 | 4              | 8.86    | 3.81    | 7.66    |
| PART NO.   | NUMBER OF CKTS | DIMN. A | DIMN. B | DIMN. C |

THIS DRAWING CONTAINS INFORMATION THAT IS PROPRIETARY TO MOLEX ELECTRONIC TECHNOLOGIES, LLC AND SHOULD NOT BE USED WITHOUT WRITTEN PERMISSION

| DIMENSION UNITS                                      | SCALE  | CURRENT REV DESC:      |              |
|--|--------|------------------------|--------------|
| mm   | 5:1    |                        |              |
| GENERAL TOLERANCES (UNLESS SPECIFIED)                |        | EC NO: 738955          |              |
| ANGULAR TOL  | ± 0.5° | DRWN: GOWTHP           | 2023/02/02   |
| 4 PLACES   | ±      | CHK'D: GOWTHP          | 2023/02/16   |
| 3 PLACES   | ±      | APPR: ISHWARG          | 2023/02/20   |
| 2 PLACES   | ± 0.1  | INITIAL REVISION:      |              |
| 1 PLACE  | ±      | DRWN: DMCNAMAR         | 2001/08/16   |
| 0 PLACES   | ±      | APPR: EFOLEN           | 2010/11/04   |
| DRAFT WHERE APPLICABLE MUST REMAIN WITHIN DIMENSIONS |        | THIRD ANGLE PROJECTION | DRAWING      |
|  |        | SERIES                 | SHEET NUMBER |
|  |        | A2-SIZE                | 90814        |

# molex

PICOFLEX SMT HEADER

PRODUCT CUSTOMER DRAWING

|                 |                |              |          |
|-----------------|----------------|--------------|----------|
| DOCUMENT NUMBER | DOC TYPE       | DOC PART     | REVISION |
| SDA-90814       | PSD            | 001          | AE1      |
| MATERIAL NUMBER | CUSTOMER       | SHEET NUMBER |          |
| SEE CHART       | GENERAL MARKET | 2 OF 2       |          |