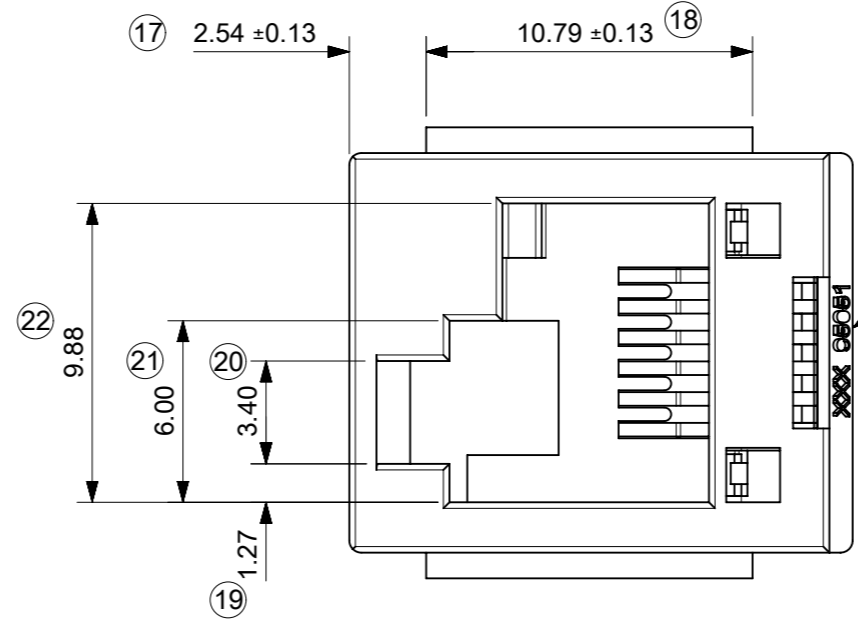
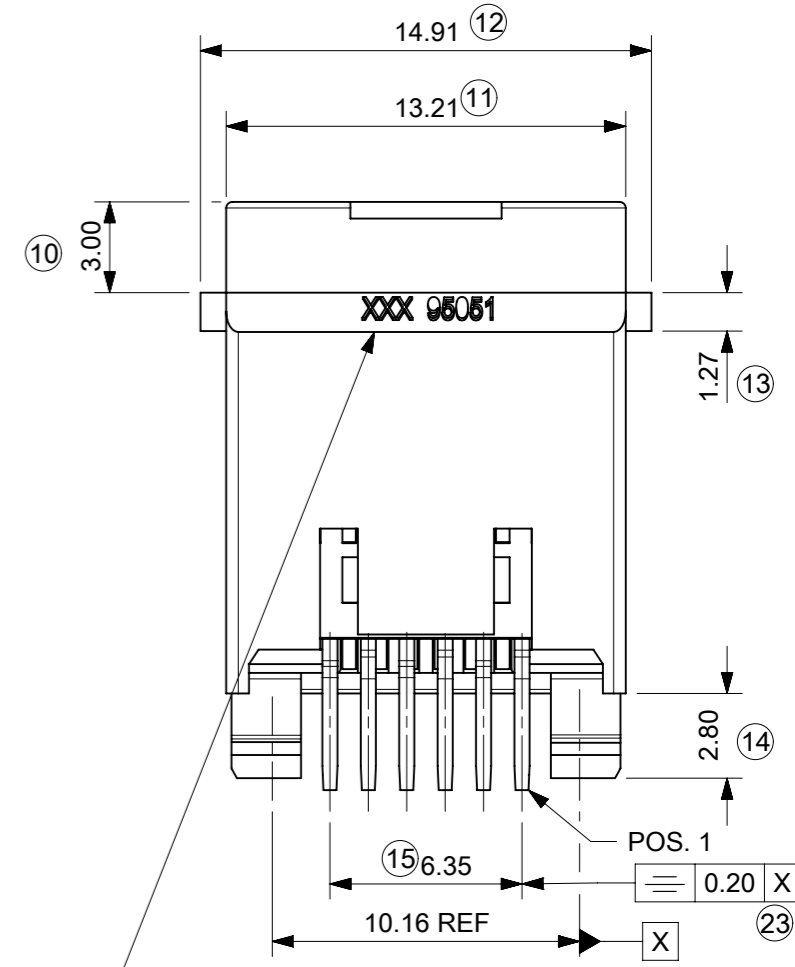
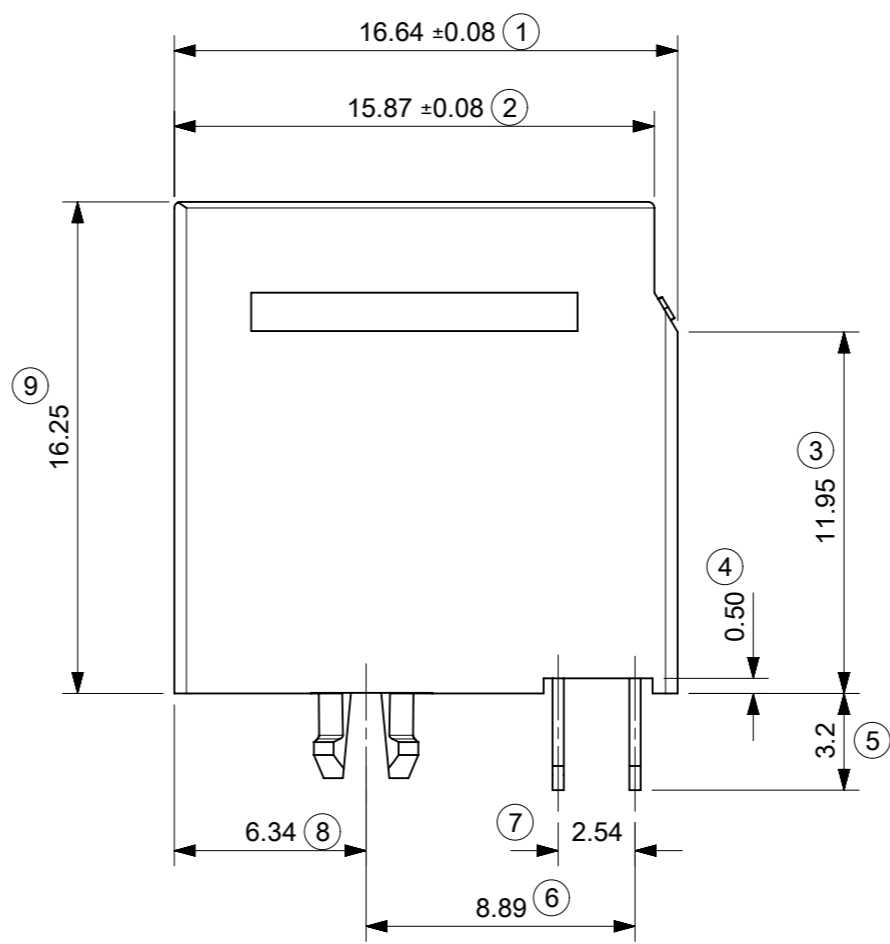
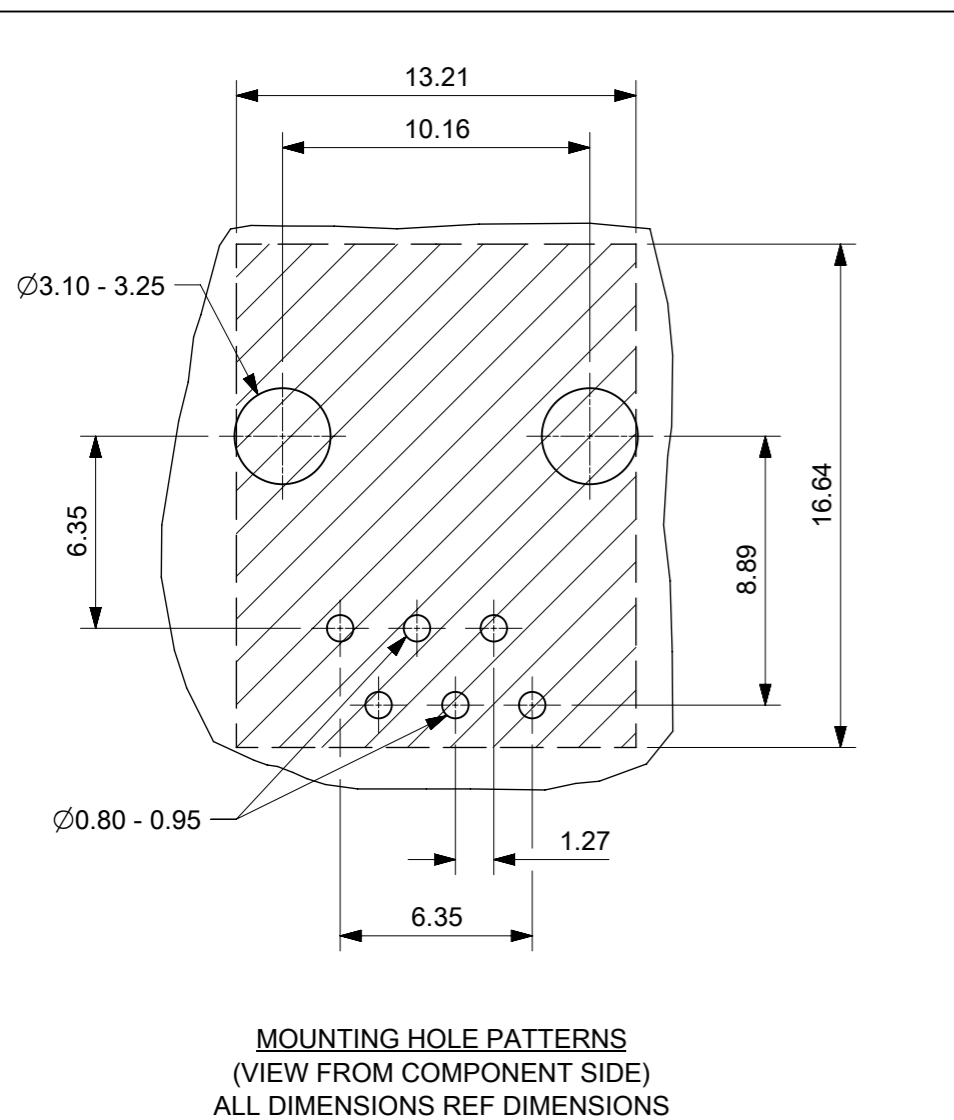


NOTES:

- MATERIAL: LCP 30% GLASS FILLED, UL 94-V0, COLOUR: BLACK
 TERMINAL: COPPER ALLOY, PLATED WITH:
 PLATING 6: POST PLATE 0.00005 MIN GOLD FLASH OVER
 0.00100 MIN, PALLADIUM-NICKEL IN CONTACT AREA,
 0.00190 PURE TIN IN TAIL AREA,
 BOTH OVER 0.00127 MIN, NICKEL OVERALL.
- RECOMMENDED PRINTED CIRCUIT BOARD THICKNESS: 1.57
- FOR USE WITH UNCENTERED LATCH PLUG,
- PRODUCT SPECIFICATION: PS-95522-002
- LOGO MAY BE MXF, MG, MXI OR MXCH
- PACKAGING SPECIFICATION: TRAY - PK-95051-001, SHT 1,
 TUBE - PK-95022, SHT 2.

LAST INSPECTION NUMBER: 23
 REMOVED INSPECTION NO: 16



SEE NOTE 5

PART NO.	PLATING	PACKAGING TYPE
95551-7667	6	TRAY
95551-7677	6	TUBE

THIS DRAWING CONTAINS INFORMATION THAT IS PROPRIETARY TO MOLEX ELECTRONIC TECHNOLOGIES, LLC AND SHOULD NOT BE USED WITHOUT WRITTEN PERMISSION

DIMENSION UNITS mm	SCALE 4:1	CURRENT REV DESC: REMASTERED USING 3D MODELS	molex		
GENERAL TOLERANCES (UNLESS SPECIFIED)					
ANGULAR TOL ± 0.5°	EC NO: 686852	2021/08/13	PRODUCT CUSTOMER DRAWING		
4 PLACES ±	DRWN: AKUMAR19	2022/01/13	DOCUMENT NUMBER		
3 PLACES ±	CHK'D: KLANG	2022/01/13	DOC TYPE		
2 PLACES ± 0.25	APPR: KLANG	2022/01/13	DOC PART		
1 PLACE ± 0.35	INITIAL REVISION:		REVISION		
0 PLACES ±	DRWN: DBYRNES	2007/02/06	SD-95551-001		
	APPR: EOMAHONY	2007/02/12	PSD 001 C2		
DRAFT WHERE APPLICABLE MUST REMAIN WITHIN DIMENSIONS	THIRD ANGLE PROJECTION	DRAWING	SERIES	MATERIAL NUMBER	CUSTOMER
		A3-SIZE	95551	SEE CHART	GENERAL MARKET
					SHEET NUMBER
					1 OF 1