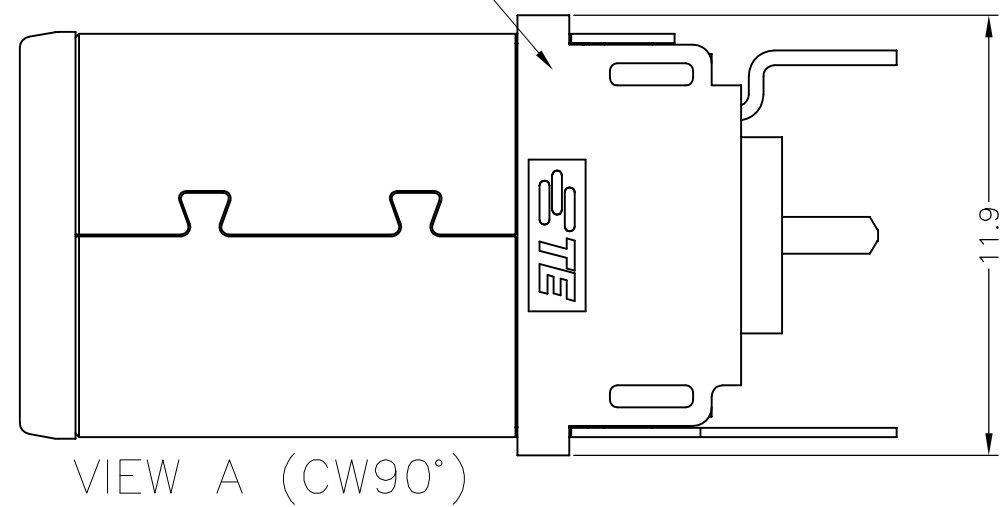
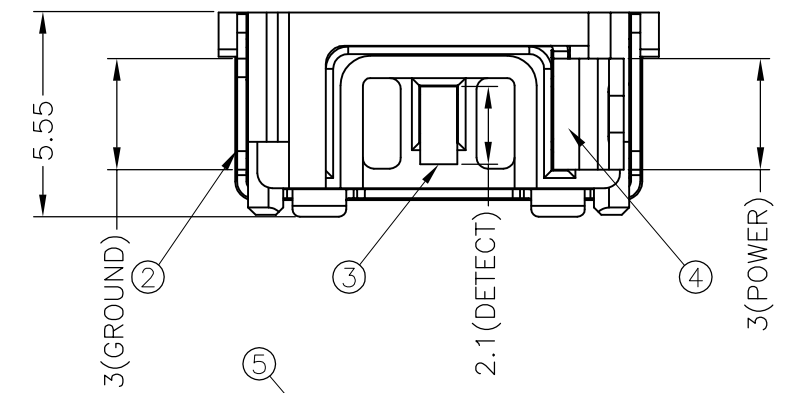
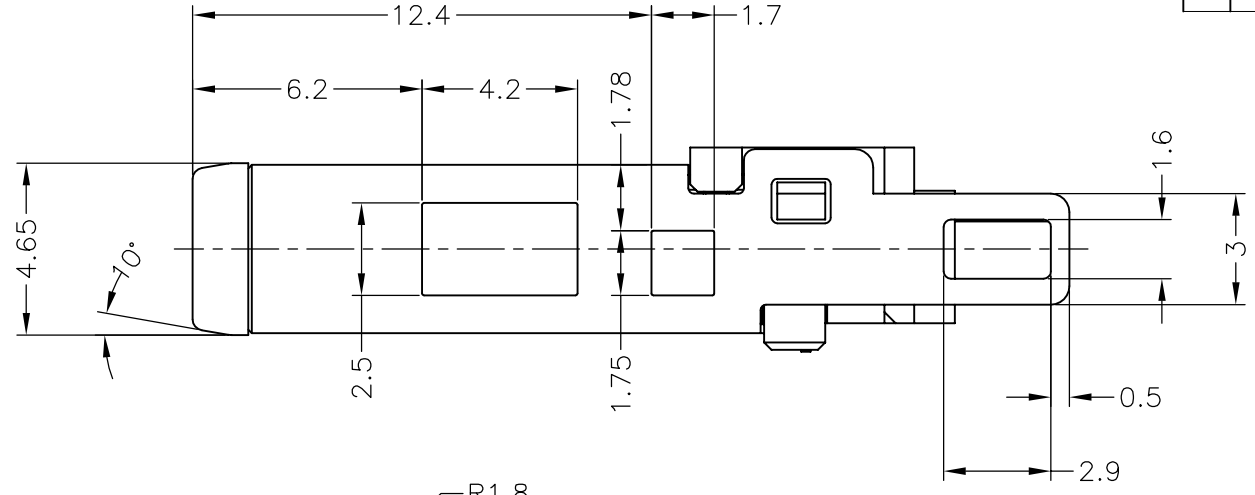
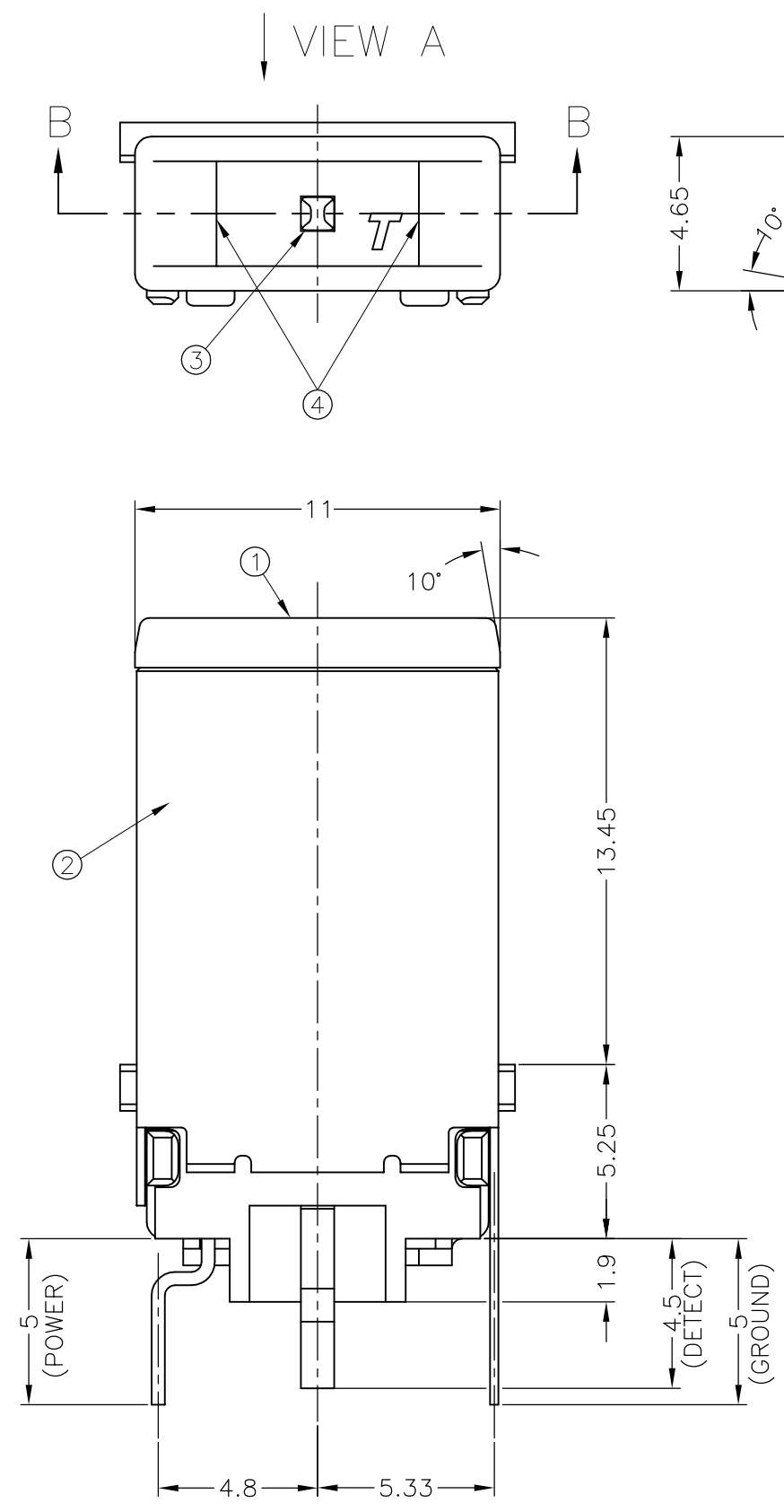


THIS DRAWING IS UNPUBLISHED. RELEASED FOR PUBLICATION
 © COPYRIGHT - By - ALL RIGHTS RESERVED.

LOC	DIST	REVISIONS					
DW		P	LTR	DESCRIPTION	DATE	DW	
		B5		ECR-19-010885	21AUG15	J.Z	J.L

D
C
B
A

D
C
B
A



B-B

A'SSY P/N							
1-2129334-2	1-2129334-1	2129334					
OBSELETE	1		NATURAL		THERMOPLASTIC (UL94V-0)	REAR HOUSING	⑤
	1		0.0002mm GOLD PLATING ON CONTACT AREA, 0.002mm MATTE TIN PLATING ON SOLDER AREA, 0.002mm MIN. NICKEL UNDERPLATED ALL OVER		COPPER ALLOY	POWER CONTACT	④
	1		0.0002mm GOLD PLATING ON CONTACT AREA, 0.002mm MATTE TIN PLATING ON SOLDER AREA, 0.002mm MIN. NICKEL UNDERPLATED ALL OVER		COPPER ALLOY	DETECT CONTACT	③
	1		0.002mm MATTE TIN PLATING ON SOLDER AREA, 0.002mm MIN. NICKEL UNDERPLATED ALL OVER		COPPER ALLOY	GROUND CONTACT	②
	1		BLACK		THERMOPLASTIC (UL94V-0)	HOUSING	①
	1		YELLOW		THERMOPLASTIC (UL94V-0)		
	Q'TY		FINISH/COLOR		MATERIAL	PART NAME	NO

THIS DRAWING IS A CONTROLLED DOCUMENT.

DWN S.HUANG 24FEB2012
 CHK V.PENG 24FEB2012
 APVD W.KODAMA 24FEB2012



DIMENSIONS: mm TOLERANCES UNLESS OTHERWISE SPECIFIED:

0 PLC	±	±0.25
1 PLC	±	
2 PLC	±	
3 PLC	±	
4 PLC	±	±3°
ANGLES	±	
FINISH	±	

MATERIAL SEE TABLE

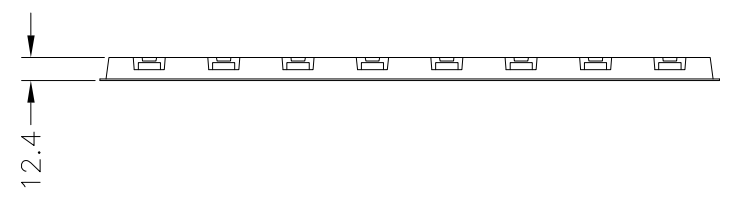
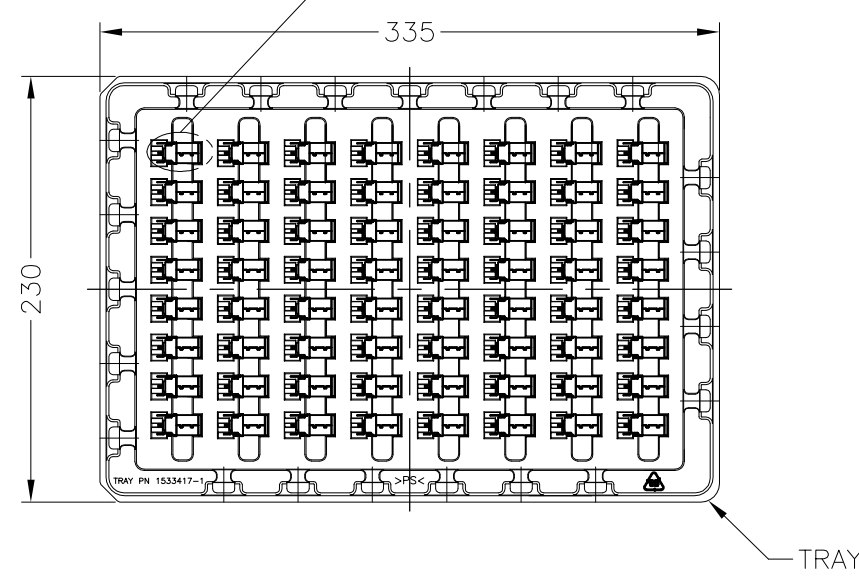
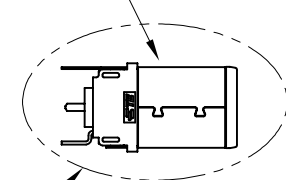
PRODUCT SPEC APPLICATION SPEC WEIGHT CUSTOMER DRAWING

NAME				DC POWER PLUG CONNECTOR	
SIZE	CAGE CODE	DRAWING NO	RESTRICTED TO		
A3	00779	C-2129334			
SCALE		SHEET	REV		
5:1		1 of 2	B5		

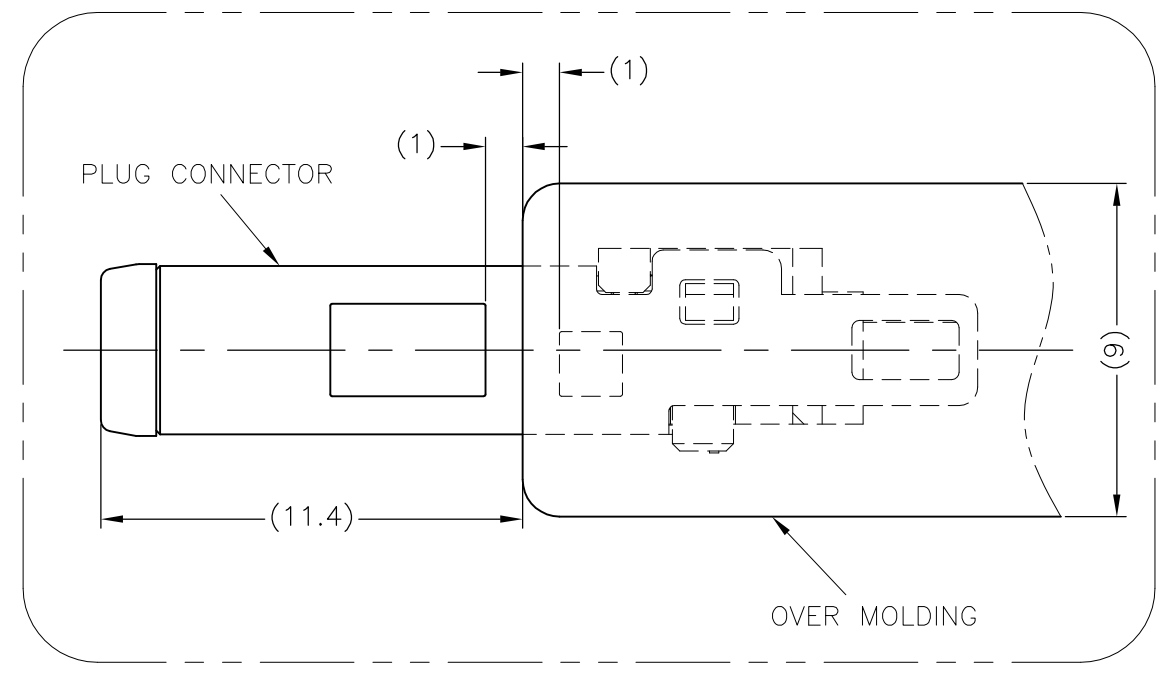
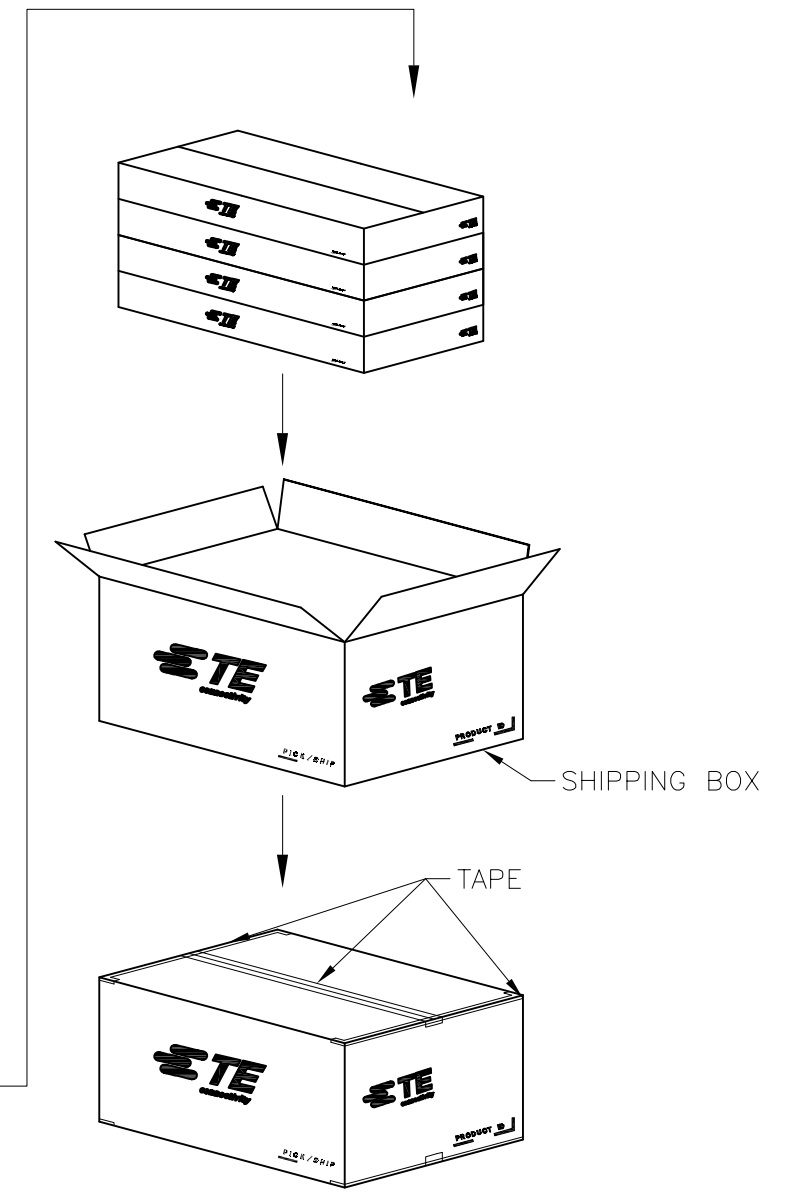
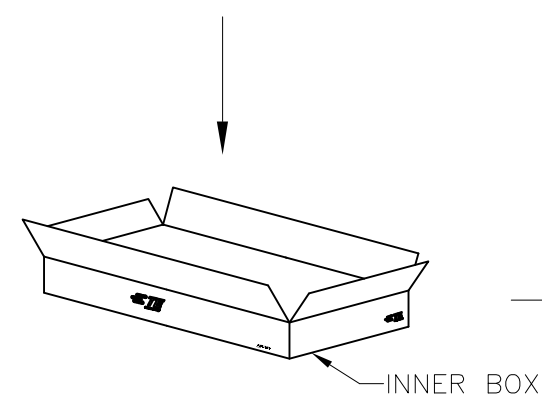
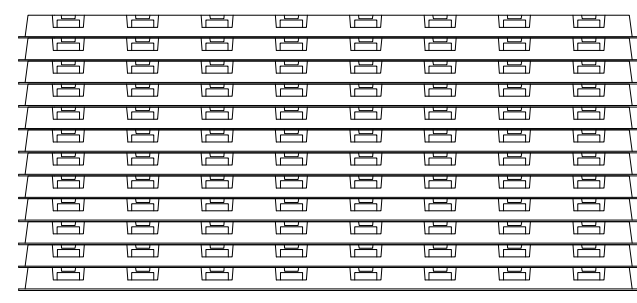
ING IS UNPUBLISHED. RELEASED FOR PUBLICATION
 GHT - By - ALL RIGHTS RESERVED.

LOC	DIST	REVISIONS		
DW		P	LTR	DESCRIPTION
		-	-	SEE SHEET 1
		DATE		
		-	-	-

DC POWER PLUG CONNECTOR
 TE P/N: 1-2129334-1
 OR 1-2129334-2



- INNER BOX DIMENSION: 340mmX243mmX111mm
 - SHIPPING BOX DIMENSION: 505mmX350mmX248mm
 - EU ROHS-RELATED RESTRICTED SUBSTANCE SPEC IN HOMOGENEOUS MATERIAL REFER TO TEC-138-702 REV.G:
 LEAD < 1000PPM, CADMIUM < 100PPM, MERCURY < 1000PPM
 CHROMIUM VI < 1000PPM, PBB <1000PPM, PBDE < 1000PPM
 - HALOGEN FREE SPEC:
 CHLORINE (Cl): 900 ppm MAX.
 BROMINE (Br): 900 ppm MAX.
 CHLORINE (Cl) + BROMINE (Br): 1500 ppm MAX.
- ⚠ PRODUCT SPEC:
 108-99035 FOR 7A CURRENT RATING.
 108-99040 FOR 10.7A CURRENT RATING.



64	768	4	3072
PCS/TRAY	PCS/INNER BOX	INNER BOX/SHIPPING BOX	TOTAL Q'TY

THIS DRAWING IS A CONTROLLED DOCUMENT.

DWN	TE Connectivity
CHK	
APVD	
PRODUCT SPEC	
APPLICATION SPEC	
WEIGHT	
CUSTOMER DRAWING	

DIMENSIONS: mm TOLERANCES UNLESS OTHERWISE SPECIFIED:

0 PLC	± -	±0.25
1 PLC	± -	
2 PLC	± -	
3 PLC	± -	
4 PLC	± -	±3°
ANGLES	± -	
FINISH		

MATERIAL: _____

NAME: DC POWER PLUG CONNECTOR

SIZE	CAGE CODE	DRAWING NO	RESTRICTED TO
A3	00779	C-2129334	

SCALE: NA SHEET: 2 of 2 REV: B5