

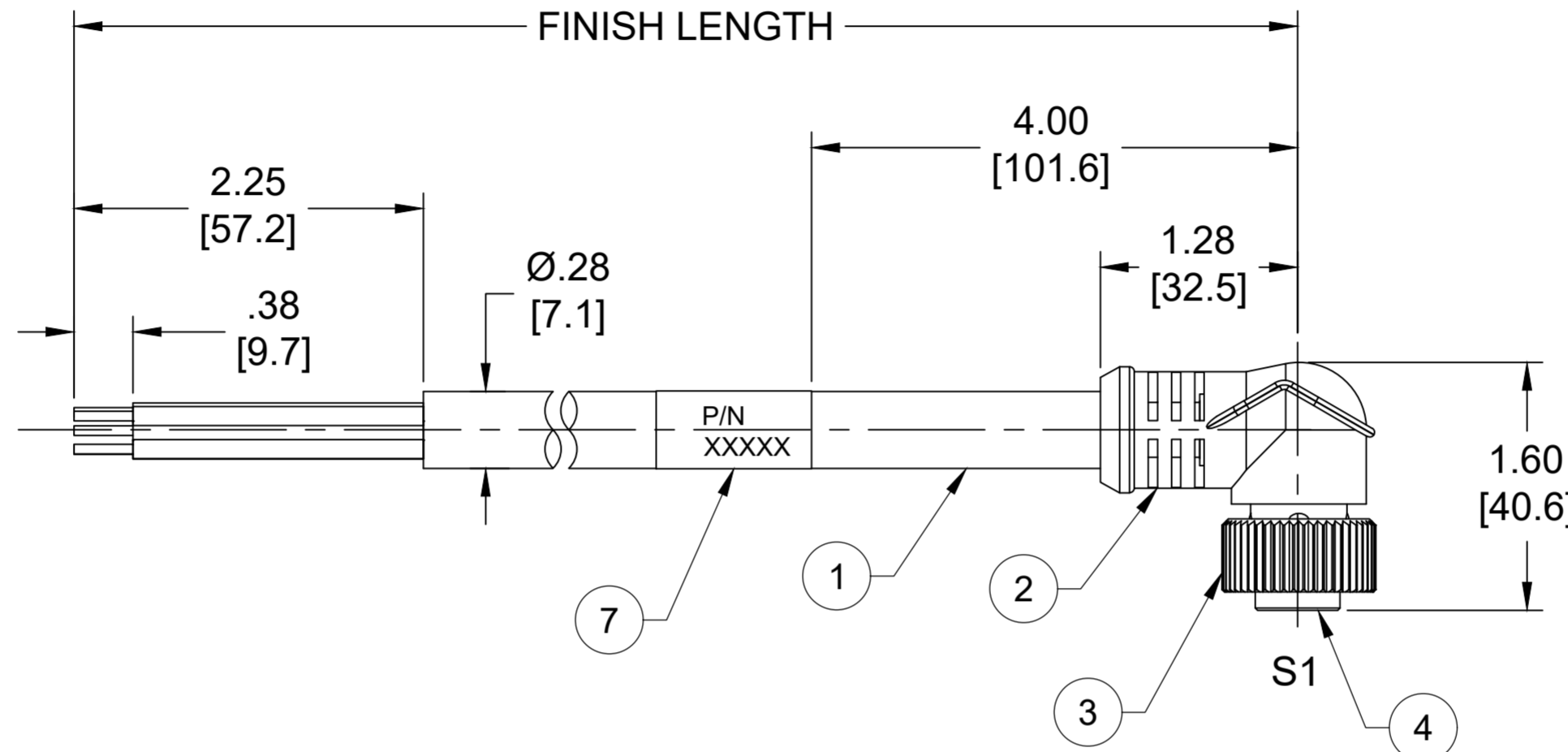
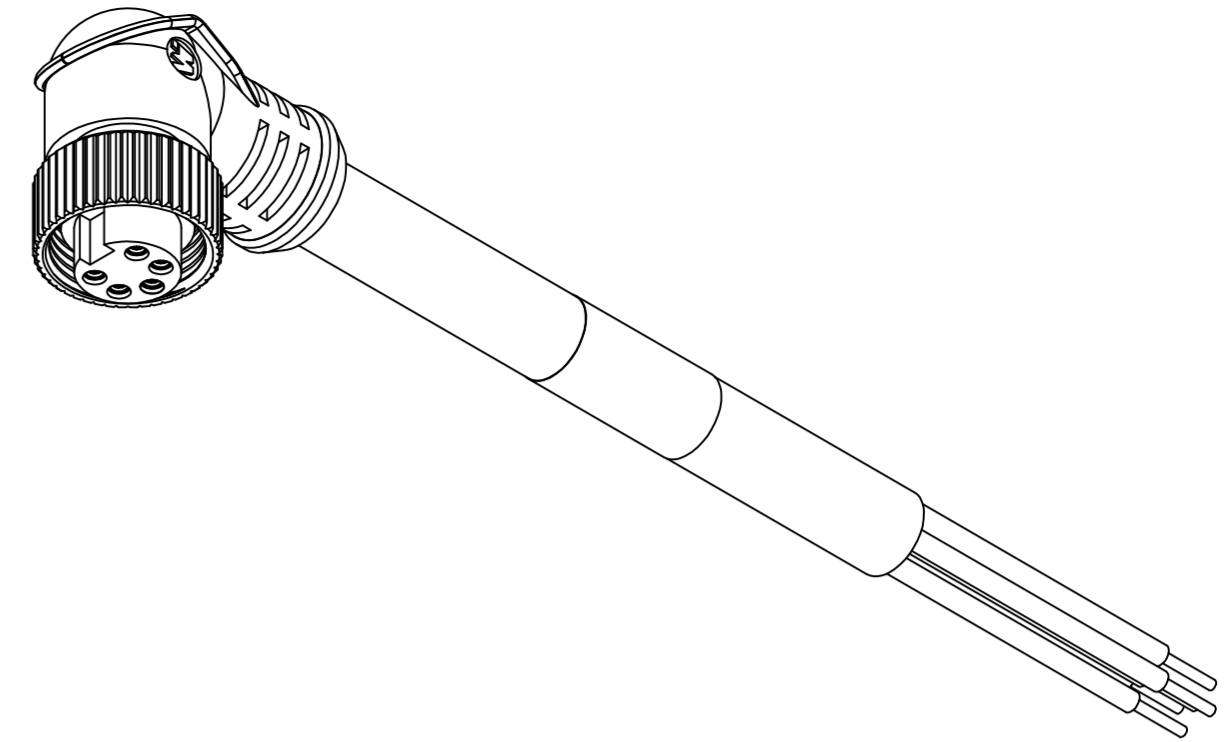
PART NO.	ENGINEERING NO.	FINISHED LENGTH
1300061402	105001A07M010	1M [3FT 3 IN]
1300061409	105001A07M050	5M [16FT 5 IN]
1300061413	105001A07M150	15M [49FT 3 IN]

(C)

PART NUMBER LEGEND

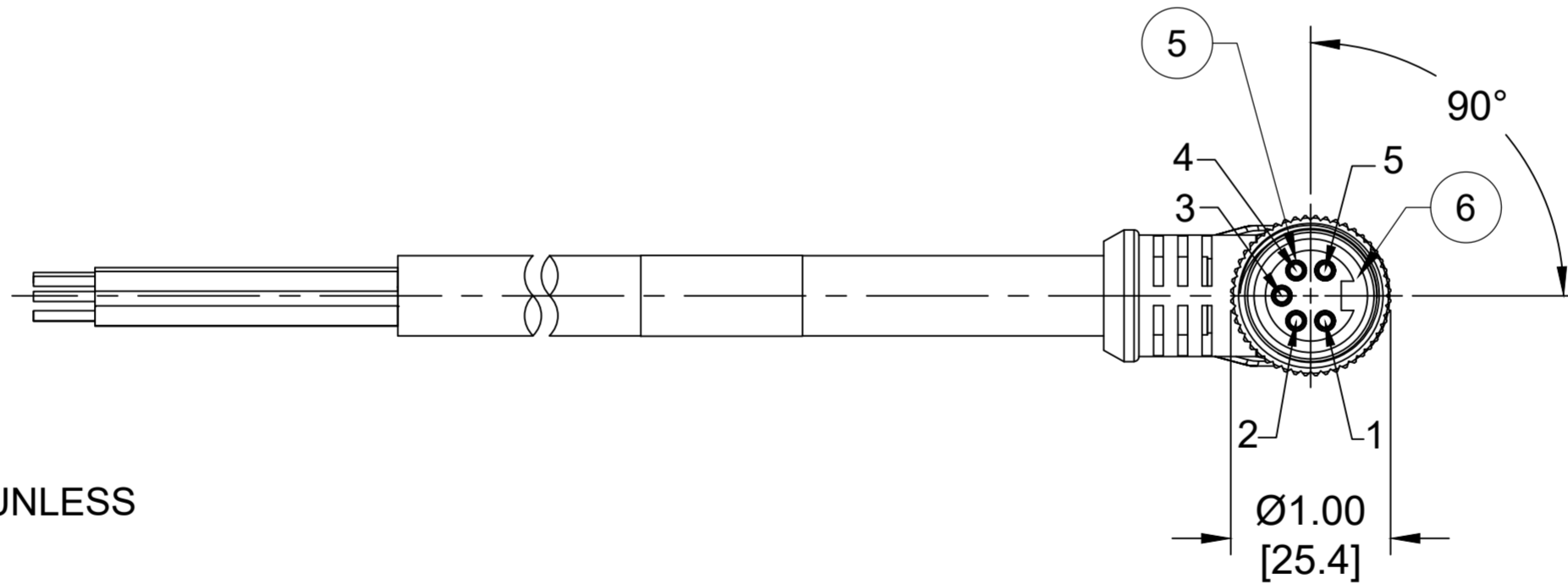
105001A07M010

CABLE LENGTH
M000 = 0.5 METER
M010 = 1 METER
M100 = 10 METER



NOTES:

- MATERIAL: AS NOTED
- FINISH: AS NOTED
- ELECTRICAL:
VOLTAGE : 300V
CURRENT: 4A
- TEMP RATING: -20° TO +105°C (C)
- PROTECTION: IP67 (WHEN MATED)
- COUPLING THREAD: 7/8"-16UN
- CSA CERTIFIED FILE: LR6837
- ALL DIMENSIONS ARE FOR REFERENCE UNLESS TOLERANCED OR NOTED OTHERWISE



FEMALE FACE VIEW

	S1
BLACK	1
BLUE	2
GREEN/YELLOW-GND	3
BROWN	4
WHITE	5

WIRING DIAGRAM

CABLE LENGTH TOLERANCES
<.3M [1FT]: +19mm-0 [+.75in-0]
.3 - .9M [1 - 3FT]: +44.5mm-0 [+1.75in-0]
.9 - 1.8M [3 - 6FT]: +55.6mm-0 [+2.19in-0]
1.8 - 3.7M [6 - 12FT]: +88.9mm-0 [+3.50in-0]
3.7 - 7.3M [12 - 24FT]: +165.1mm-0 [+6.50in-0]
7.3-14.6M [24 - 48FT]: +317.5mm-0 [+12.50in-0]
14.6 - 30.5M [48-100FT]: +622.3mm-0 [+24.50in-0]
OVER 30M [100FT] +2% OF FINISHED LENGTH

ITEM	COMPONENT	MATERIAL	FINISH
7	WRAP LABEL	VINYL	BLACK/YELLOW
6	FRICITION RING	NYLON	WHITE
5	CONTACT SOCKET	COPPER ALLOY	GOLD OVER NICKEL
4	INSERT	TPE	YELLOW
3	COUPLING NUT	ZINC DIE CAST	BLACK-E-COAT
2	OVERMOLD	TPE	YELLOW
1	CABLE, 20 AWG	PVC	YELLOW

(C)

(C)

(C)

FUNCTIONAL SYMBOLS	THIS DRAWING CONTAINS INFORMATION THAT IS PROPRIETARY TO MOLEX ELECTRONIC TECHNOLOGIES, LLC AND SHOULD NOT BE USED WITHOUT WRITTEN PERMISSION		
DIMENSION UNITS	INCH/MM	SCALE	NTS
GENERAL TOLERANCES (UNLESS SPECIFIED)	CURRENT REV DESC: ITEM# 2 & 4 WERE PVC. ADDED ITEM #6. MODIFIED TEMP RATING & PN CHART. REMOVED IEC & UL FROM NOTES.		
DIVISIONAL SYMBOLS	EC NO: 698916		
4 PLACES ±----	mm	INCH	DRWN: ABENJAMINLW 2021/05/21
3 PLACES ±----	DRWN: BWOODMAN 2022/03/09		
2 PLACES ±----	APP: BWOODMAN 2022/03/11		
1 PLACE ±----	INITIAL REVISION:		
0 PLACES ±----	DRWN: BWOODMAN 2009/12/30		
ANGULAR TOL ± --- °	APP: JFMURPHY 2010/01/08		
DRAFT WHERE APPLICABLE MUST REMAIN WITHIN DIMENSIONS	THIRD ANGLE PROJECTION	DRAWING	SERIES
		C-SIZE	130006
DOCUMENT NUMBER		DOC TYPE/DOC PART REVISION	
SD-130006-033		PSD 001 C	
MATERIAL NUMBER		CUSTOMER	
SEE CHART		GENERAL MARKET	
SHEET NUMBER		1 OF 1	