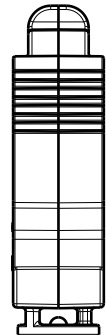
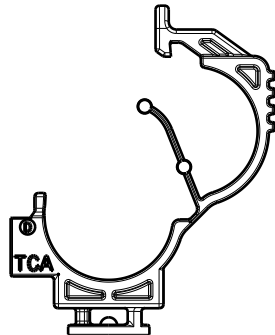
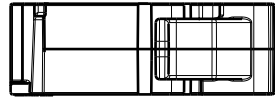
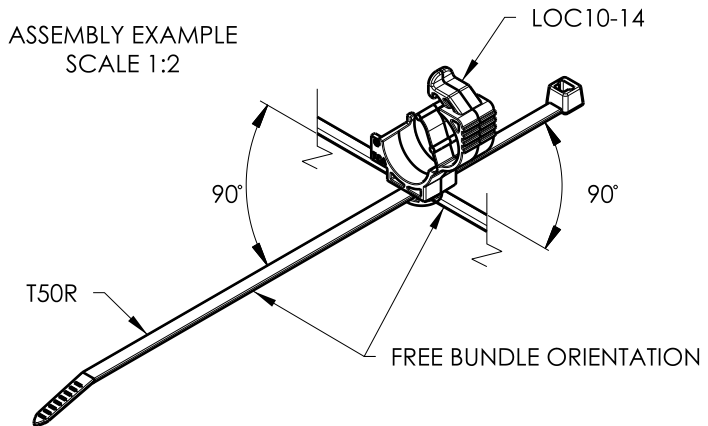


Revision Level			Revision Record	Changed	Date	Approved	Date
Drawing	State	Part					
01.2	Design Release	-	SEE ECN# 014514	KVH	08/02/18	CJR	08/03/18

LOC10-14
DELIVERY CONDITION: UNASSEMBLED SET



T50R
DELIVERY CONDITION: UNASSEMBLED SET



GLOBAL PART DESCRIPTION	BUNDLE RANGE	CABLE TIES			MOUNT		
		DRAWING	MATERIAL	COLOR	DRAWING	MATERIAL	COLOR
T50RLOC10-14-SET-PA66HS/PA66HIRHSUV-BK	5 TO 50	CT2050007CST	PA66HS	BLACK	11-0594-001-CSU	PA66HIRHSUV	BLACK

Material
SEE CHART
COLOR: SEE CHART

Units millimeters
Tolerance defined on each dimension

The copyright of this drawing is reserved by HellermannTyton. It is issued on condition that it is not reproduced, copied or disclosed to a third party, either wholly or in part, without the consent of HellermannTyton.

Drawn KVH 10/15/12
Approved SJA 10/15/12
HellermannTyton
North America
Email: corp@htamericas.com
Web: www.hellermann.tyton.com

Article/Type-No T50RLOC10-14-SET
Title LOCKING OMEGA CLIP (10-14mm BUNDLE) WITH T50R CABLE TIE
Drawing-No PRODUCTION : Phase
11-0594-111-CSU

Scale 1:1
Project Number 11-0594
Format AH
Sheet 1/1