

NOTES:

1. MATERIAL:

CAGE ASSEMBLY: NICKEL SILVER, 0.25mm THICK
 THERMAL ASSEMBLY: ALUMINUM/COPPER ALLOY
 EMI STRAPS: PHOS-BRONZE
 LIGHT PIPES: POLYCARBONATE (OPTIONAL)
 CONNECTOR HOUSING: HIGH TEMPERATURE THERMOPLASTIC
 TERMINALS: COPPER ALLOY

2. FINISH:

CAGE ASSEMBLY: UNPLATED
 THERMAL ASSEMBLY: NICKEL PLATE
 EMI STRAPS: 0.5 um NICKEL OVERALL
 TERMINALS: CONTACT AREA: 0.76 um Min. HARD GOLD OVER NICKEL UNDERPLATE.
 COMPLIANT TAIL: 0.7-1.5 um MATTE TIN OVER NICKEL UNDERPLATE.

3. REFER TO PK-171233-0001 FOR ALL PACKAGING SPECIFICATIONS.

4. REFER TO ROUTING INFORMATION ON AS-171233-0002.

5. REFER TO PS-171565-0001 FOR ALL ELECTRICAL, MECHANICAL, ENVIRONMENTAL SPECIFICATIONS.

6. ALL VISIBLE CAGE EXTERIOR SURFACES TO BE CLASS "B", EXCEPT FOR THE UNDERSIDE OF THE CAGE AND SHOULD CONFORM TO THE MOLEX COSMETIC STANDARD ES-171233-0001. ALL REMAINING SURFACES TO BE CLASS C EXCEPT FOR THE FRONT OF THE MIDSECTION EMI SPRING FINGERS WHICH ARE A CLASS A SURFACE. SEE THE HEAT SINK SECTION FOR ITS CORRESPONDING REQUIREMENTS.

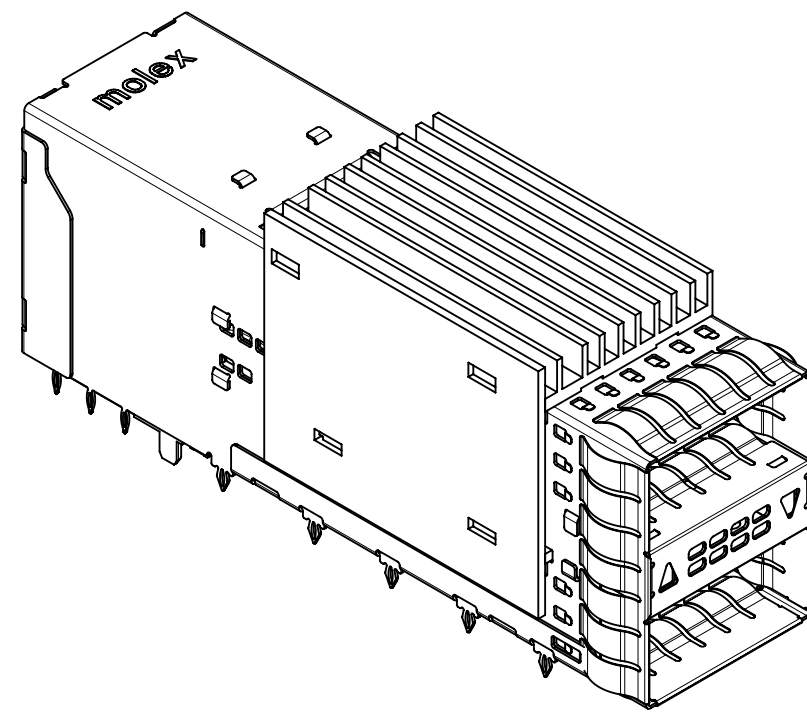
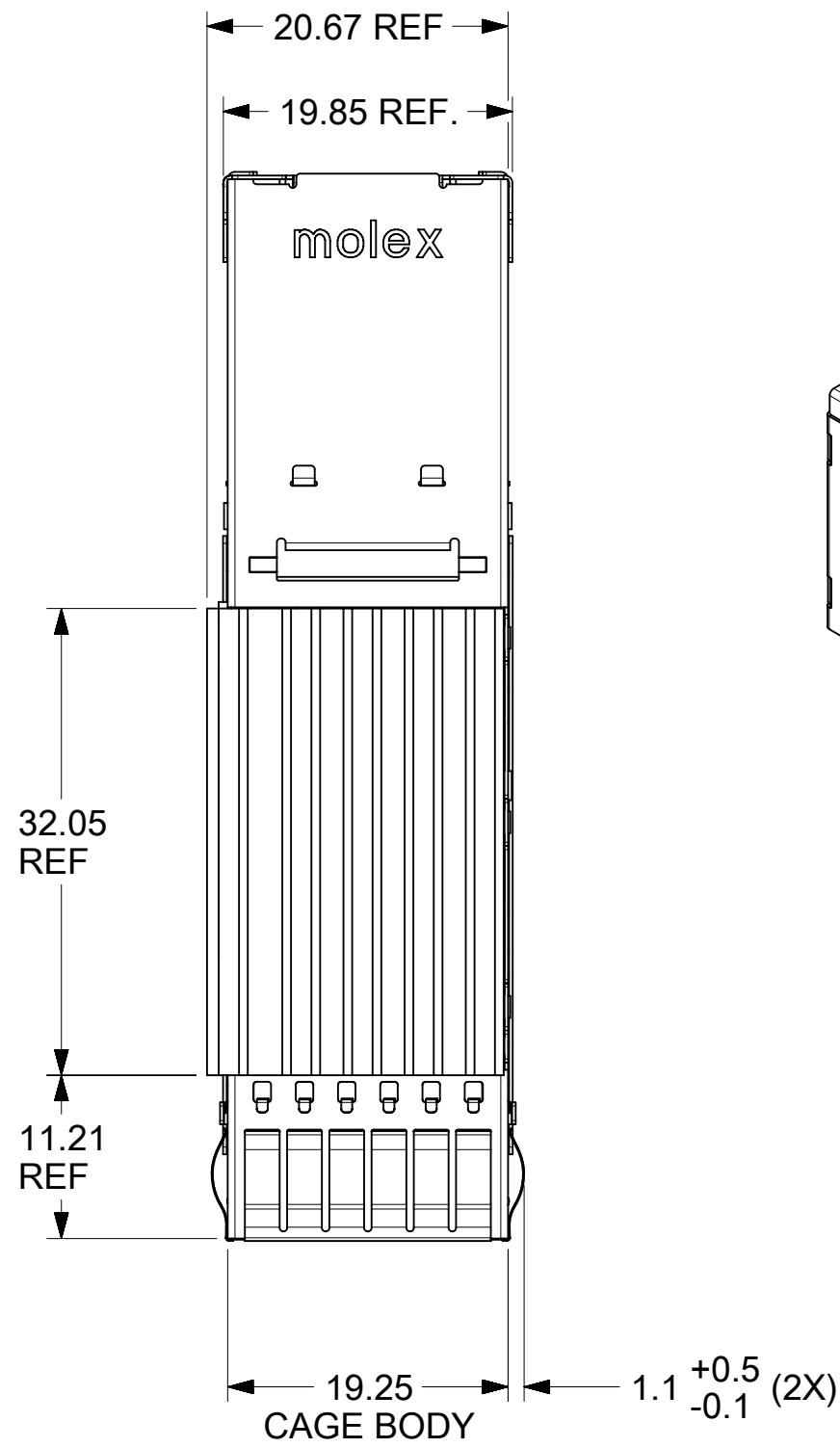
7. CONNECTOR MATES WITH PLUG CABLE SERIES 74757 AND 74758

8. DATE CODE LOCATION. DATE CODE FORMAT: LDDDYX

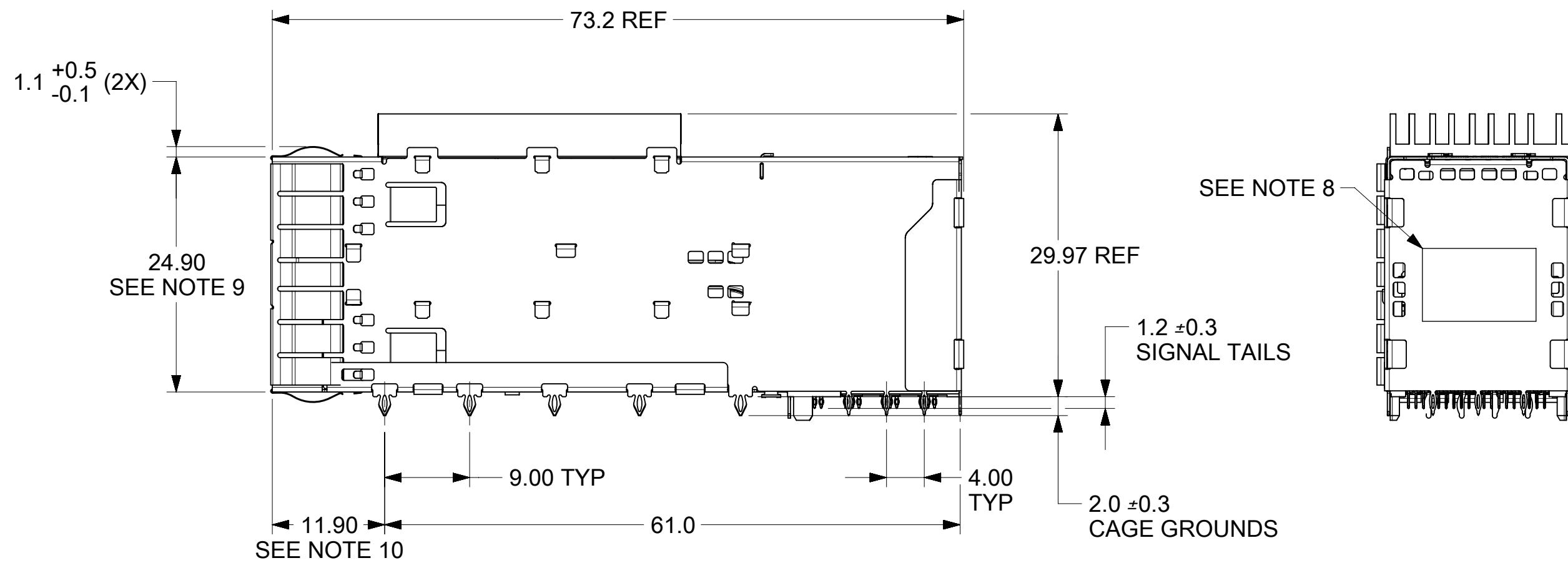
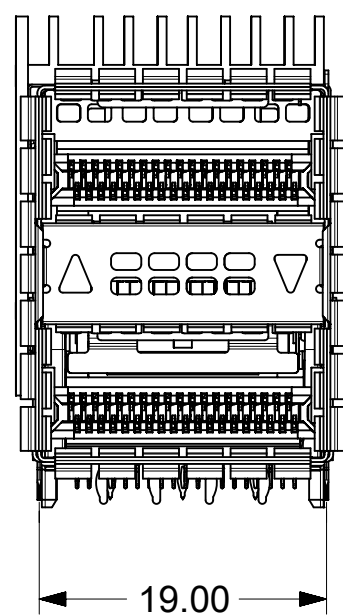
L: MOLEX INTERNAL CONTROL
 DDD: DAY OF THE YEAR
 Y: LAST DIGIT OF YEAR
 X: MOLEX INTERNAL CONTROL

9. MEASURED FROM THE TOP OF THE TOP COVER TO THE BOTTOM OF THE CAGE BASE.

10. MEASURED FROM FRONT OF TOP COVER.



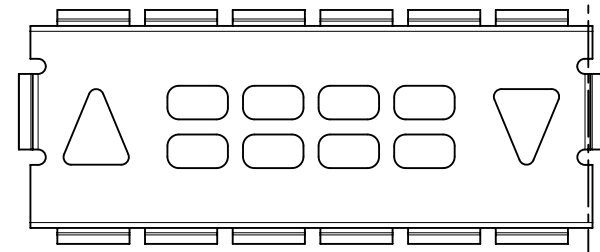
SHOWN WITH EMI GASKET



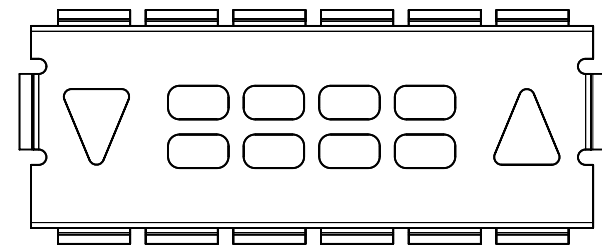
THIS DRAWING CONTAINS INFORMATION THAT IS PROPRIETARY TO MOLEX ELECTRONIC TECHNOLOGIES, LLC AND SHOULD NOT BE USED WITHOUT WRITTEN PERMISSION

DIMENSION UNITS		SCALE		CURRENT REV / DESC: SEE REVISION HISTORY				
mm		2:1						
GENERAL TOLERANCES (UNLESS SPECIFIED)				EC NO: 614783		ZQSFP 2X1 SPRING FINGER STANDARD LENGTH TMC LOW PROFILE ASSEMBLY		
				DRWN: ABABU01 2019/02/13				
4 PLACES ±				CHK'D: RNELSON 2019/04/11		PRODUCT CUSTOMER DRAWING		
3 PLACES ±				APPR: RNELSON 2019/04/11				
2 PLACES ± 0.13				INITIAL REVISION:		DOCUMENT NUMBER: SD-170879-4000 DOC TYPE: PSD DOC PART: 001 REVISION: A		
1 PLACE ± 0.25				DRWN: HAVERY 2014/11/06				
0 PLACES ±				APPR: HAVERY 2014/11/06		MATERIAL NUMBER: SEE CHART CUSTOMER: GENERAL MARKET SHEET NUMBER: 1 OF 5		
ANGULAR TOL ± 0.5°				THIRD ANGLE PROJECTION				
DRAFT WHERE APPLICABLE MUST REMAIN WITHIN DIMENSIONS				DRAWING: C-SIZE				

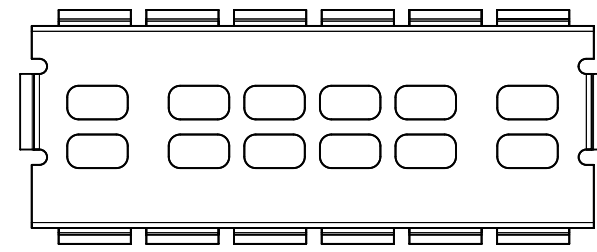
PART NUMBER	DESCRIPTION	PLATING
1708794001	LEFT UPPER PORT ARROW	TIN
1708794002	LEFT LOWER PORT ARROW	TIN
1708794003	NO LIGHT PIPES	TIN



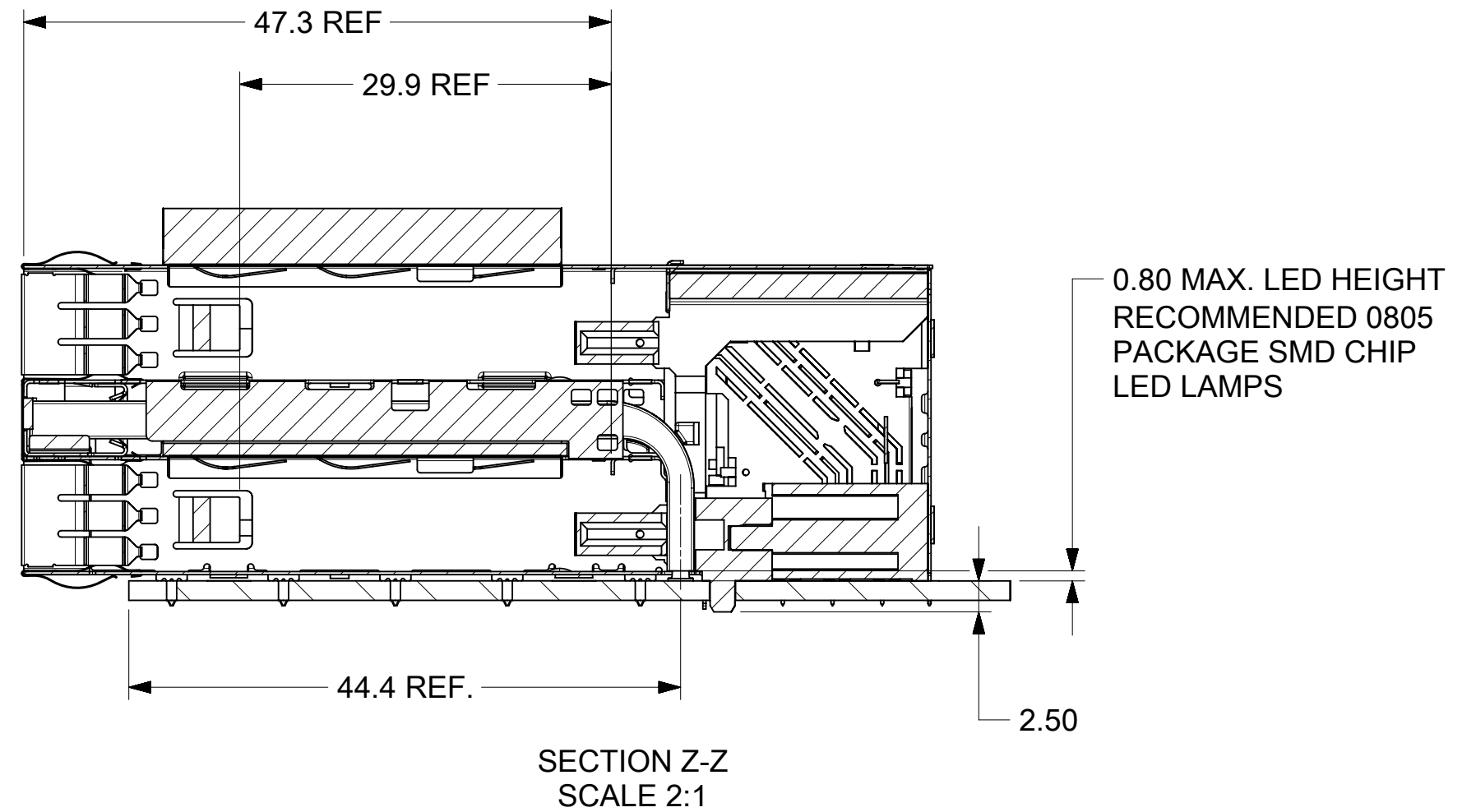
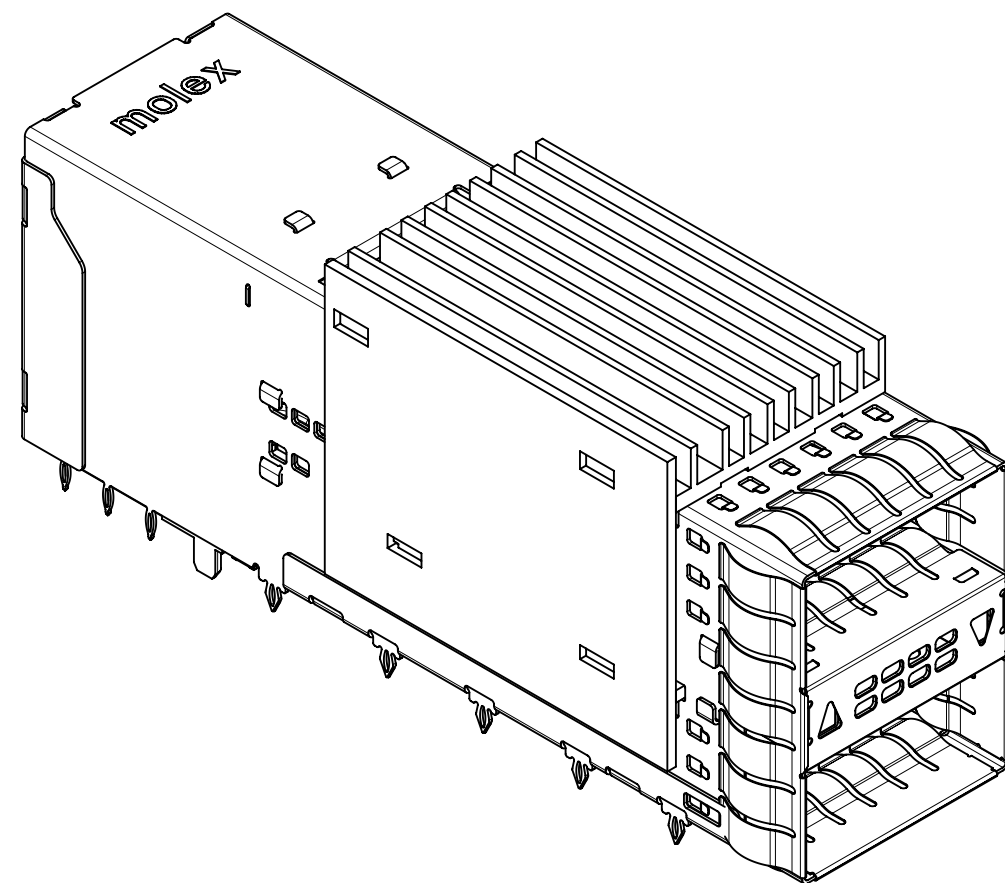
P/N: 1708794001
LEFT UPPER PORT
INDICATOR LIGHT PIPE



P/N: 1708794002
LEFT LOWER PORT
INDICATOR LIGHT PIPE

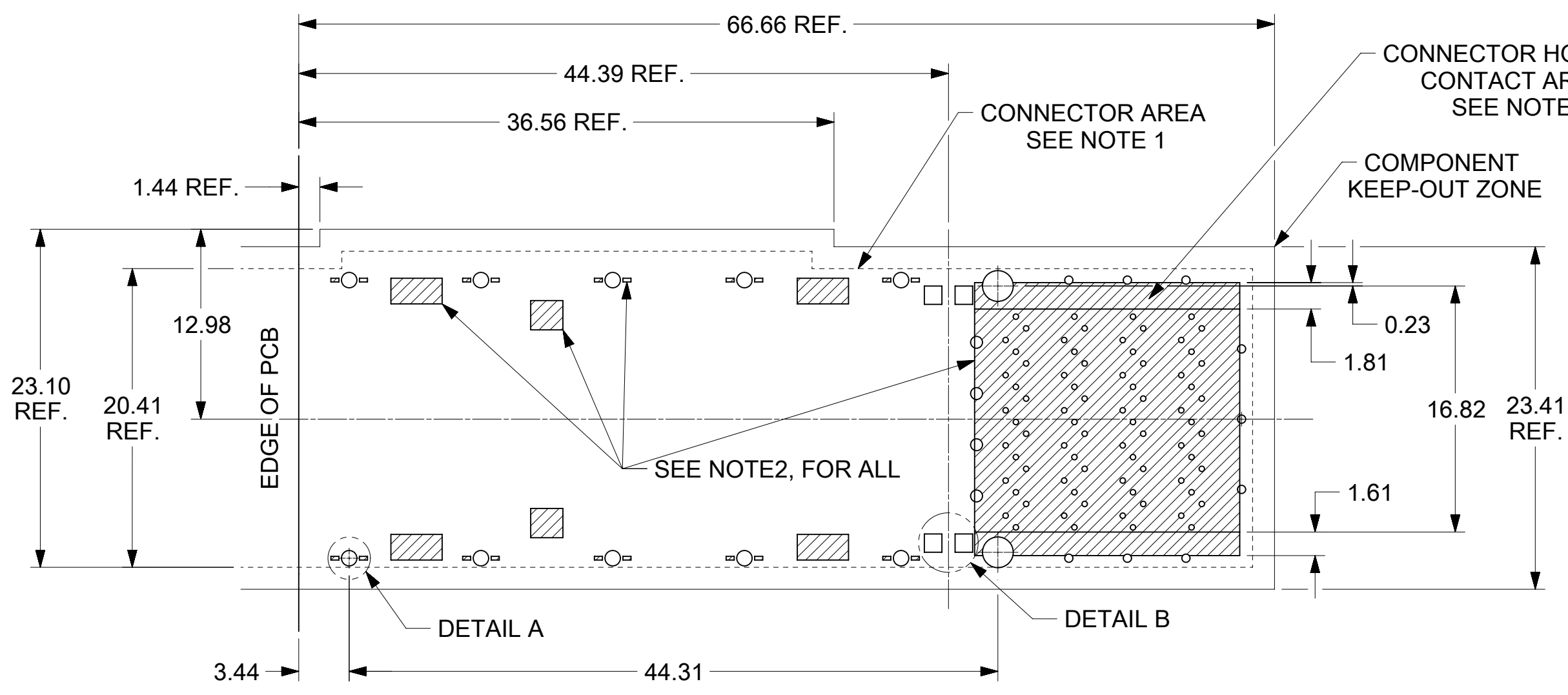


P/N: 1708794003
RECTANGLE VENT HOLES
NO LIGHT PIPES

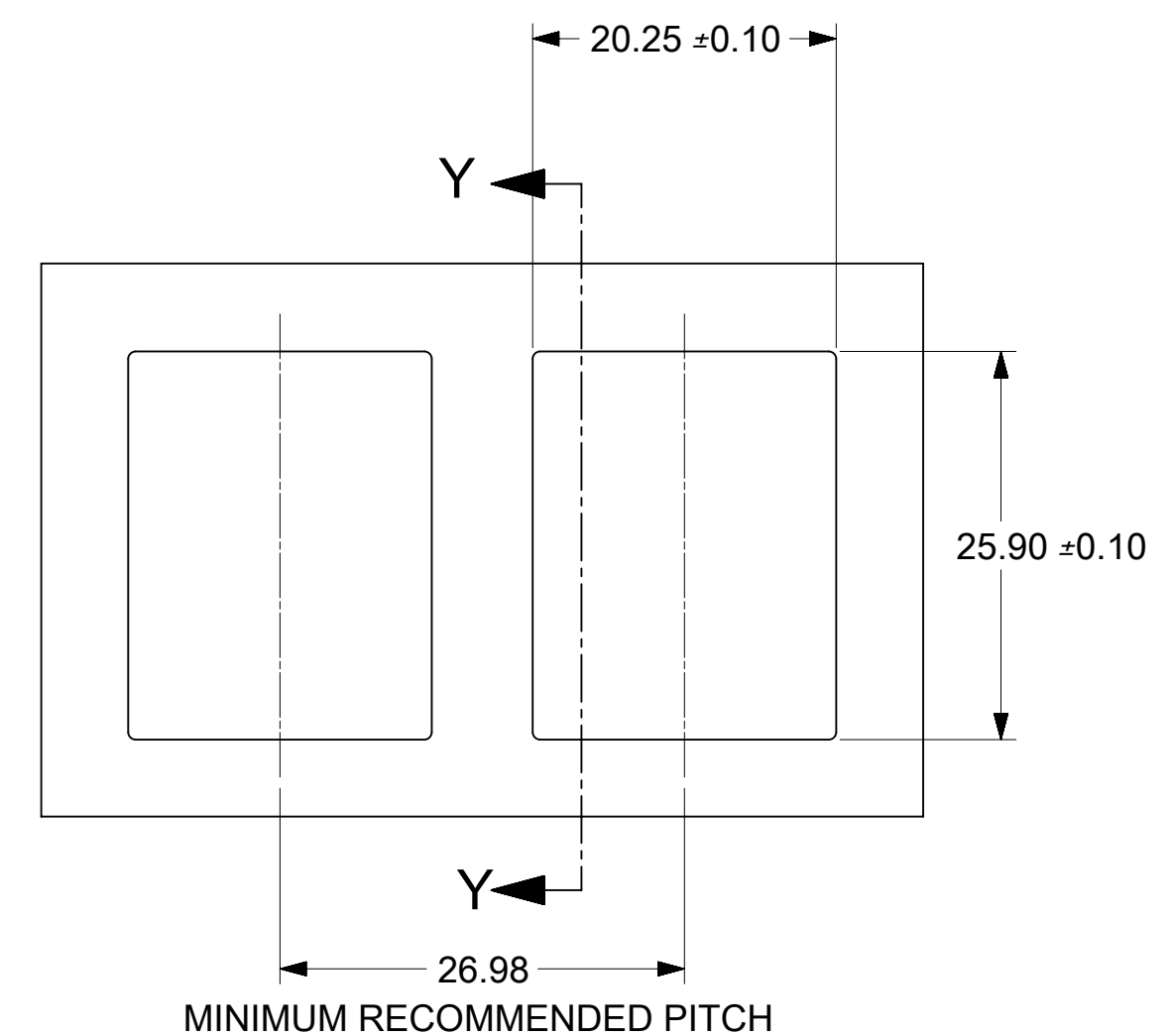


THIS DRAWING CONTAINS INFORMATION THAT IS PROPRIETARY TO MOLEX ELECTRONIC TECHNOLOGIES, LLC AND SHOULD NOT BE USED WITHOUT WRITTEN PERMISSION

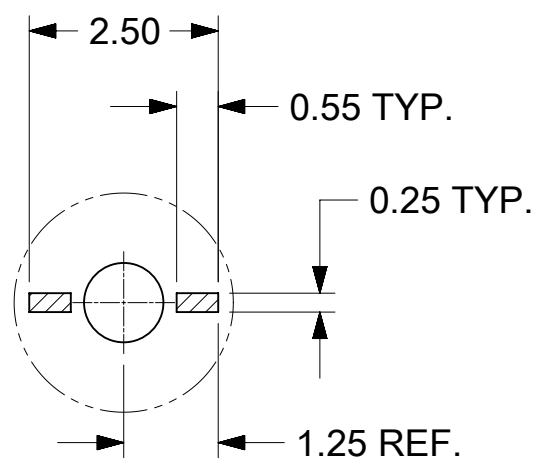
DIMENSION UNITS		SCALE		CURRENT REV DESC: SEE REVISION HISTORY								
mm		4:1										
GENERAL TOLERANCES (UNLESS SPECIFIED)				EC NO: 614783				ZQSFP 2X1 SPRING FINGER				
				DRWN: ABABU01				STANDARD LENGTH TMC LOW PROFILE ASSEMBLY				
4 PLACES ±				2019/02/13								
3 PLACES ±				2019/04/11								
2 PLACES ± 0.13				2019/04/11				PRODUCT CUSTOMER DRAWING				
1 PLACE ± 0.25				INITIAL REVISION:				DOCUMENT NUMBER				
0 PLACES ±				2014/11/06				SD-170879-4000		DOC TYPE	DOC PART	REVISION
ANGULAR TOL ± 0.5°				2014/11/06				MATERIAL NUMBER		CUSTOMER	SHEET NUMBER	
DRAFT WHERE APPLICABLE MUST REMAIN WITHIN DIMENSIONS				THIRD ANGLE PROJECTION		DRAWING		SERIES		SEE CHART		
				C-SIZE		170879		GENERAL MARKET		2 OF 5		



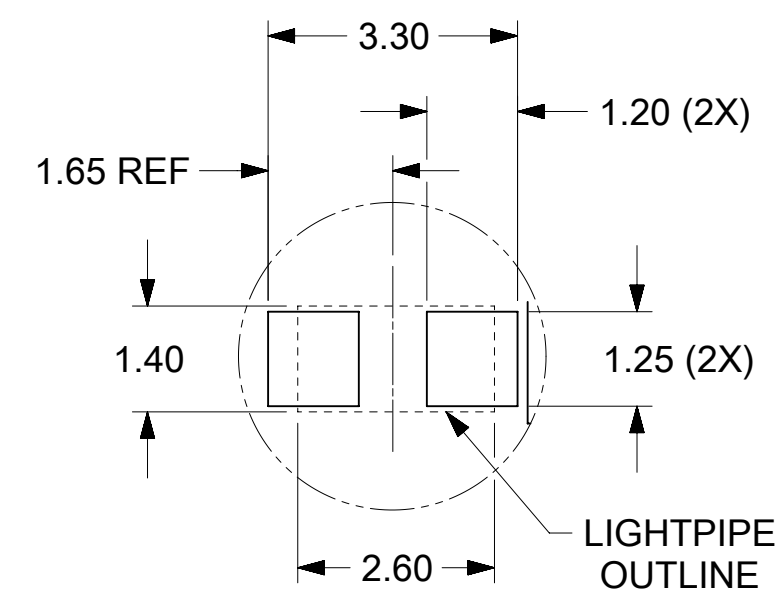
KEEP-OUT AREAS SHOWN BY CROSS HATCH COMPONENT SIDE



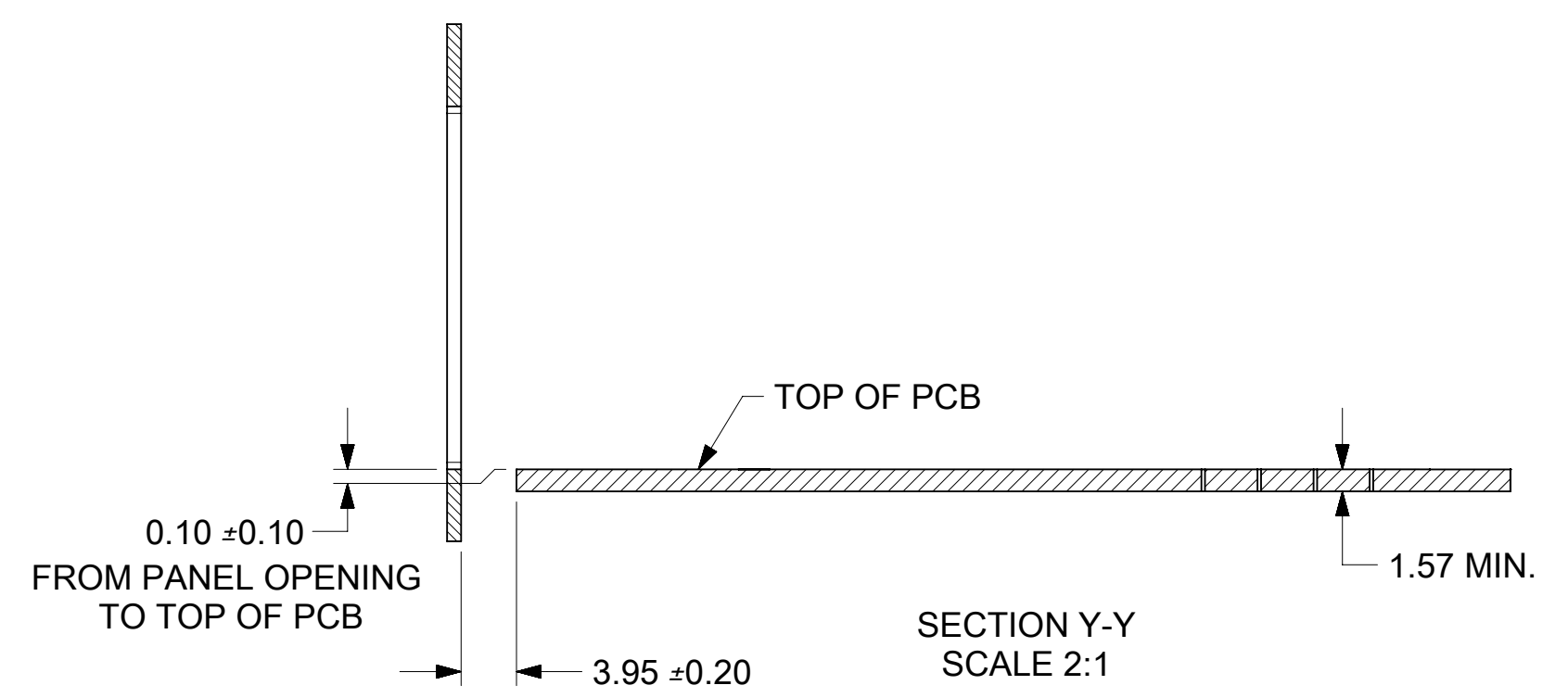
RECOMMENDED PANEL CUT-OUT SCALE 2:1



DETAIL A SCALE 10:1 (10 PLACES)



DETAIL B SCALE 10:1 LED PADS (2 PLACES)

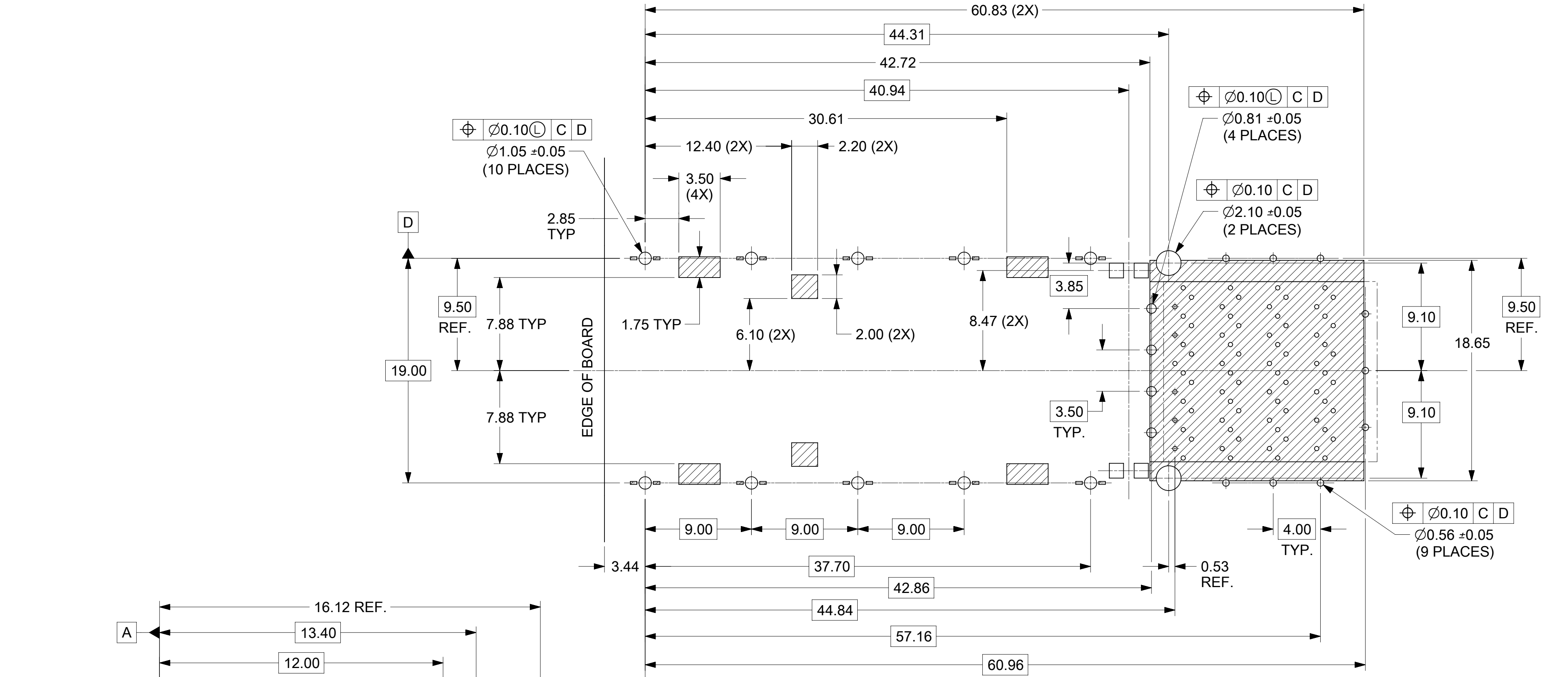


RECOMMENDED PANEL OPENING LOCATION FROM TOP OF PCB

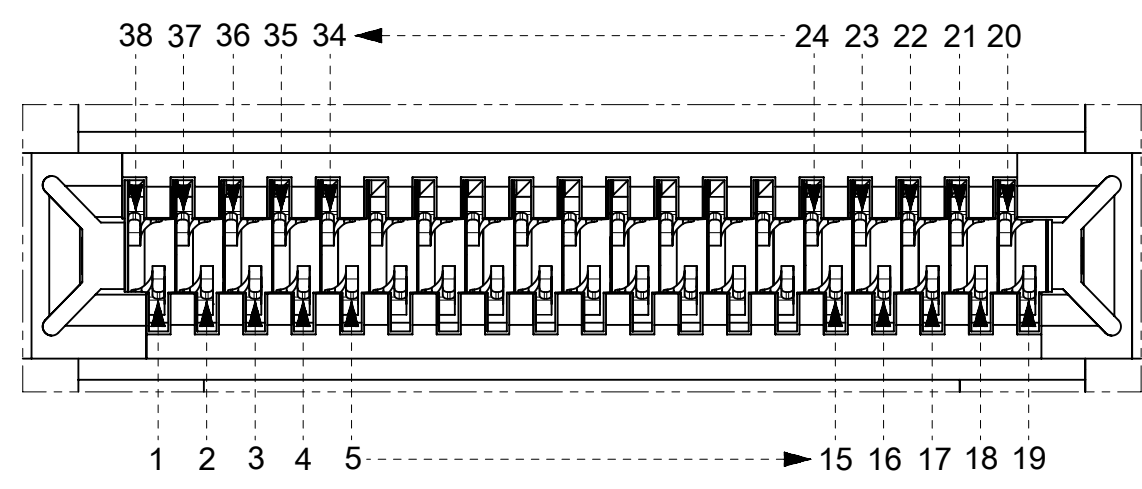
NOTES:

1. THE ENTIRE AREA UNDER THE CONNECTOR IS A KEEP OUT ZONE FOR COMPONENTS AND TRACES, TOP LAYER ONLY, EXCEPT FOR CHASSIS GROUND.
2. CROSS-HATCHED AREAS INDICATE PLACES WHERE THE PLASTIC HOUSING AND METAL CAGE MAY CONTACT PCB SURFACE. THESE AREAS ARE KEEP OUT ZONES. CROSS-HATCHED AREA UNDER THE CONNECTOR ARE TRACE AND VIA KEEP OUT AREAS FOR ALL LAYERS.
3. LED KEEP-IN ZONE DEFINES THE PHYSICAL SPACE ALLOWED FOR PLACEMENT OF SMD CHIP STYLE LED PACKAGING. KEEP-IN ZONE EXTENDS VERTICALLY TO 0.80mm ABOVE THE TOP SIDE OF BOARD.

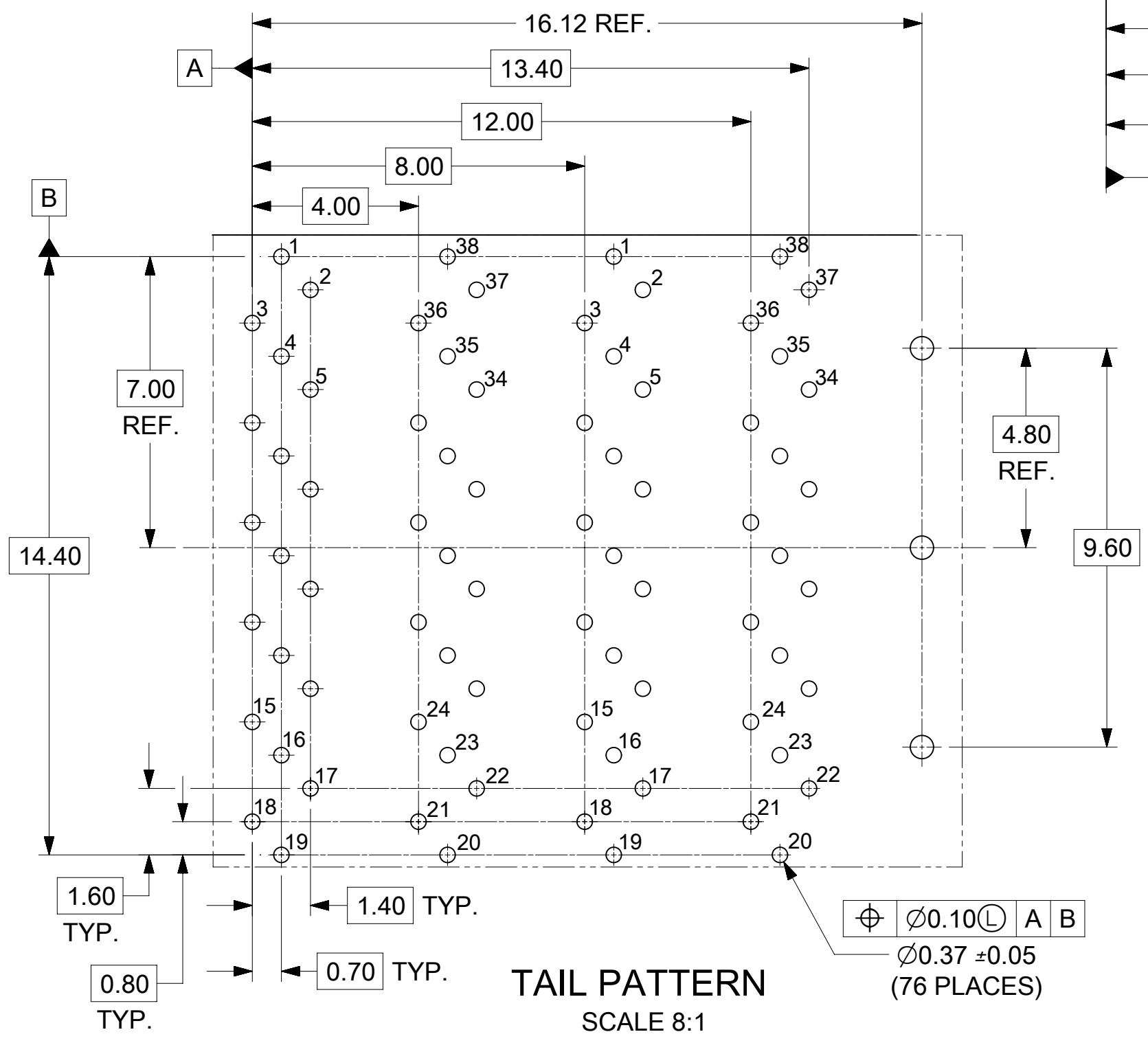
THIS DRAWING CONTAINS INFORMATION THAT IS PROPRIETARY TO MOLEX ELECTRONIC TECHNOLOGIES, LLC AND SHOULD NOT BE USED WITHOUT WRITTEN PERMISSION															
DIMENSION UNITS		SCALE		CURRENT REV / DESC: SEE REVISION HISTORY											
mm		3:1		<p>molex</p> <p>ZQSFP 2X1 SPRING FINGER STANDARD LENGTH TMC LOW PROFILE ASSEMBLY</p> <p>PRODUCT CUSTOMER DRAWING</p> <p>DOCUMENT NUMBER: SD-170879-4000 DOC TYPE: PSD DOC PART: 001 REVISION: A</p> <p>MATERIAL NUMBER: SEE CHART CUSTOMER: GENERAL MARKET SHEET NUMBER: 3 OF 5</p>											
GENERAL TOLERANCES (UNLESS SPECIFIED)										EC NO: 614783		DRWN: ABABU01		2019/02/13	
4 PLACES		±								CHK'D: RNELSON		2019/04/11			
3 PLACES		±								APPR: RNELSON		2019/04/11			
2 PLACES		± 0.13								INITIAL REVISION:		2014/11/06			
1 PLACE		± 0.25		DRWN: HAVERY		2014/11/06									
0 PLACES		±		APPR: HAVERY		2014/11/06									
ANGULAR TOL ± 0.5°				THIRD ANGLE PROJECTION		DRAWING		SERIES							
DRAFT WHERE APPLICABLE MUST REMAIN WITHIN DIMENSIONS				C-SIZE		170879									



RECOMMENDED PCB LAYOUT - COMPONENT SIDE SHOWN
 CROSS-HATCH AREAS INDICATE KEEP-OUT ZONES



PIN-OUT TYPICAL FOR BOTH PORTS
 SCALE 8:1



TAIL PATTERN
 SCALE 8:1

THIS DRAWING CONTAINS INFORMATION THAT IS PROPRIETARY TO MOLEX ELECTRONIC TECHNOLOGIES, LLC AND SHOULD NOT BE USED WITHOUT WRITTEN PERMISSION									
DIMENSION UNITS		SCALE		CURRENT REV DESC: SEE REVISION HISTORY					
mm		4:1							
GENERAL TOLERANCES (UNLESS SPECIFIED)				EC NO: 614783					
		MM	INCH	DRWN: ABABU01		2019/02/13			
4 PLACES		±	±	CHK'D: RNELSON		2019/04/11			
3 PLACES		±	±	APPR: RNELSON		2019/04/11			
2 PLACES		±	0.13	INITIAL REVISION:					
1 PLACE		±	0.25	DRWN: HAVERY		2014/11/06			
0 PLACES		±	±	APPR: HAVERY		2014/11/06			
ANGULAR TOL ± 0.5°				THIRD ANGLE PROJECTION		DRAWING		SERIES	
DRAFT WHERE APPLICABLE MUST REMAIN WITHIN DIMENSIONS				C-SIZE		170879		MATERIAL NUMBER	
				C-SIZE		170879		CUSTOMER	
				C-SIZE		170879		GENERAL MARKET	
				C-SIZE		170879		SHEET NUMBER	
				C-SIZE		170879		4 OF 5	



ZQSFP 2X1 SPRING FINGER
 STANDARD LENGTH TMC LOW PROFILE ASSEMBLY

PRODUCT CUSTOMER DRAWING


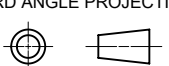
DOCUMENT NUMBER	DOC TYPE	DOC PART	REVISION
SD-170879-4000	PSD	001	A

MATERIAL NUMBER	CUSTOMER	SHEET NUMBER
SEE CHART	GENERAL MARKET	4 OF 5

H
G
F
E
D
C
B
A

H
G
F
E
D
C
B
A

REVISION HISTORY		
DATE	REV.	DESCRIPTION
2019/02/15	A	1.REMASTERED FROM SD-170879-4000 REV.3 FROM MM INTO ECTR. 2.ADDED REVISION HISTORY 3.UPDATE PK SPEC TO PK-171233-0001 IN NOTE3, SHEET1.
		4.UPDATE NOTE2 FOR PLATING THICKNESS, SHEET1. 5.UPDATE KEEP-OUT ZONE AND VERBIAGE IN NOTE 1&2, SHEET3.
		6.UPDATE NOTE8, SHEET1 FOR DATE CODE FORMAT TO LDDYX, WAS DDDY.

THIS DRAWING CONTAINS INFORMATION THAT IS PROPRIETARY TO MOLEX ELECTRONIC TECHNOLOGIES, LLC AND SHOULD NOT BE USED WITHOUT WRITTEN PERMISSION									
DIMENSION UNITS	SCALE	CURRENT REV DESC: SEE REVISION HISTORY							
mm	1:1	HISTORY							
GENERAL TOLERANCES (UNLESS SPECIFIED)		EC NO: 614783			ZQSFP 2X1 SPRING FINGER				
ANGULAR TOL	± 0.5°	DRWN: ABABU01 2019/02/13			STANDARD LENGTH TMC LOW PROFILE ASSEMBLY				
4 PLACES	±	CHK'D: RNELSON 2019/04/11			PRODUCT CUSTOMER DRAWING				
3 PLACES	±	APPR: RNELSON 2019/04/11			DOCUMENT NUMBER				
2 PLACES	± 0.13	INITIAL REVISION:			SD-170879-4000				
1 PLACE	± 0.25	DRWN: HAVERY 2014/11/06			DOC TYPE		DOC PART		REVISION
0 PLACES	±	APPR: HAVERY 2014/11/06			PSD		001		A
DRAFT WHERE APPLICABLE MUST REMAIN WITHIN DIMENSIONS	THIRD ANGLE PROJECTION	DRAWING	SERIES	MATERIAL NUMBER	CUSTOMER			SHEET NUMBER	
		C-SIZE	170879		GENERAL MARKET			5 OF 5	

DOCUMENT STATUS	P1	RELEASE DATE	2019/04/11 02:20:27
-----------------	----	--------------	---------------------