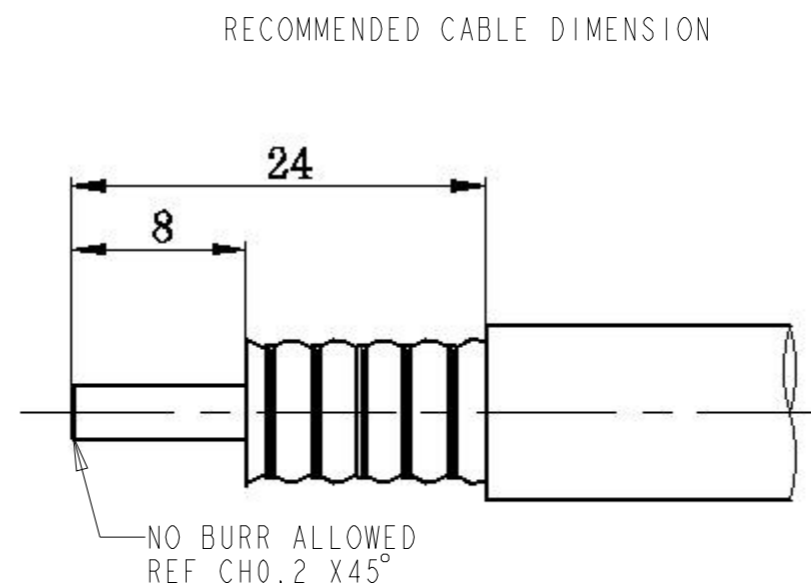
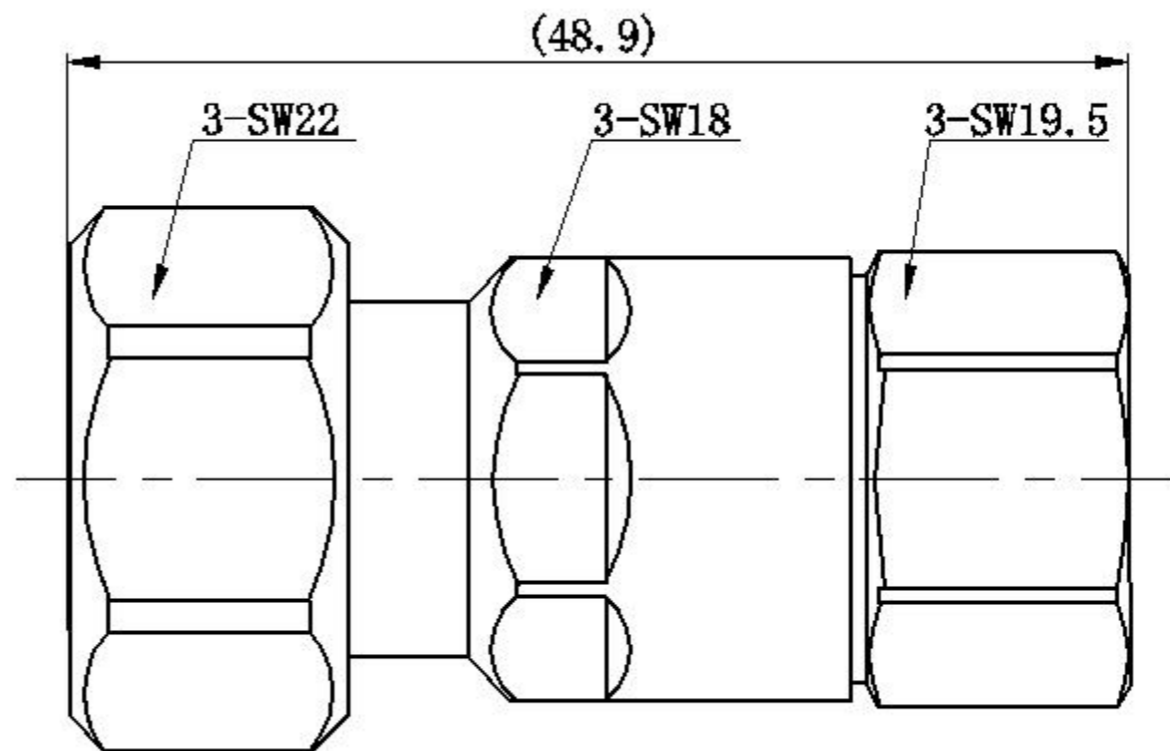


ELECTRICAL	
IMPEDANCE	50 Ohm
FREQUENCY RANGE	DC to 6GHz
INSERTION LOSS:	Max. 0.05*SQRT(F) dB
VSWR:	Max. 1.15@0-3GHz Max. 1.20@3-6GHz
DIELECTRIC WITHSTAND VOLTAGE:	Max. 2500 V RMS
INSULATION RESISTANCE	Min. 5000 Mohms
PIM3:	Max. -160dBc @2x20W, 900MHz, 1800MHz, 2100MHz tested with cable

MECHANICAL	
MATING CYCLES:	MIN. 100 CYCLES
RECOMMENDED TORQUE:	5Nm
CABLE PULLING:	500N MIN.
CABLE TORSION:	5Nm MIN.

ENVIRONMENTAL	
TEMPERATURE RANGE:	-40°~+85°C
SALT SPRAY:	96H
INTERFACE SEAL:	IP68(1m, 24h) MATED
CLAMP SEAL:	IP67(1m, 0.5h)

P	LTR	DESCRIPTION	DATE	DWN	APVD



NOTE:

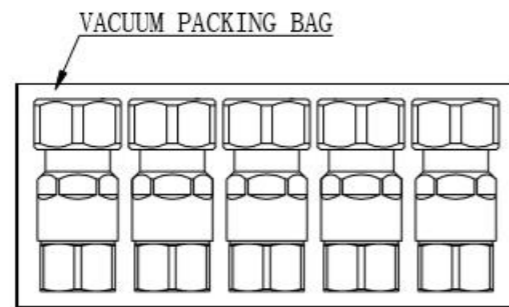
1. INTERFACE ACCORDING TO IEC 61169-54

P/N	PART NAME	MATERIAL	PLATING
2081971-1	CENTER CONTACT	BRONZE	SILVER
	OUTER CONTACT	BRASS/BRONZE	WHITE BRONZE
	INSULATOR	PTFE	
	O-RING	SILICONE RUBBER	
	OTHERS	BRASS	NICKEL

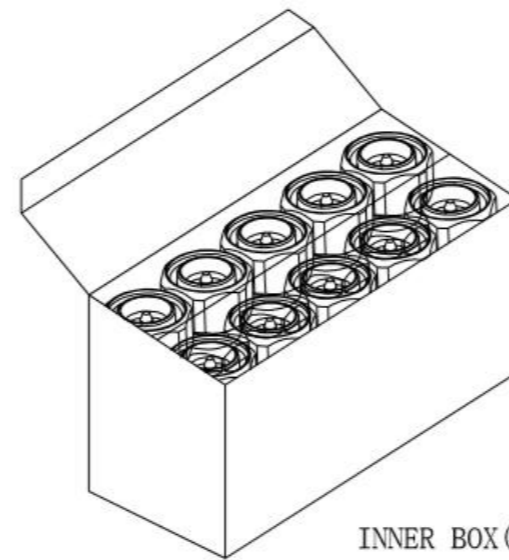
THIS DRAWING IS A CONTROLLED DOCUMENT.		DWN	JZ	10MAR2020	TE TE Connectivity		
DIMENSIONS: mm		CHK	RZ	10MAR2020			
TOLERANCES UNLESS OTHERWISE SPECIFIED:		APVD	RS	10MAR2020	NAME		
0 PLC ±0.3		PRODUCT SPEC		108-115175	4.3-10 STRAIGHT PLUG, SCREW		
1 PLC ±0.2		APPLICATION SPEC		408-160015	FOR 1/2 CABLE		
2 PLC ±0.20		WEIGHT		61.5g	SIZE	CAGE CODE	DRAWING NO
3 PLC ±0.200		CUSTOMER DRAWING			A3	00779	C=2081971
4 PLC ±0.2000		SCALE		1:1	SHEET		1 OF 2
ANGLES ±		RESTRICTED TO			REV		A
FINISH		MATERIAL		SEE TABLE	-		

REVISIONS

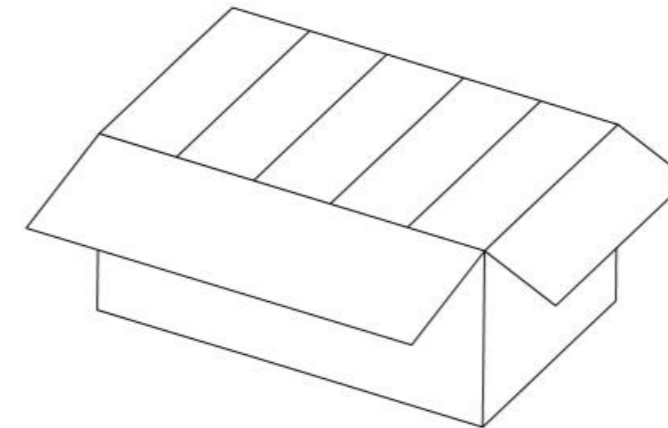
P	LTR	DESCRIPTION	DATE	DWN	APVD



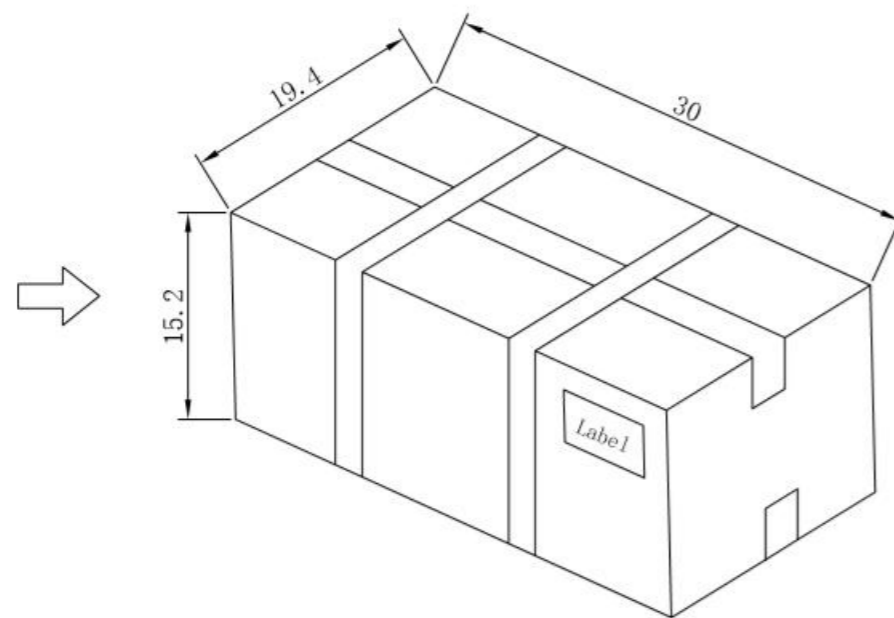
VACUUM PACKING(5PCS/BAG)



INNER BOX(10PCS/BOX)



OUTER BOX(150PCS/BOX)



PACKAGE

(BOX SIZE ONLY FOR REFERENCE, UNIT: CM)

THIS DRAWING IS A CONTROLLED DOCUMENT.		DWN JZ	10MAR2020				
DIMENSIONS: mm		CHK RZ	10MAR2020				
		APVD RS	10MAR2020				
TOLERANCES UNLESS OTHERWISE SPECIFIED: 0 PLC ±0.3 1 PLC ±0.2 2 PLC ±0.20 3 PLC ±0.200 4 PLC ±0.2000 ANGLES ±		PRODUCT SPEC 108-115175	NAME 4.3-10 STRAIGHT PLUG, SCREW FOR 1/2 CABLE CLAMP TYPE				
MATERIAL SEE TABLE	FINISH SEE TABLE	APPLICATION SPEC 408-160015	WEIGHT 61.5g	SIZE A3	CAGE CODE 00779	DRAWING NO C-2081971	RESTRICTED TO -
-		CUSTOMER DRAWING		SCALE 1:1	SHEET 2 OF 2	REV A	