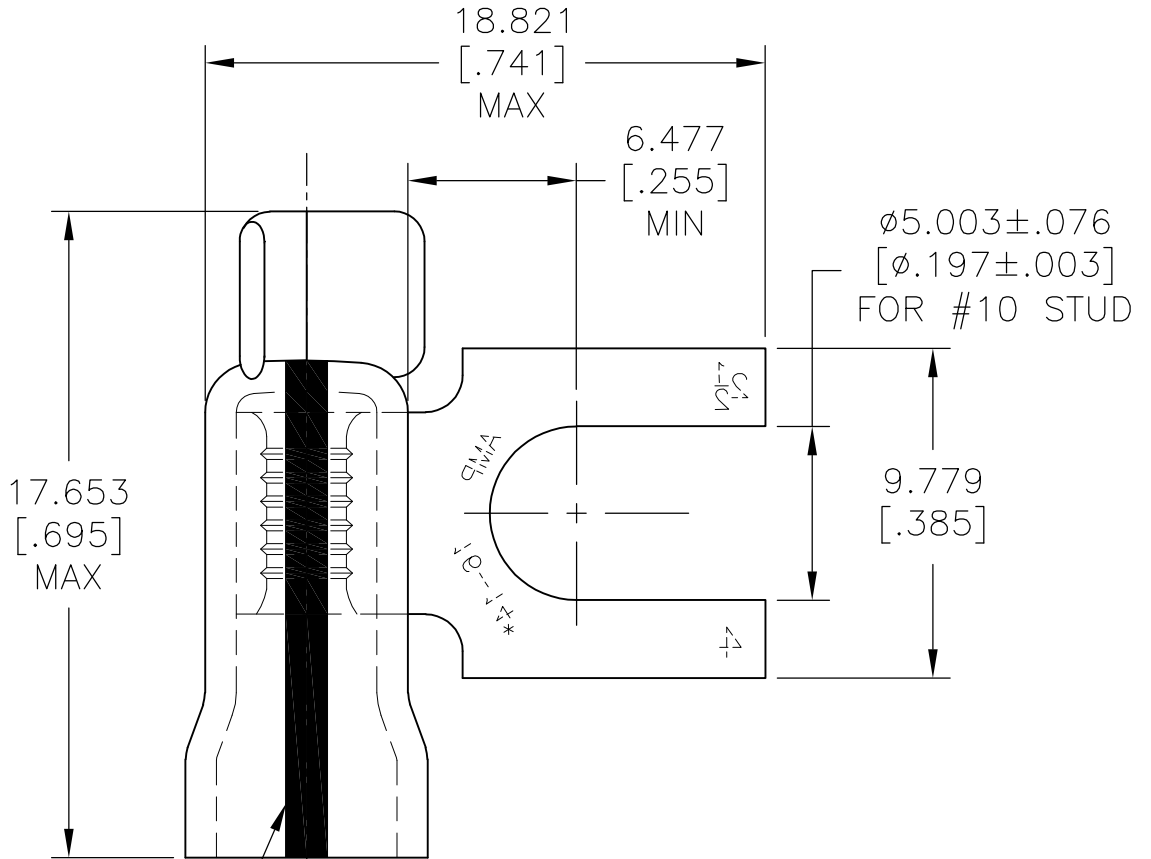


REVISIONS				
P	LTR	DESCRIPTION	DATE	APVD
	A1	REV PER ECO-17-002897	08MAR2017	RS DR



STRIPE COLOR: BLUE

- 1 TONGUE MATERIAL THICKNESS 0.787 ± 0.050 [$.031 \pm .002$].
- 2 FOR 2.921 [$.115$] TO 4.318 [$.170$] WIRE INSULATION DIA.
- 3 MATERIAL: BODY, COPPER PER ASTM B152
SLEEVE, PVC, NATURAL.
- 4 FINISH: BODY, 0.00254 [$.000100$] MIN. EXT. THK.
TIN PLATE PER ASTM B545.


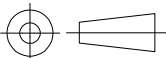
1000	LOOSE PIECE	322834
QTY.	PACKAGE TYPE	PART NUMBER

RELEASED FOR PUBLICATION

ALL RIGHTS RESERVED.

THIS DRAWING IS UNPUBLISHED.

By -
COPYRIGHT -

DIMENSIONS: mm [INCHES]	DWN GEO W GILBERT 9-17-54	MATERIAL	FINISH
	CHK E J FINK 9-22-54		
TOLERANCES UNLESS OTHERWISE SPECIFIED:	APVD R WITMYER 1-7-55	 TE Connectivity	
	PRODUCT SPEC		
0 PLC ± -		NAME WIRE TERMINAL PLASTI-GRIP SLOTTED TONGUE FLAG, WIRE SIZE: 16-14	
1 PLC ± -			
2 PLC ± -	APPLICATION SPEC	SIZE	CAGE CODE
3 PLC ± 0.127[.005]		A4	00779
4 PLC ± -		DRAWING NO	RESTRICTED TO
ANGLES ± 5°	WEIGHT	C-322834	
		CUSTOMER DRAWING	
		SCALE	SHEET
		2:1	1 OF 1
		REV A1	