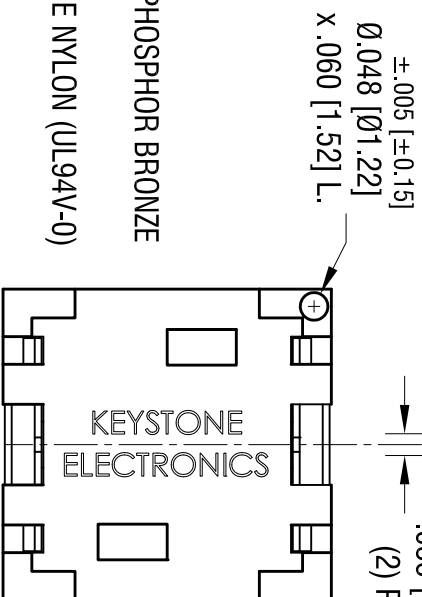
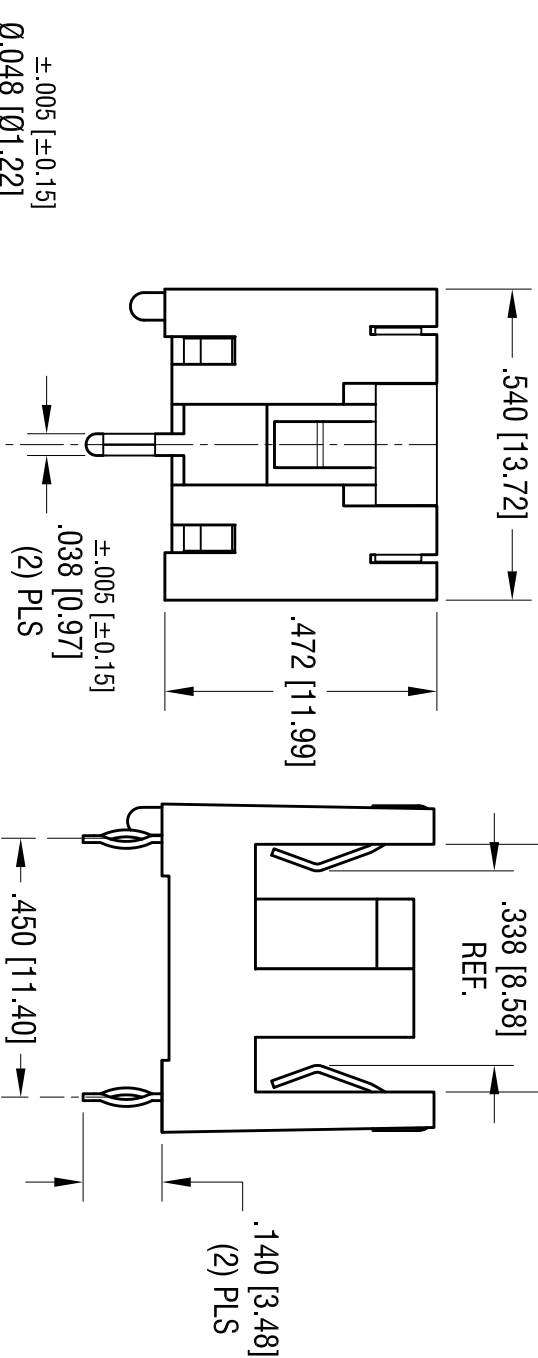
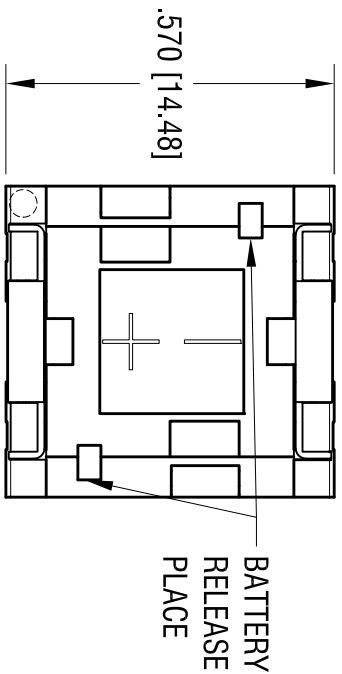
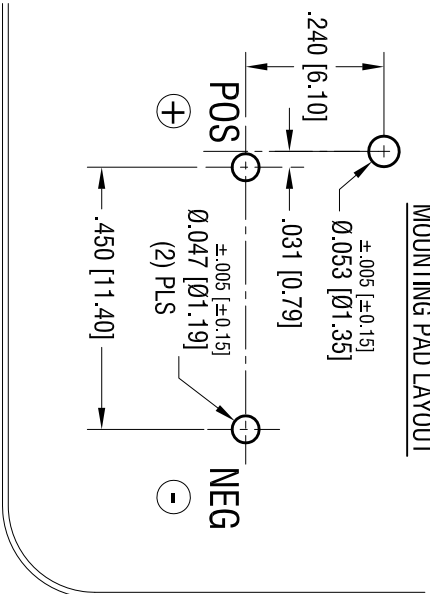
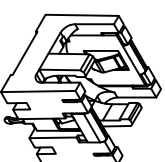


MOUNTING PAD LAYOUT



- NOTE:**
1. CONTACT: MAT'L-.012 [0.30]THK PHOSPHOR BRONZE
FINISH- GOLD PLATE
 2. HOUSING: MAT'L- HEAT RESISTANCE NYLON (UL94V-0)



ACTUAL SIZE

THIS DOCUMENT IS THE PROPERTY OF KEystone ELECTRONICS CORP. AND SHALL NOT BE REPRODUCED, DISTRIBUTED OR USED AS A BASIS FOR MANUFACTURE WITHOUT PRIOR WRITTEN PERMISSION FROM KEystone ELECTRONICS CORP.

DATE

8.06.15

DESCRIPTION

ECN 15-076, PLATING WAS TIN PL. A

REV.

KEYSTONE ELECTRONICS CORP.

www.keystco.com • NEW HYDE PARK, NY 11040 • Tel (516) 328-7500

PART NAME

1/3 N HORIZONTAL PC HOLDER

MATERIAL

AS NOTED

FINISH

AS NOTED

TOLERANCES INCH [MM]
DECIMAL ± .010 [± 0.25]
ANGULAR ± 1°

CODE

C

DRN BY

NT

DATE

4.27.10

APP'D

RH

SCALE

3X

DWG NO.

503