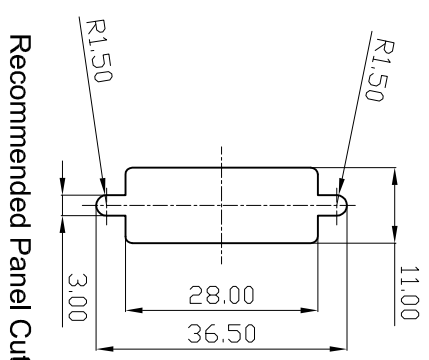
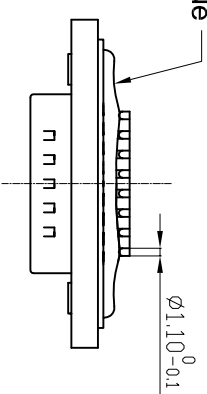
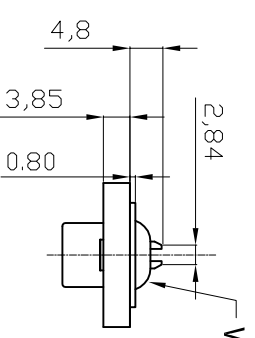


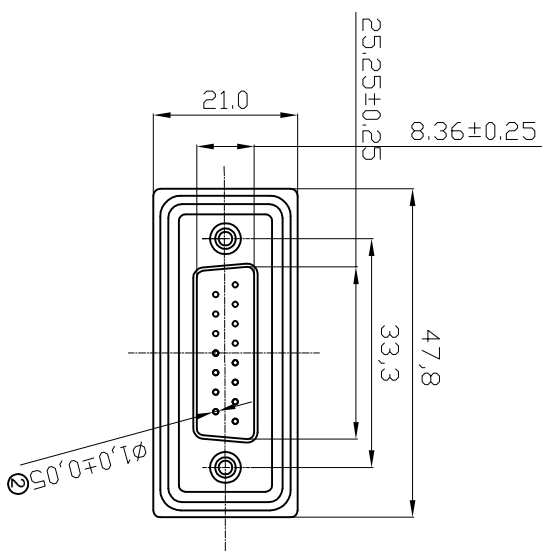
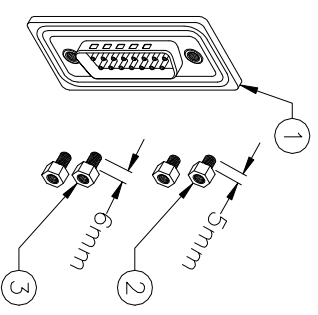
Panel Thickness
 Screw L=5.0 For Panel Thickness Under 1.2mm
 Screw L=6.0 For Panel Thickness Between 1.2-2.0mm



Recommended Panel Cut-Out



- NOTES:**
- MATERIAL**
1. Insulator Material: Black, NYLON+G/F
 2. Contact Material : Copper Alloy
 3. Plating : Gold Plating
 4. Waterproof Rate: IP67
 5. Applicable Wire Range: 22AWG-26AWG
 6. Do Mating Test After Glued



RoHS compliant
 Unit: mm

Scale	Free				
TOLERANCE					
X.X	±0.25				
X.XX	±0.10				
X.XXX	±0.05				
DIM	TOL	②	Cancel LOGO and add dimension	25.01.2018	Tom
ANGLE	±1°	①	Drawn	24.12.2008	JACK
X.X°	±X°				
Angle	TOL		Modification		

1	2	3	4	5	6	7
A						A
B						B
C						C
D						D
E						E
F						F
G						G
H						H



Customer-No.
 ASSMANN WSW-No.
 A-DS 15 LL-WP

Drawing-No.
 ASS 3256 CO rev02

Replace Sheet