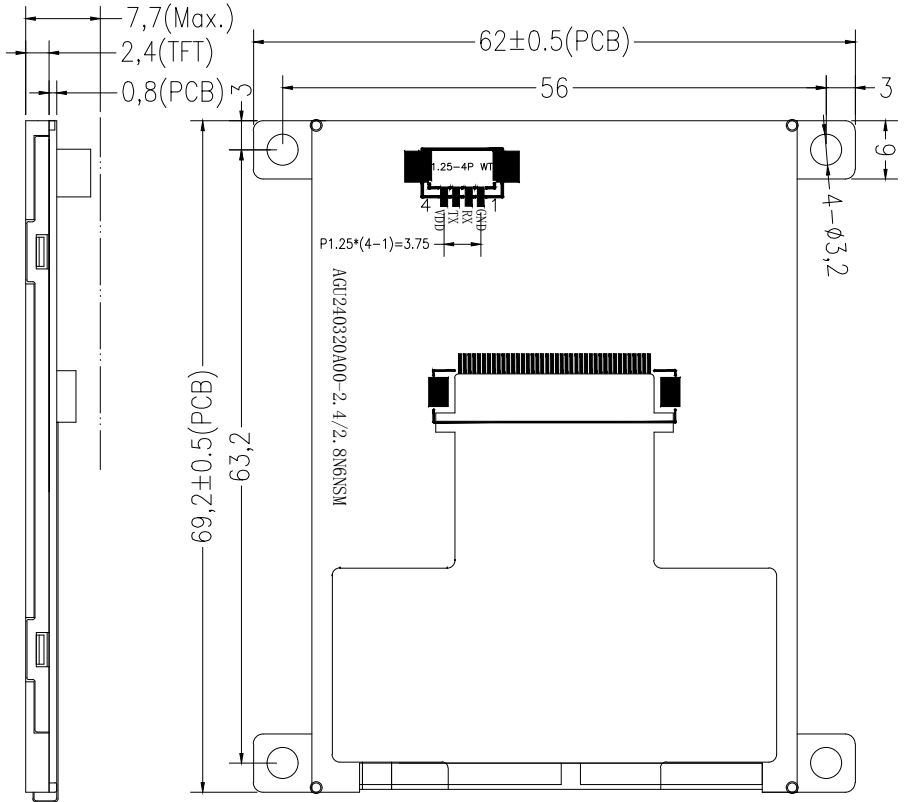
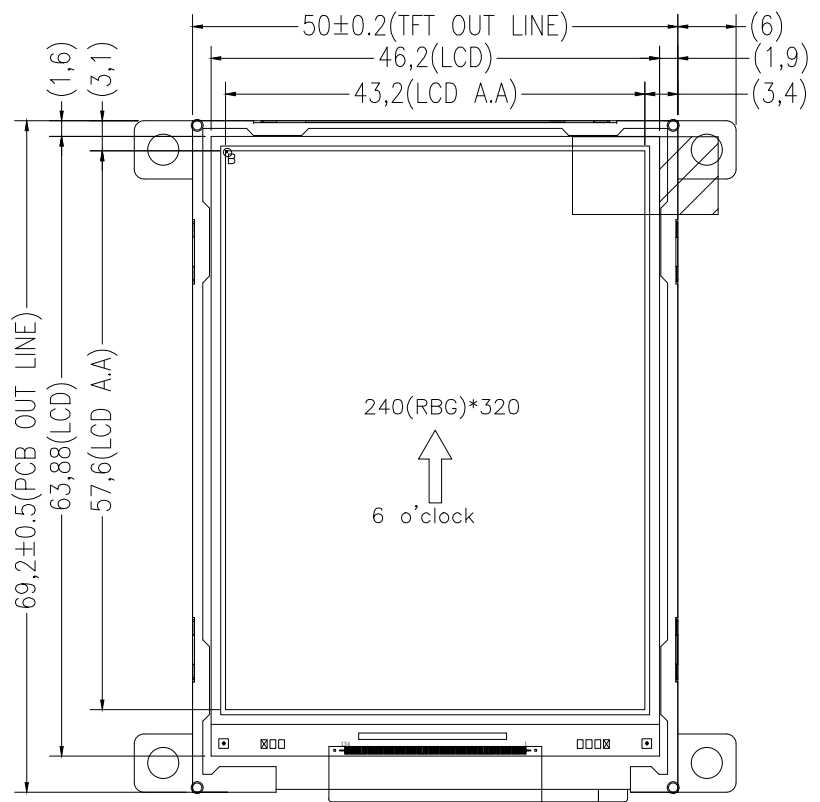


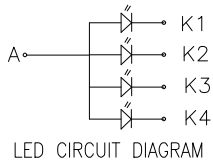
THIS DRAWING IS PROPERTY OF ORIENT DISPLAY . ALL RIGHTS RESERVED.

| | | | | | | | | | | | |
|------------------|--|---------------------|--|-----------------------|--|----------------|--|-----------------------|--|------------------|--|
| ITEM | | PARAMETERS | | ITEM | | PARAMETERS | | ITEM | | PARAMETERS | |
| DISPLAY TYPE | | TN NORMAL WHITE | | VIEWING DIRECTION | | 6 O'CLOCK | | LCD OPERATING VOLTAGE | | 3.3V | |
| RESOLUTION (H*V) | | 2.8" 240*320 PIXELS | | OPERATION TEMPERATURE | | -20°C TO +70°C | | LOGIC VOLTAGE | | 3.3V | |
| POLARIZER TYPE | | TRANSMISSIVE | | STORAGE TEMPERATURE | | -30°C TO +80°C | | GREYSCALE SUPPORT | | / | |
| | | | | | | | | BACKLIGHT | | 4-CHIP WHITE LED | |
| | | | | | | | | CONNECTOR | | ZIF | |



PIN DEFINE

| PIN NO. | SYMBOL |
|---------|--------|
| 1 | GND |
| 2 | RX |
| 3 | TX |
| 4 | VDD |



| | | | | | | | |
|----------------------|--|------|--|---------------------|--|-----------------------|--|
| TITLE | | LCM | | PART NO. | | AGU240320A00-2.8N6NSM | |
| REV. | | V1 | | CUSTOMER NO. | | AGU240320A00-2.8N6NSM | |
| SCALE | | FIT | | UNIT | | mm | |
| ROHS/REACH COMPLIANT | | YES | | 3rd ANGLE | | SHEET 1 of 1 | |
| UNMARKED TOLERANCE | | ±0.3 | | CUSTOMER'S APPROVAL | | | |
| REV. DESCRIPTION | | DATE | | | | | |

| | | |
|----|-------------|------------|
| V1 | MODIFY PCB | 2022-2-19 |
| V0 | FIRST ISSUE | 2021-12-24 |

1 2 3 4 5 6