

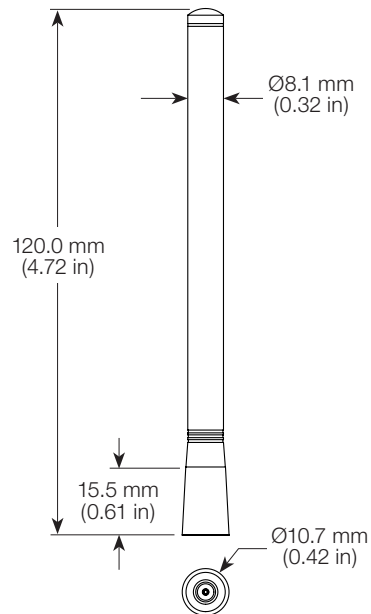
ANT-2.4-CW-HW-T 2.4 GHz Connectorized Dipole Antenna

Product Description

HW-T Series 1/2-wave center-fed dipole antennas deliver outstanding performance in a rugged package. The outer antenna sleeve is constructed with Keyflex BT® 1040D material to provide added UV resistance for outdoor applications.

The antenna contains a straight whip element and internal counterpoise which eliminates external ground plane dependence and maximizes performance.

HW-T Series antennas attach via Part 15 compliant RP-SMA connector (female socket).



Features

- Peak Gain of 3.2 dBi
- Rugged & damage-resistant
- UV Resistant
- Extended low temperature range
- Internal O-ring seal on connector
- Internal counterpoise for ground plane independence
- Omnidirectional pattern
- Part 15 compliant RP-SMA connector (female socket)

Applications

- Bluetooth® and ZigBee®
- Hand-held devices
- ISM applications
- Sensing and remote monitoring
- Internet of Things (IoT) devices

Ordering Information

Part Number	Description
ANT-2.4-CW-HW-T	Antenna with RP-SMA connector (female socket)

Available from Linx Technologies and select distributors and representatives.

Electrical Specifications

Center Frequency	2.45 GHz
Frequency Range	2.35 GHz to 2.60 GHz
Wavelength	1/2-wave
VSWR (max.)	2.0
Peak Gain (dBi)	3.2
Impedance	50 Ω
Connection	RP-SMA (female socket)
Operating Temperature Range	-30 °C to +85 °C

Electrical specifications and plots measured with a 102 mm x 102 mm (4.00 in x 4.00 in) reference ground plane.

VSWR

Figure 1 provides the voltage standing wave ratio (VSWR) across the antenna bandwidth, oriented at the center of the ground plane, perpendicular. VSWR describes the power reflected from the antenna back to the radio. A lower VSWR value indicates better antenna performance at a given frequency. Reflected power is also shown on the right-side vertical axis as a gauge of the percentage of transmitter power reflected back from the antenna.

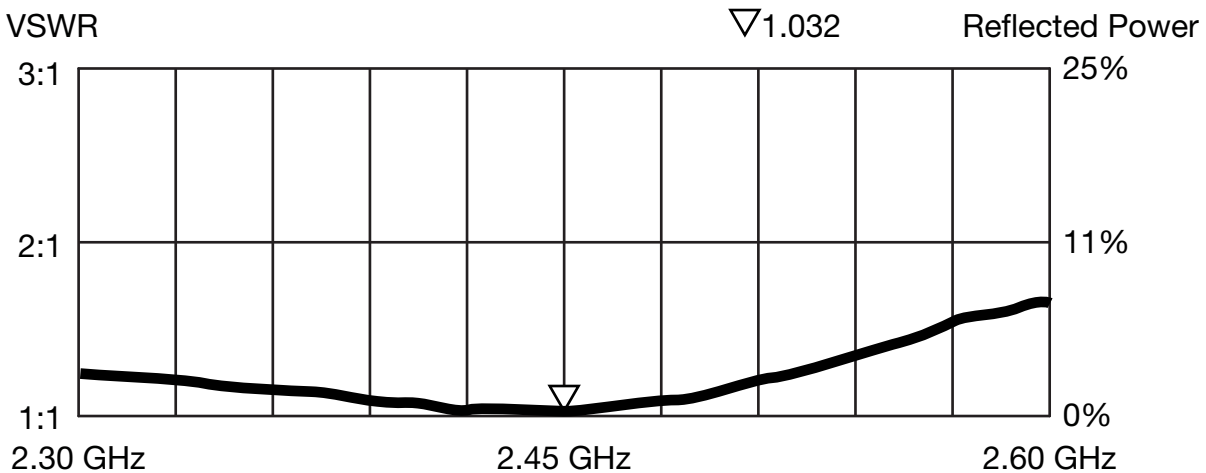


Figure 1. ANT-2.4-CW-HW-T Antenna VSWR

Website: <http://linxtechnologies.com>
 Linx Offices: 159 Ort Lane, Merlin, OR, US 97532
 Phone: +1 (541) 471-6256
 E-MAIL: info@linxtechnologies.com

Linx Technologies reserves the right to make changes to the product(s) or information contained herein without notice. No liability is assumed as a result of their use or application. No rights under any patent accompany the sale of any such product(s) or information.

Wireless Made Simple is a registered trademark of Linx Acquisitions LLC. Bluetooth is a registered trademark of Bluetooth SIG, Inc. ZigBee is a registered trademark of ZigBee Alliance, Inc. Keyflex BT is a registered trademark of LG Chem, Ltd. Other product and brand names may be trademarks or registered trademarks of their respective owners.

Copyright © 2019 Linx Technologies

All Rights Reserved

Doc # DS19298-28ANT

