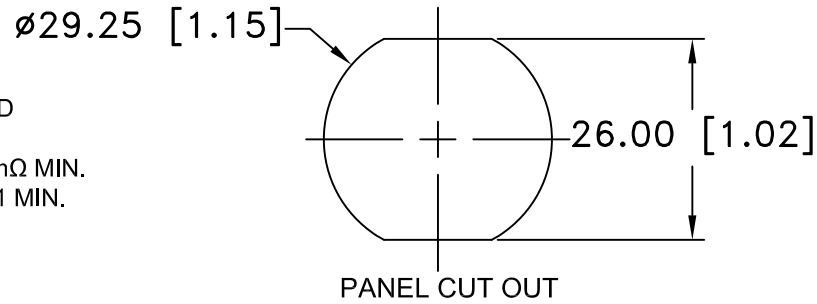


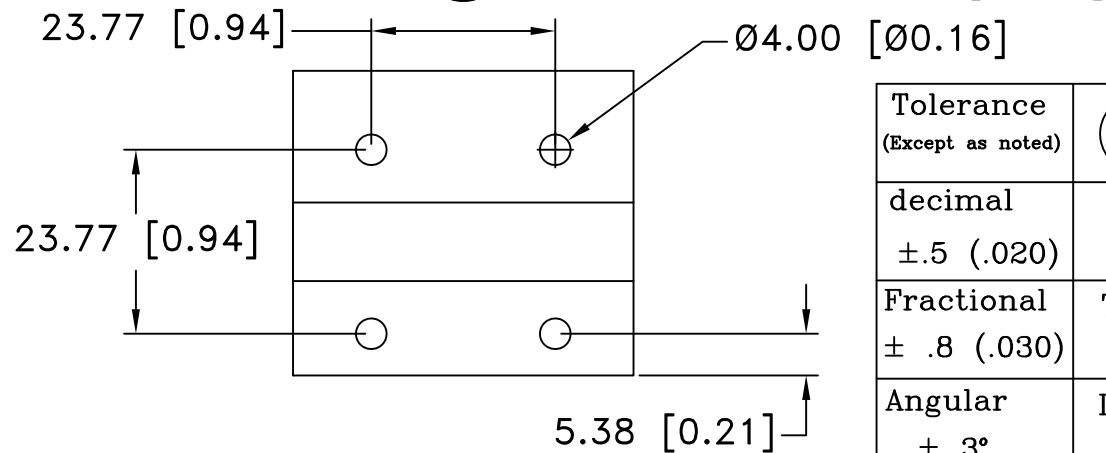
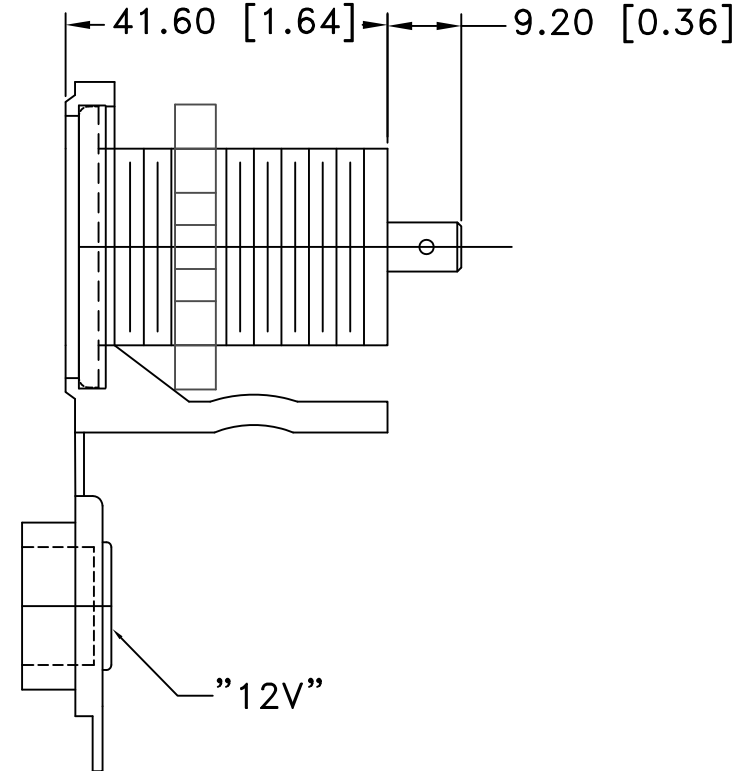
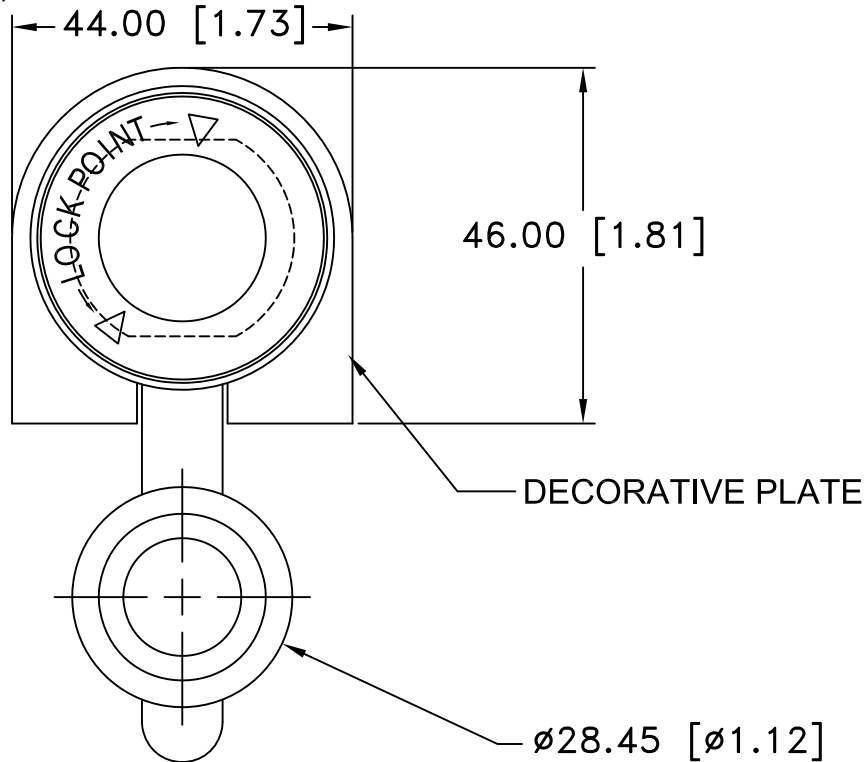
**MATERIAL SPECIFICATION:**


COVER: PVC  
 BODY: NYLON #66  
 CONTACTS: BRASS, NICKEL PLATED  
 RATING: 50mΩ Max  
 INSULATION RATING: 500VDC, 100mΩ MIN.  
 DIELECTRIC STRENGTH: 1500VAC 1 MIN.  
 NUT: NYLON #66  
 BASE: NYLON #66  
 DECORATIVE PLATE: NYLON #66  
 RATING: 12V, 20AMP



Date	SYM	REVISION RECORD	AUTH	DR.	CK.
07/29/11	A	ADDED ROHS COMPLIANT	T.B.	B.S.	

ROHS COMPLIANT



Tolerance (Except as noted)	 Memory Protection Devices, Inc 200 Broad Hollow Road, Farmingdale, New York 11735	Scale	Drawn By B.S.
			Approved By T.B.
decimal ±.5 (.020)	Title 12V CIGARETTE SOCKET, 20AMP	Date 07/29/11	
Fractional ± .8 (.030)		Drawing Number AS212-L	
Angular ± 3°			