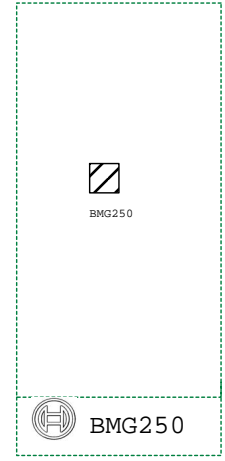
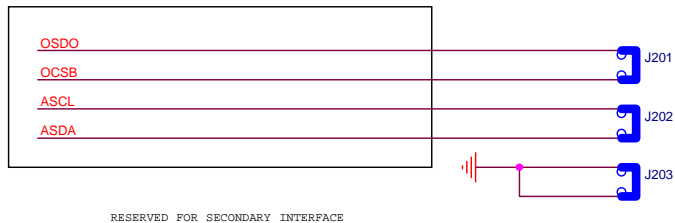
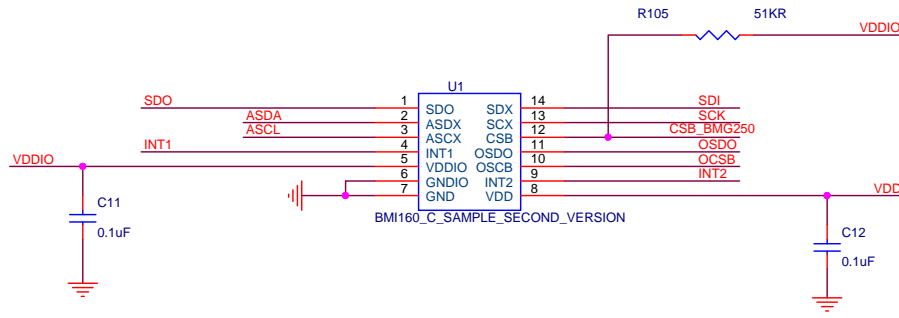


BMG 250 Shuttle

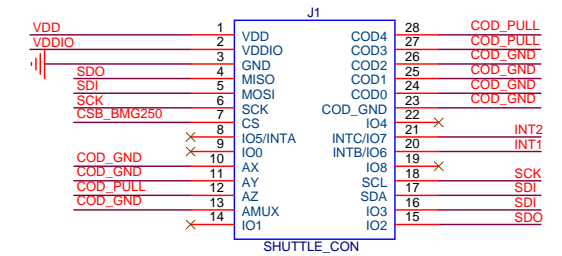
I2C address Matrix

SDO	Addr	Part
L	0x68	BMG250
H	0x69	



Shuttle placement

SID COD8 -> COD0
0 1 0 0 1 1 0 0 0



Unless mentioned in value, all resistor and capacitor could use 0603

Title		
BMG 250 shuttle		
Size	Document Number	Rev
B	BMG 250 SHUTTLE Design: Lu Xinhua Review: Chu Tianhan	1.0
Date:	Wednesday, March 25, 2015	Sheet 1 of 1