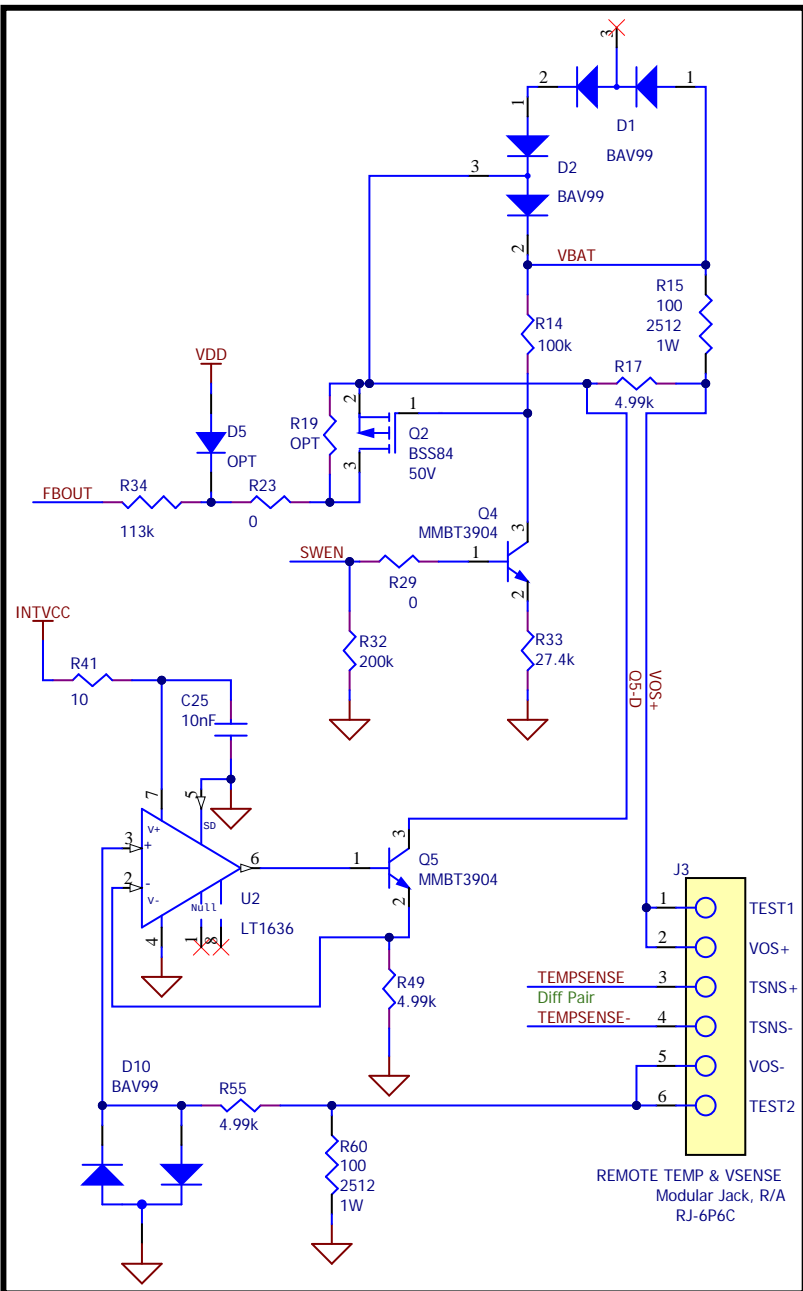


LT8491

NOTES (UNLESS OTHERWISE SPECIFIED):
 1- ALL SMD CAPACITORS ARE 0603, 16V, X7R
 2- ALL SMD RESISTORS ARE 0603
 *- See Demo Manual for proper usage and warnings

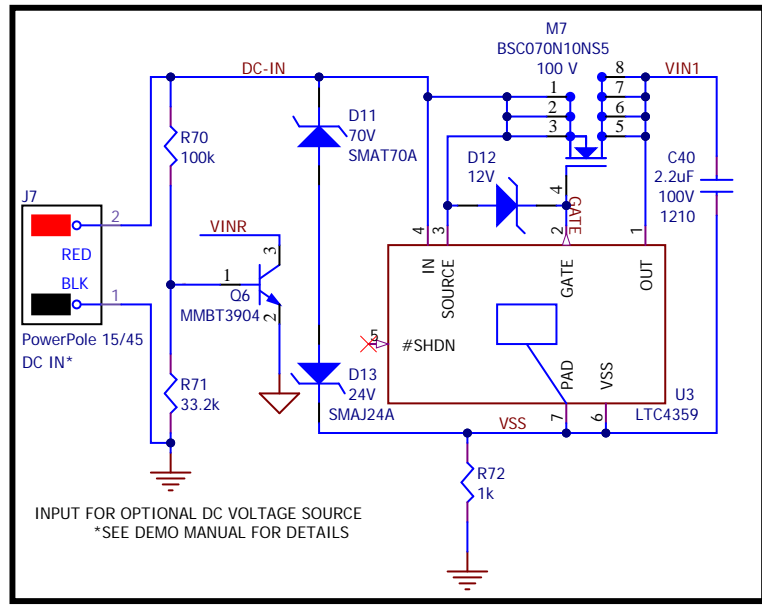
APPROVALS	DATE	 Analog Devices, Inc www.analog.com 1630 McCarthy Blvd. Milpitas, CA 95035 Phone: (408) 432-1900 Fax: (408) 434-0507
DRAWN	C0 11-28-19	
CHECKED	AS 02-21-20	
UPDATED	C0 04-24-20	
ADI CONFIDENTIAL For Customer Use Only with ADI parts (c) 2019 Analog Devices		TITLE LT8491 MPPT CHARGER with TELEMETRY SHEET DESC: LT8491 with Core Circuitry
SCALE: NONE	FILENAME: CIS1.SchDoc	PROJECT TYPE 6-Layer Demo Board Print Date: 04/27/20 10:59:29 AM
SHEET 1		DWG NO DC2703A REV 4
OF 3		

<-> FBOUT : Remote sense circuit for battery voltage.

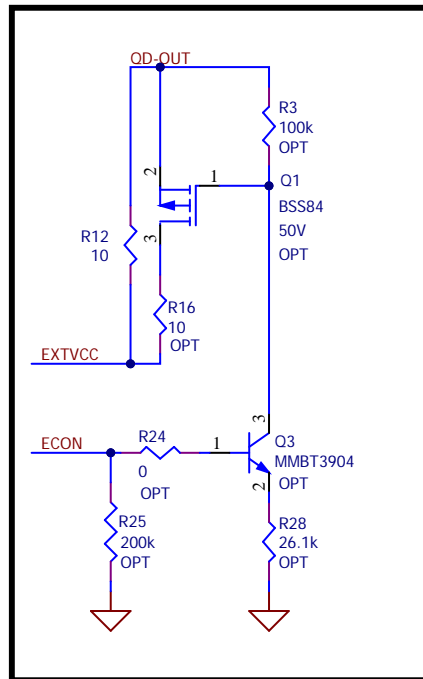


OPTIONS AVAILABLE ON DEMO BOARD
*SEE DEMO MANUAL FOR DETAILS

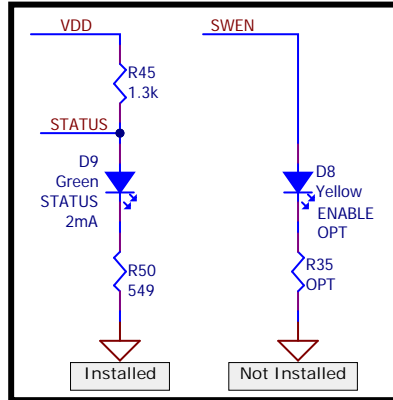
INPUT FOR OPTIONAL DC VOLTAGE SOURCE
*SEE DEMO MANUAL FOR DETAILS



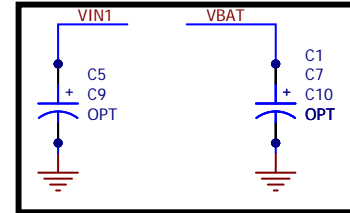
EXTVCC Disconnect
Remove R12 and Install OPT options



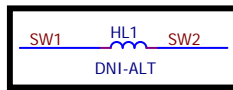
Optional Indicator LEDs



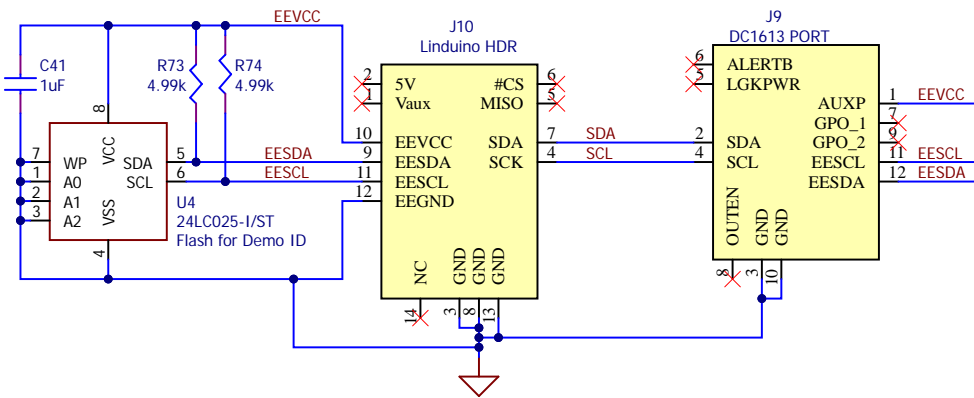
Optional Input and Output Capacitors



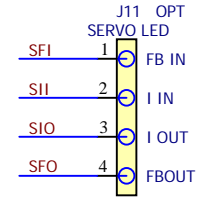
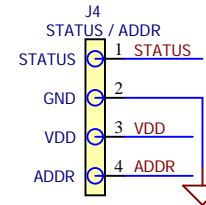
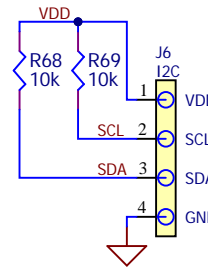
Optional Inductor Footprint



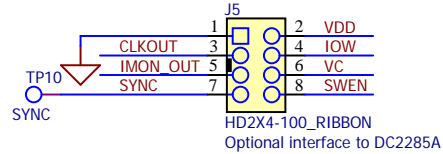
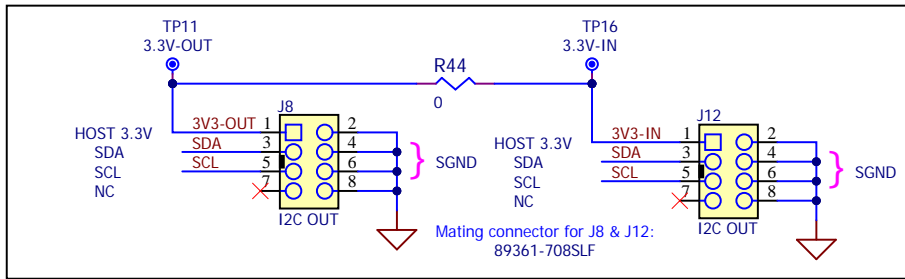
APPROVALS	DATE			1630 McCarthy Blvd. Milpitas, CA 95035 Phone: (408) 432-1900 Fax: (408) 434-0507	
DRAWN	CO 11-28-19			www.analog.com	
CHECKED	AS 02-21-20	TITLE LT8491 MPPT CHARGER with TELEMTRY			
UPDATED	CO 04-24-20	SHEET DESC: Optional Circuits			
ADI CONFIDENTIAL For Customer Use Only with ADI parts (c) 2019 Analog Devices		SIZE A	PROJECT TYPE 6-Layer Demo Board Print Date: 04/27/20 10:59:29 AM	DWG NO DC2703A	REV 4
SCALE: NONE	FILENAME: CIS2.SchDoc	SHEET 2		OF 3	



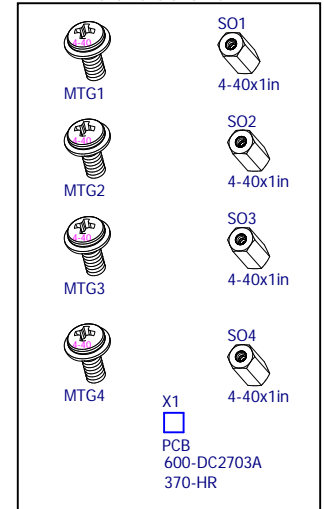
R68, R69: Remove if I2C host has pullups



I2C Pass-Through for Daisy Chaining up to 4 DC2703A



Hardware and PCB



J1, J2, J7 Anderson Connectors Assemble from these Parts

MP1 Manufacturer PN: 1327 Part 1 of 5, HSG Red	MP6 Manufacturer PN: 1327 Part 1 of 5, HSG Red	MP11 Manufacturer PN: 1327 Part 1 of 5, HSG Red
MP2 Manufacturer PN: 1327G6 Part 2 of 5 Housing Black	MP7 Manufacturer PN: 1327G6 Part 2 of 5 Housing Black	MP12 Manufacturer PN: 1327G6 Part 2 of 5 Housing Black
MP3 Manufacturer PN: 1377G12-BK Part 3&4 of 5 Terminal	MP8 Manufacturer PN: 1377G12-BK Part 3&4 of 5 Terminal	MP13 Manufacturer PN: 1377G12-BK Part 3&4 of 5 Terminal
MP4 Manufacturer PN: 1377G12-BK Part 3&4 of 5 Terminal	MP9 Manufacturer PN: 1377G12-BK Part 3&4 of 5 Terminal	MP14 Manufacturer PN: 1377G12-BK Part 3&4 of 5 Terminal
MP5 Manufacturer PN: 114555P2 Part 5 of 5 Mounting Staple	MP10 Manufacturer PN: 114555P2 Part 5 of 5 Mounting Staple	MP15 Manufacturer PN: 114555P2 Part 5 of 5 Mounting Staple

APPROVALS	DATE	Analog Devices, Inc 1630 McCarthy Blvd. Milpitas, CA 95035 Phone: (408) 432-1900 Fax: (408) 434-0507 www.analog.com
DRAWN	CO 11-28-19	
CHECKED	AS 02-21-20	
UPDATED	CO 04-24-20	
ADI CONFIDENTIAL For Customer Use Only with ADI parts (c) 2019 Analog Devices		TITLE LT8491 MPPT CHARGER with TELEMTRY SHEET DESC: Connectors, Hardware and Misc
SIZE	A	PROJECT TYPE 6-Layer Demo Board Print Date: 04/27/20 10:59:30 AM
SCALE:	NONE	DWGNO DC2703A REV 4
FILENAME:	CIS3.SchDoc	SHEET 3 OF 3