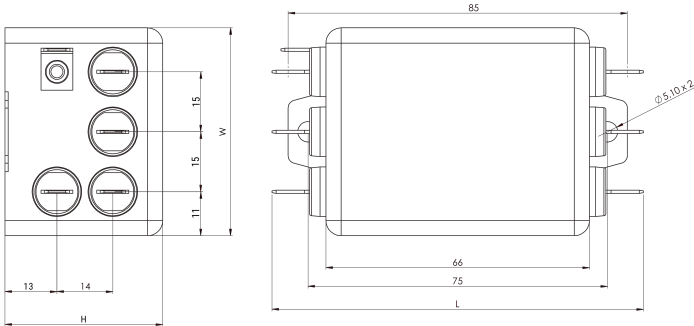


FLLD3010AAW01

Aliases (LLD3010AAW01)

KEMET, FLLD3-AW, EMI/RFI Filters, Noise Suppression, 440 VAC, 10 A, 93x52x40mm



Click [here](#) for the 3D model.

Dimensions

L	93mm MAX
W	52mm NOM
H	39.5mm NOM
L1	85mm NOM
L2	75mm NOM

Packaging Specifications

Packaging	Bulk
Packaging Quantity	1

General Information

Series	FLLD3-AW
Style	Chassis Mount
Description	Compact, Three-Phase and Neutral Filters
Features	Three Phase, Compact
Phase	Three-phase
RoHS	Yes
Qualifications	UL 1283
Terminal Type	Faston

Specifications

Voltage AC	440 VAC
Rated Frequency	50-60 Hz
Rated Current	10 A
Temperature Range	-25/+85°C
Climate Category	25/085/21
Test Voltage DC (P to P)	1700 VDC
Test Voltage DC (P to E)	3000 VDC
Leakage Current	83 uA (MAX)