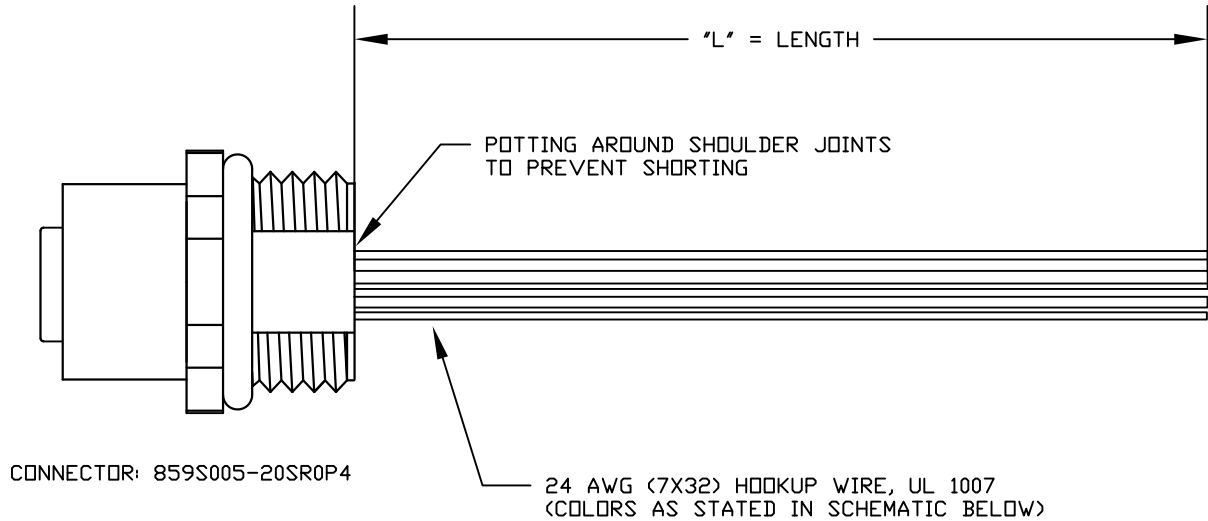
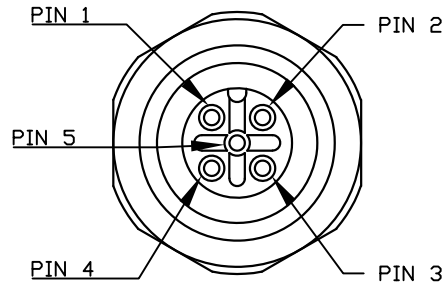


DESCRIPTION: M12 5 POSITION STAINLESS STEEL FEMALE PIGTAIL



CONNECTOR: 859S005-20SR0P4

\*\*SEE PAGE 2 FOR DETAILS

WIRING SCHEMATIC

1		2	
PIN		PIN	
1 = BROWN	1 = RED	2 = GREEN	2 = GREEN
2 = WHITE	2 = GREEN	3 = BLACK	3 = BLACK
3 = BLUE	3 = BLACK	4 = WHITE	4 = WHITE
4 = BLACK	4 = WHITE	5 = GREY	5 = GREY
5 = GREY	5 = GREY		

FPM12A05IYYBF0Y

INCHES ———

01 = WIRING SCHEMATIC 1  
02 = WIRING SCHEMATIC 2

LENGTH  
EX: 06 = 6 INCHES  
12 = 12 INCHES

NOTE: PACKAGED 10 PER BAG

RoHS COMPLIANT

UNITS IN INCHES [MM] DO NOT SCALE FROM DRAWING



THESE DRAWINGS AND SPECIFICATIONS ARE THE PROPERTY OF NorComp AND SHALL NOT BE REPRODUCED, COPIED OR USED AS THE BASIS FOR THE MANUFACTURE OR SALE OF APPARATUS WITHOUT WRITTEN PERMISSION.

DRAWN:  
G. BROWN

DATE:  
01/23/2019

NorComp

SCALE:  
NTS

SHEET OF  
1 2

REV  
1

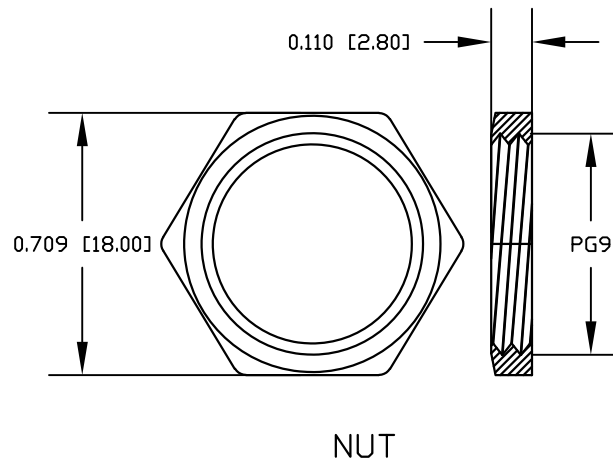
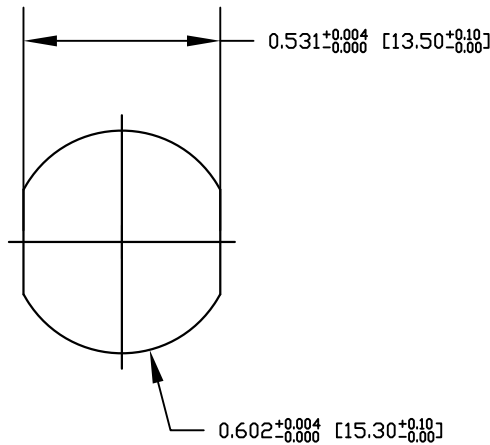
DWG NO.

FPM12A05IYYBF0Y

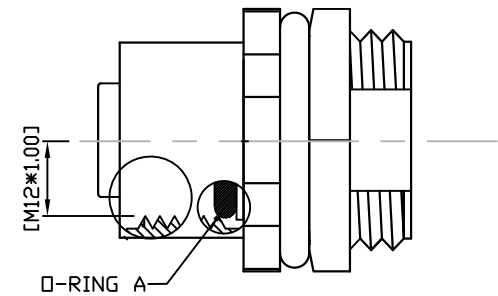
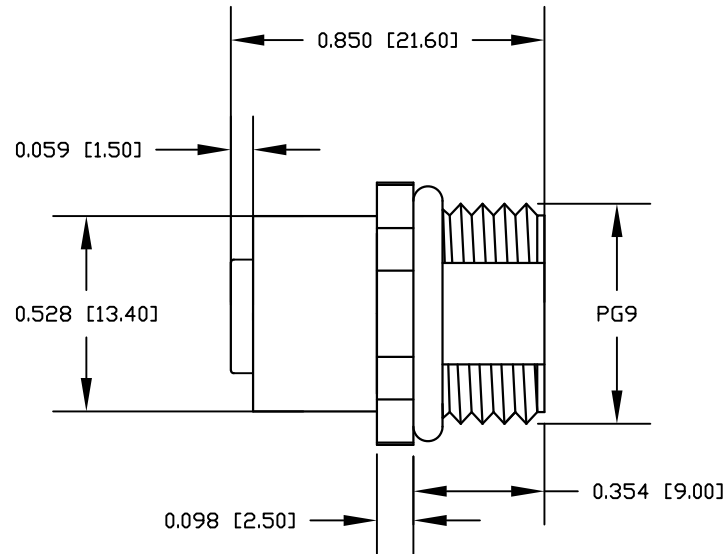
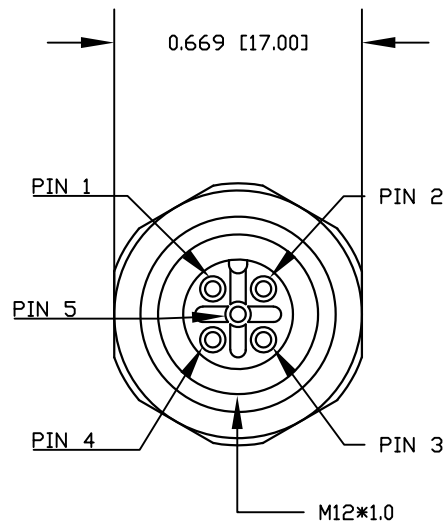
DESCRIPTION: M12 5 POSITION STAINLESS STEEL FEMALE PIGTAIL

NOTE:

MATERIAL	PBT UL94V-0, BLACK
HOUSING:	BRASS
CONTACT:	STAINLESS STEEL 316
NUT:	STAINLESS STEEL 316
SHELL:	STAINLESS STEEL 316
O-RING:	EPDM, BLACK
FINISH	
CONTACT:	GOLD PLATED 10μ" Min.
UNDER PLATE:	NICKEL
ELECTRICAL	
RATED CURRENT:	4A
RATED VOLTAGE:	60V
INSULATION RESISTANCE:	100MΩ MIN
CONTACT RESISTANCE:	10mΩ MAX
WATER PROOF:	IP67/68
ENVIRONMENT	
OPERATION TEMPERATURE:	-40°C ~ +85°C



RECOMMENDED PANEL CUT-OUT



RoHS COMPLIANT

UNITS IN INCHES [MM] DO NOT SCALE FROM DRAWING



THESE DRAWINGS AND SPECIFICATIONS ARE THE PROPERTY OF NorComp AND SHALL NOT BE REPRODUCED, COPIED OR USED AS THE BASIS FOR THE MANUFACTURE OR SALE OF APPARATUS WITHOUT WRITTEN PERMISSION.

DRAWN:  
G. BROWN

DATE:  
01/23/2019

NorComp

SCALE: NTS	SHEET 2	OF 2	REV 1
DWG NO.			FPM12A05IYYBF0Y