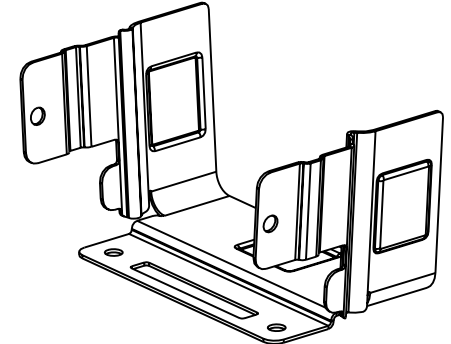
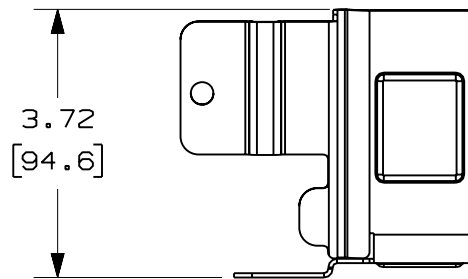
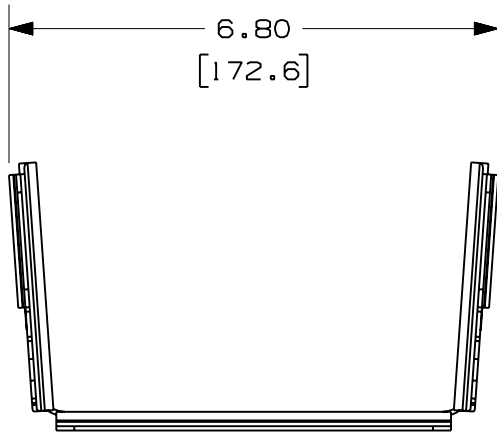
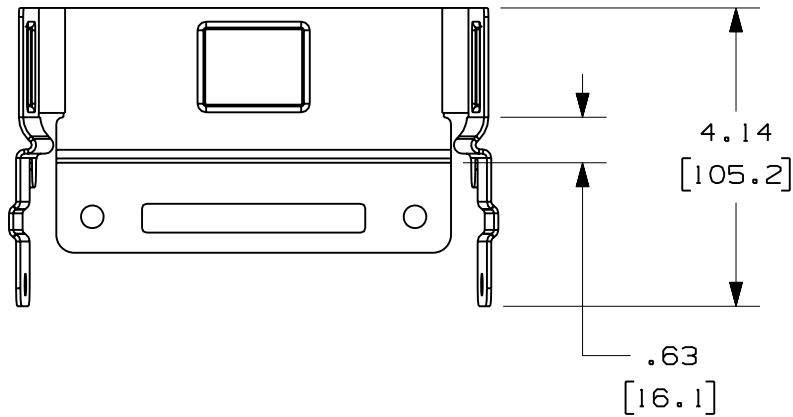


THIS COPY IS PROVIDED ON A RESTRICTED BASIS AND IS NOT TO BE USED IN ANY WAY DETRIMENTAL TO THE INTERESTS OF PANDUIT CORP.

PANDUIT PART NUMBER	WEIGHT
FRTEL6	0.70 LB/EACH (319g/EACH)



NOTES:

1. SEE CURRENT CATALOG FOR ADDITIONAL PART SUFFIXES TO INDICATE PACKAGE QUANTITY.
2. THE FIBERRUNNER 6x4 TO TELECT 6x4 WAVETRAX CABLE MANAGEMENT SYSTEM ADAPTER ATTACHES TO THE TELECT 6x4 WAVETRAX SOLID CHANNEL USING THE SUPPLIED HARDWARE LISTED BELOW. THE ADAPTER ACCEPTS THE FIBERRUNNER 6x4 QUIKLOCK COUPLER WHICH THEN ALLOWS FOR THE ATTACHMENT OF THE FIBERRUNNER 6x4 CABLE ROUTING SYSTEM.
3. THE FIBERRUNNER 6x4 TO TELECT 6x4 WAVETRAX CABLE MANAGEMENT SYSTEM ADAPTER INCLUDES:  
ONE (1) ADAPTER,  
FOUR (4) 1/4-20x5/8" NYLON COMBINATION BINDING HEAD MACHINE SCREWS,  
FOUR (4) 1/4-20 NYLON DECO WING NUTS.
4. FINISH COLOR: BLACK
5. DIMENSIONS IN PARENTHESES ARE IN METRIC.

ENG. REF.: D39163BF\_DC\_FRTEL6\_01.prt

CAD FILENAME/LAYERS		FRTEL6.pdf	
<h1>PANDUIT</h1> CORP TINLEY PARK, ILLINOIS			
FIBERRUNNER 6x4 TO TELECT 6x4 WAVETRAX CABLE MANAGEMENT SYSTEM ADAPTER (FRTEL6) CUSTOMER DRAWING			
UNLESS OTHERWISE SPECIFIED, DIMENSIONAL TOLERANCES ARE: (.X) ± (.XXX) ± (.XX) ± .03 (.8) ANGLES ±		UNLESS OTHERWISE SPECIFIED, ALL DIMENSIONS ARE GIVEN IN INCHES, THIRD ANGLE PROJECTION.	
DRAWN BY	MAT'L:	SCALE	NONE
MSO	STEEL	DRAWING NO.	39163-07
DATE		DWG	A
6-28-05		SIZE	
CHK'D	RPA		

REV	DATE	BY	CHK	DESCRIPTION	ECN	R	CUST	SUP	GMBH
1	7-19-06	DTP	RN	A. REVISED PART WEIGHT	39163-07	RN	RN		
R	6-28-05	MSO	RPA	RELEASED TO PRODUCTION	39163-07	RN	RN		