



ISL Products International

ø63mm BLDC Outrunner Motor
3-Phase Brushless
MOT-I-81302

Online ID#:

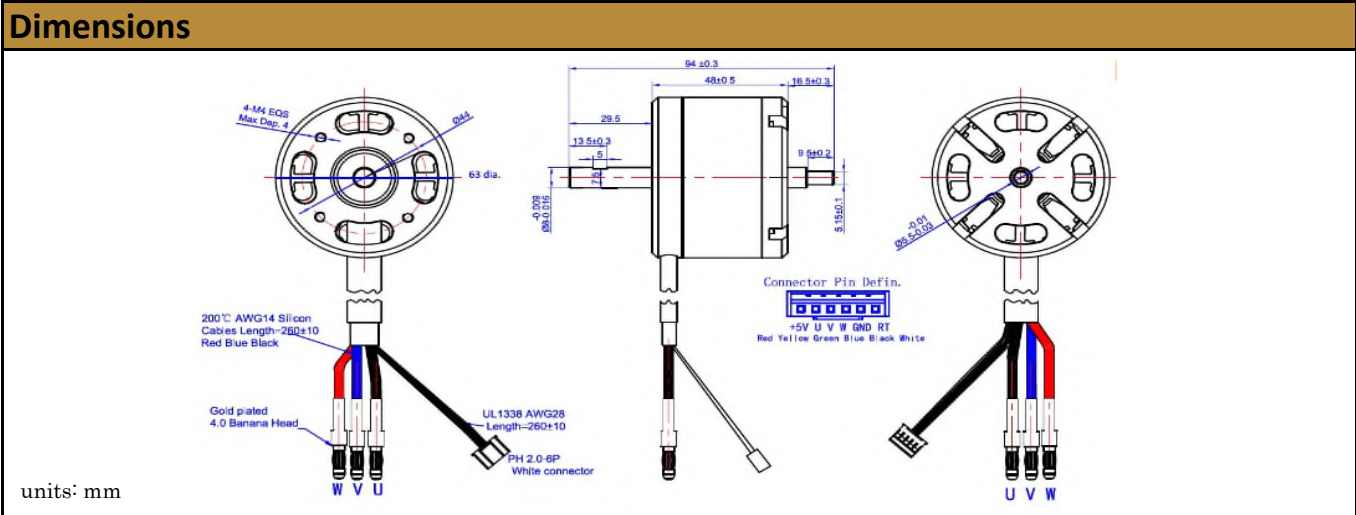
Our BLDC Outrunner Motors are a unique solution providing excellent torque output and superior reliability and control.

With endless performance combinations, we have a fully tailored gear motor solution for you.

Contact Us for alternative solutions!



Specifications			
Motor Type:	Brushless (BLDC)	No-Load Speed:	3,120 rpm (+/- 10%)
Motor Construction:	12N14P	No-Load Current:	< 1 A
Rated Voltage:	24V DC	Rated Torque:	2 kg.cm
Rated Speed:	2,400 rpm	Rated Current:	2.8 A
Kv:	130 rpm/V	Termination Style:	Connectors (see below)



Electrical Connection

+5V	Red	UL1338 28 AWG (PH 2.0-6P)
Hall U	Yellow	
Hall V	Green	
Hall W	Blue	
Ground	Black	
RT	White	
Phase U	Black	200°C Silicone 14AWG (Gld. 4.0 Banana Plug)
Phase V	Blue	
Phase W	Red	

