

Product Change Notice (PCN)

Date: 11/14/2019

PCN Number: PCN-0451318R-01

To Our Customers:

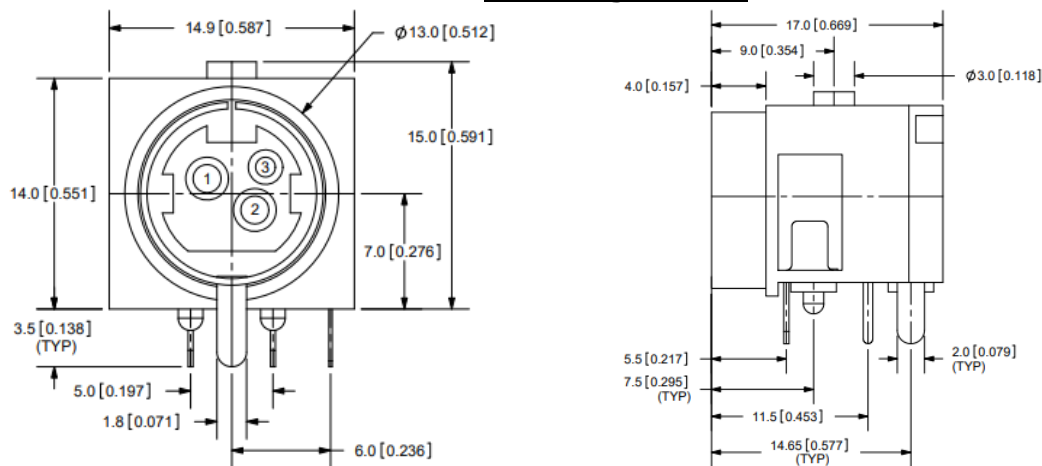
We appreciate your use of CUI Devices products. Our commitment in maintaining and improving processes is demonstrated by plans to enhance our product quality, reliability and manufacturability. The purpose of this notice is to inform you of a product change.

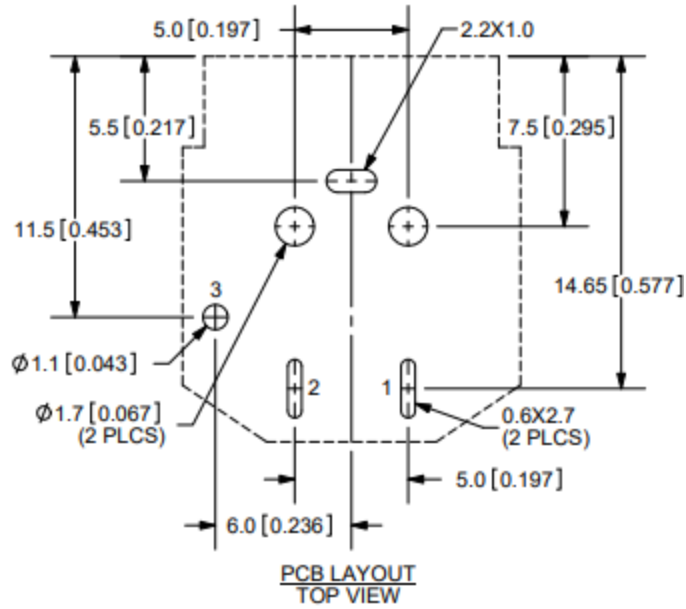
Product(s) Affected: PD-30 and PD-40

Reason(s) for Change: Manufacturing build location change

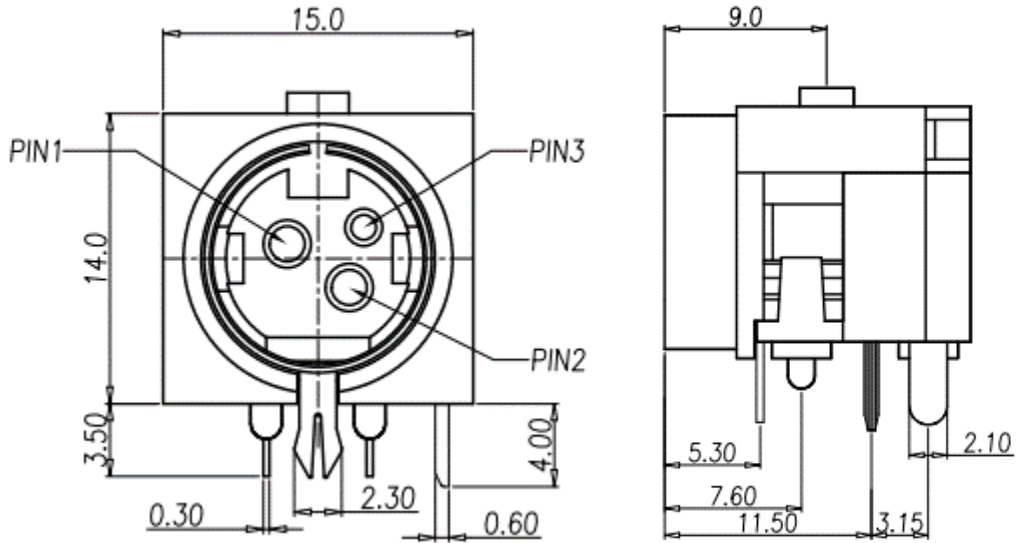
Description of Change: Housing and PCB layout changes as shown below.

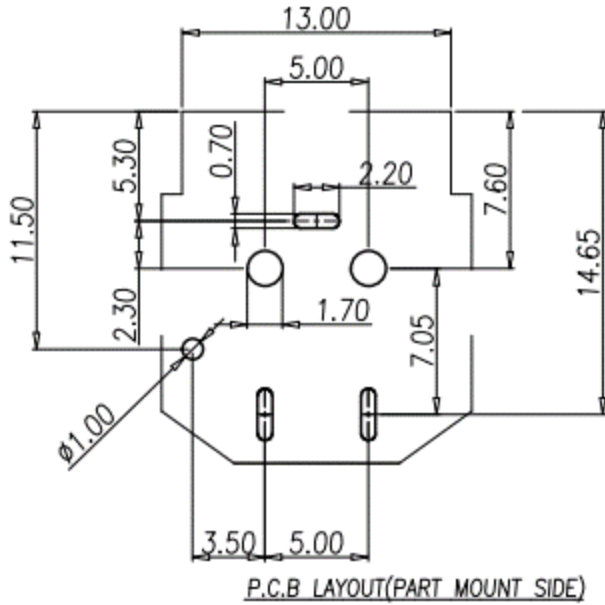
Old Design PD-30



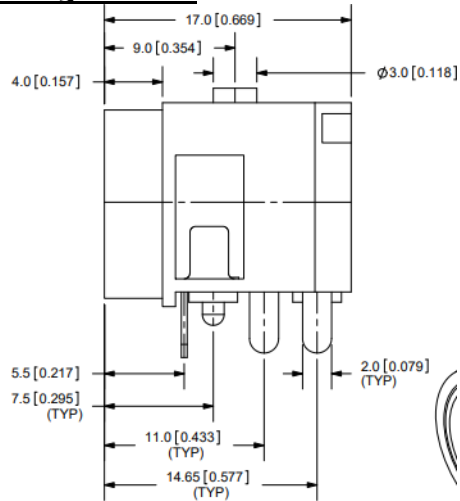
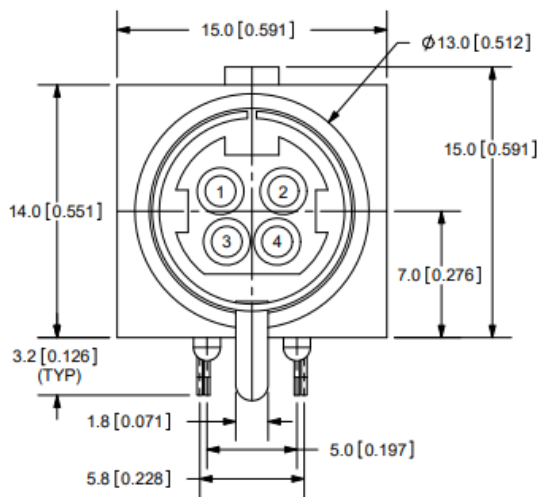


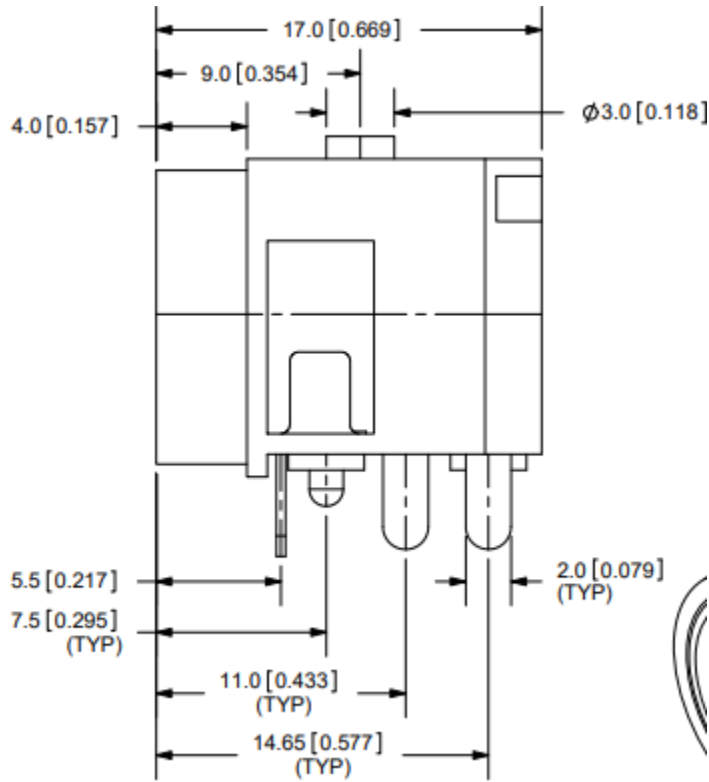
New Design PD-30



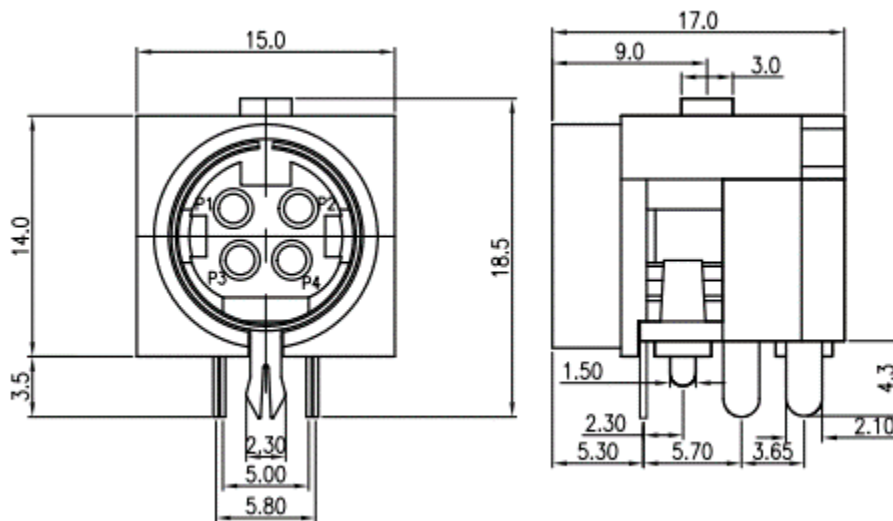


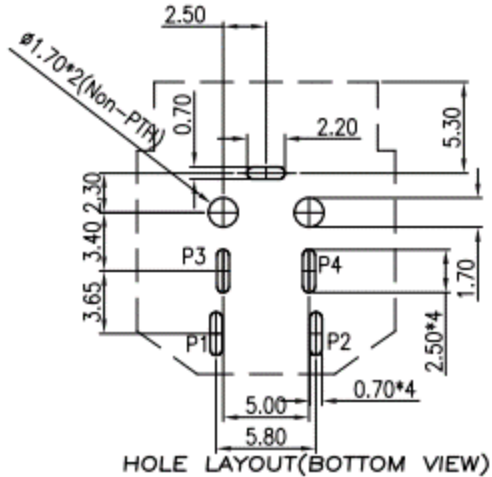
Old Design PD-40





New Design PD-40





Affected Date Code: 11/15/2019

Product Availability: currently available

Additional Information: none

PCN Approval:

Operations/Quality

Roe Garcia

Product Marketing

RH