

SCT2400EVM Evaluation Module

The SCT2400 EVM is a compact evaluation board that allows the user to investigate all aspects of the SCT2400 integrated circuit, a high performance 2.4GHz transceiver and baseband processor.

SCT2400 Features

- Highly integrated 2.4GHz spread spectrum radio transceiver
- Range optimised vocoder
- Digital voice modes
 - Peer to peer
 - Group Call
 - Broadcast
- Data Modes
 - Continuous SMS style data

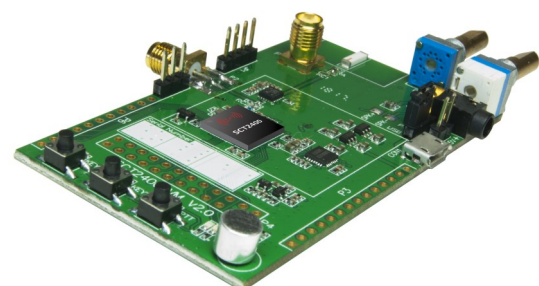
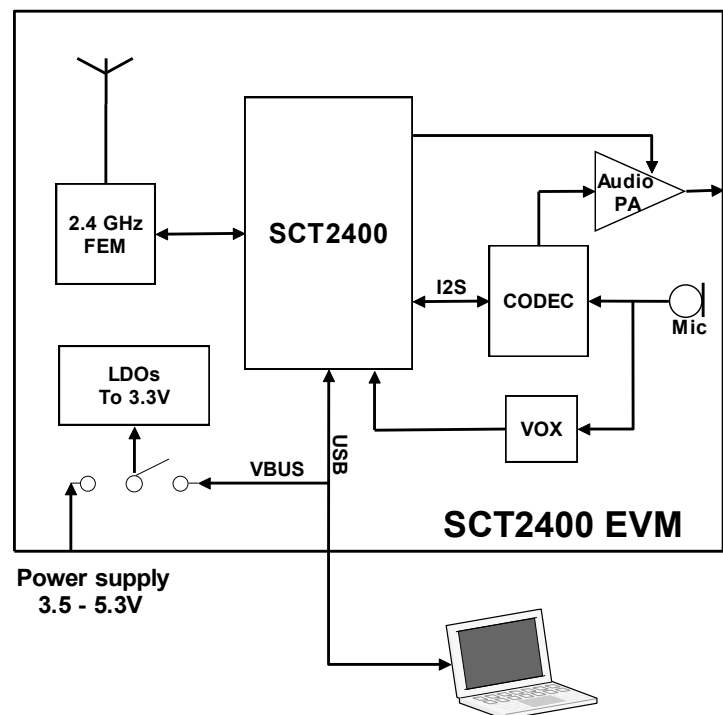
Technical Features

- 12.5dBm RF Tx power
- Single 3V supply
- Low power consumption
 - ~10mA standby/scanning
 - ~52mA receive voice
 - ~64mA transmit voice
- 144-BGA package (10mm x 10mm)

Applications

- License Free 2.4GHz Voice + Data
- Intercoms
- Access control and gate entry
- Two-way radio, PMR/LMR
- Wearable communications
- Wireless headsets

The evaluation board also includes additional circuits that can be used to evaluate the system performance of the SCT2400 in a typical radio implementation. These circuits include a 2.4GHz FEM, audio codec and audio power amplifier. The SCT2400 EVM can work independently and also can be controlled via a PC using a USB port.



SCT2400EVM

Resources Available

Website (some content requires registration)

- Product preview
- Datasheet
- Test guide and Customer Programming Suite (CPS) instructions
- Packet interface guide
- High resolution schematics
- High resolution overlays

Technical Portal (Contact CML for access)

- Customer Programming Suite (CPS) software
- Software updates



Wuxi Sicomm Communication Technologies Inc. is a CML Microsystems PLC Company and products are available through CML Microcircuits and its distributors. For information on this and other Sicomm products please contact your local CML Sales representative.



United Kingdom	tel: +44 (0) 1621 875500	email: sales@cmlmicro.com techsupport@cmlmicro.com
Singapore	tel: +65 62888129	email: sg.sales@cmlmicro.com sg.techsupport@cmlmicro.com
United States	tel: +1 336 744 5050 800 638 5577	email: us.sales@cmlmicro.com us.techsupport@cmlmicro.com

www.cmlmicro.com