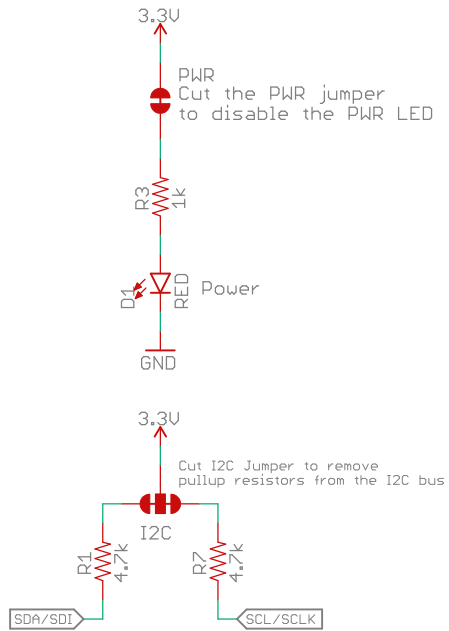


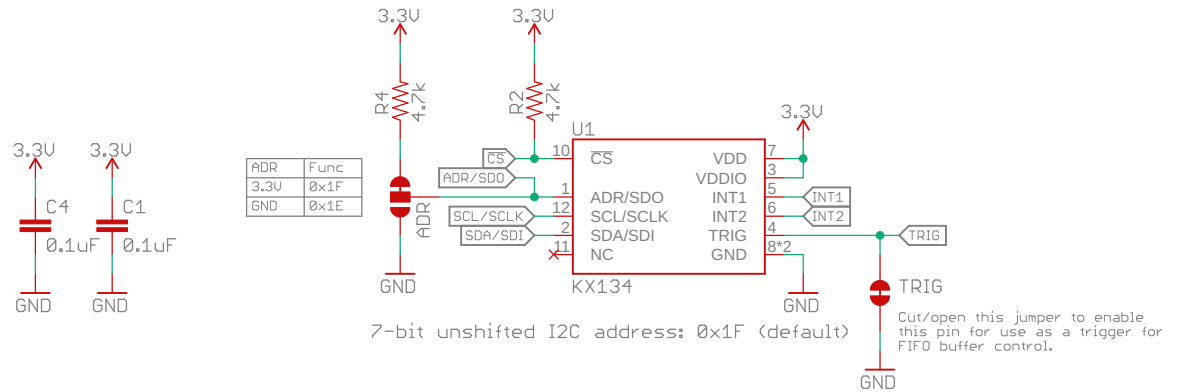
LED/I2C Jumper



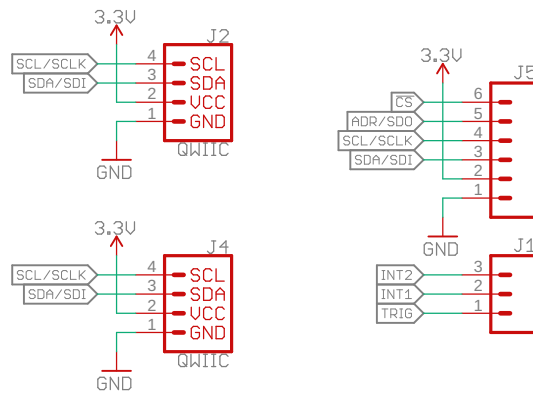
KX13X Accelerometer

VIN: 1.7-3.6V

This board has two versions, KX134 and KX132



Connections




open hardware



qwiic

Released under the Creative Commons
Attribution Share-Alike 4.0 License
<https://creativecommons.org/licenses/by-sa/4.0/>



TITLE: Qwiic_KX13X

Design by: Andy England

REV:
v10

Date: 4/19/2021 2:51 PM

Sheet: 1/1